

S6A0078

120 SEG / 34 COM DRIVER & CONTROLLER FOR DOT MATRIX LCD

June. 2000.

Ver. 0.0

Contents in this document are subject to change without notice. No part of this document may be reproduced or transmitted in any form or by any means, electronic or mechanical, for any purpose, without the express written permission of LCD Driver IC Team.

INTRODUCTION

S6A0078 is a dot matrix LCD driver & controller IC which is fabricated by low power CMOS technology. It can display 1, 2, or 4 lines with 5 x 8 or 6 x 8 dots format.

FUNCTIONS

- Character type dot matrix LCD driver & controller
- Internal driver: 34 common and 120 segment signal output
- Easy interface with 4-bit or 8-bit MPU
- Clock synchronized serial interface
- 5 x 8 dots matrix possible
- 6 x 8 dots matrix possible
- Bi-directional shift function
- All character reverse display
- Display shift per line
- Voltage converter for LCD drive voltage: 13V max (2 times/3 times)
- Various instruction functions
- Automatic power on reset

FEATURES

- Internal Memory
 - Character Generator ROM (CGROM): 9,600 bits (240 characters x 5 x 8 dot)
 - Character Generator RAM (CGRAM): 64 x 8 bits (8 characters x 5 x 8 dot)
 - Segment Icon RAM (SEGRAM): 16 x 8 bits (96 icons max.)
 - Display Data RAM (DDRAM): 96 x 8 bits (96 characters max.)
- Low power operation
 - Power supply voltage range: 2.7 - 5.5V (V_{DD})
 - LCD drive voltage range: 3.0 - 13.0V ($V_{DD} - V_5$)
- CMOS process
- Programmable duty cycle: 1/17, 1/33
- Internal oscillator with an external resistor
- Bare chip available

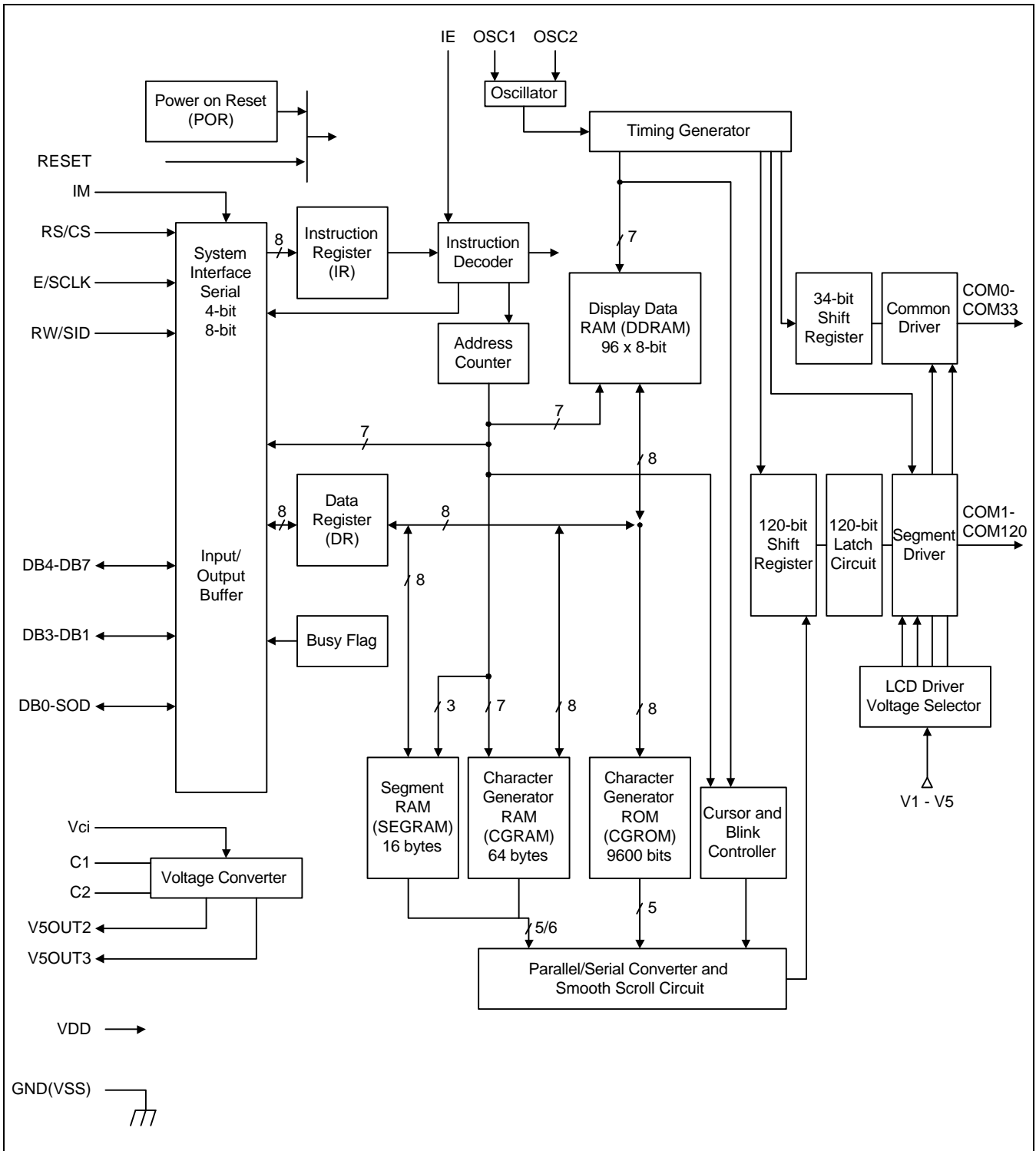
PROGRAMMABLE DUTY CYCLES**5-dot Font Width**

Display Line Numbers	Duty Ratio	Single-chip operation	
		Displayable Characters	Possible Icons
1	1/17	1 line of 48 characters	80
2	1/33	2 lines of 48 characters	80
4	1/33	4 lines of 24 characters	80

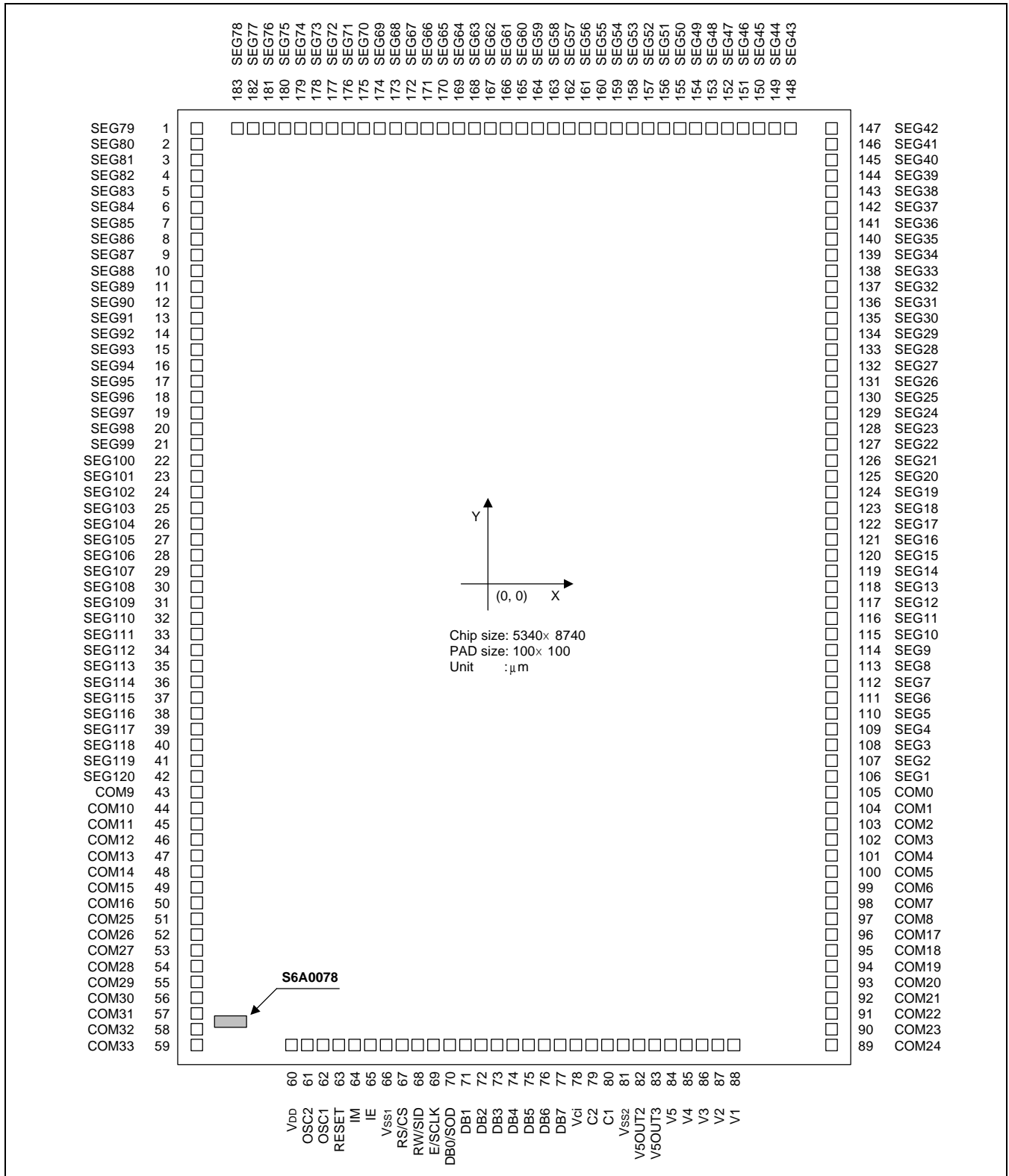
6-dot Font Width

Display Line Numbers	Duty Ratio	Single-chip operation	
		Displayable Characters	Possible Icons
1	1/17	1 line of 40 characters	96
2	1/33	2 lines of 40 characters	96
4	1/33	4 lines of 20 characters	96

BLOCK DIAGRAM



PAD CONFIGURATION



PAD CENTER COORDINATES

Table 1. Pad Location

Pad No.	Pad Name	Coordinate		Pad No.	Pad Name	Coordinate		Pad No.	Pad Name	Coordinate	
		X	Y			X	Y			X	Y
1	SEG79	-2504	3540	33	SEG111	-2504	-459	65	IE	-1125	-4119
2	SEG80	-2504	3415	34	SEG112	-2504	-584	66	VSSI	-1100	-4119
3	SEG81	-2504	3290	35	SEG113	-2504	-709	67	RS/CS	-875	-4119
4	SEG82	-2504	3165	36	SEG114	-2504	-834	68	RW/SID	-750	-4119
5	SEG83	-2504	3040	37	SEG115	-2504	-959	69	E/SCLK	-625	-4119
6	SEG84	-2504	2915	38	SEG116	-2504	-1084	70	DB0/SOD	-500	-4119
7	SEG85	-2504	2790	39	SEG117	-2504	-1209	71	DB1	-375	-4119
8	SEG86	-2504	2665	40	SEG118	-2504	-1334	72	DB2	-250	-4119
9	SEG87	-2504	2540	41	SEG119	-2504	-1459	73	DB3	-125	-4119
10	SEG88	-2504	2415	42	SEG120	-2504	-1584	74	DB4	0	-4119
11	SEG89	-2504	2290	43	COM9	-2504	-1822	75	DB5	125	-4119
12	SEG90	-2504	2165	44	COM10	-2504	-1947	76	DB6	250	-4119
13	SEG91	-2504	2040	45	COM11	-2504	-2072	77	DB7	375	-4119
14	SEG92	-2504	1915	46	COM12	-2504	-2197	78	Vci	500	-4119
15	SEG93	-2504	1790	47	COM13	-2504	-2322	79	C2	625	-4119
16	SEG94	-2504	1665	48	COM14	-2504	-2447	80	C1	750	-4119
17	SEG95	-2504	1540	49	COM15	-2504	-2572	81	VSS2	875	-4119
18	SEG96	-2504	1425	50	COM16	-2504	-2697	82	V5OUT2	1000	-4119
19	SEG97	-2504	1290	51	COM25	-2504	-2822	83	V5OUT3	1125	-4119
20	SEG98	-2504	1165	52	COM26	-2504	-2947	84	V5	1250	-4119
21	SEG99	-2504	1040	53	COM27	-2504	-3072	85	V4	1375	-4119
22	SEG100	-2504	915	54	COM28	-2504	-3197	86	V3	1500	-4119
23	SEG101	-2504	790	55	COM29	-2504	-3322	87	V2	1625	-4119
24	SEG102	-2504	665	56	COM30	-2504	-3447	88	V1	1750	-4119
25	SEG103	-2504	540	57	COM31	-2504	-3572	89	COM24	2504	-3822
26	SEG104	-2504	415	58	COM32	-2504	-3697	90	COM23	2504	-3697
27	SEG105	-2504	290	59	COM33	-2504	-3822	91	COM22	2504	-3572
28	SEG106	-2504	165	60	VDD	-1750	-4119	92	COM21	2504	-3447
29	SEG107	-2504	40	61	OSC2	-1625	-4119	93	COM20	2504	-3322
30	SEG108	-2504	-84	62	OSC1	-1500	-4119	94	COM19	2504	-3197
31	SEG109	-2504	-209	63	RESET	-1375	-4119	95	COM18	2504	-3072
32	SEG110	-2504	-334	64	IM	-1250	-4119	96	COM17	2504	-2947

Table 1. Pad Location (Continued)

Pad No.	Pad Name	Coordinate		Pad No.	Pad Name	Coordinate		Pad No.	Pad Name	Coordinate	
		X	Y			X	Y			X	Y
97	COM8	2504	-2822	130	SEG25	2504	1415	163	SEG58	312	4119
98	COM7	2504	-2697	131	SEG26	2504	1540	164	SEG59	187	4119
99	COM6	2504	-2572	132	SEG27	2504	1665	165	SEG60	62	4119
100	COM5	2504	-2447	133	SEG28	2504	1790	166	SEG61	-62	4119
101	COM4	2504	-2322	134	SEG29	2504	1915	167	SEG62	-187	4119
102	COM3	2504	-2197	135	SEG30	2504	2040	168	SEG63	-312	4119
103	COM2	2504	-2072	136	SEG31	2504	2165	169	SEG64	-437	4119
104	COM1	2504	-1947	137	SEG32	2504	2290	170	SEG65	-562	4119
105	COM0	2504	-1822	138	SEG33	2504	2415	171	SEG66	-687	4119
106	SEG91	2504	-1584	139	SEG34	2504	2540	172	SEG67	-812	4119
107	SEG2	2504	-1459	140	SEG35	2504	2665	173	SEG68	-937	4119
108	SEG3	2504	-1334	141	SEG36	2504	2790	174	SEG69	-1062	4119
109	SEG4	2504	-1209	142	SEG37	2504	2915	175	SEG70	-1187	4119
110	SEG5	2504	-1084	143	SEG38	2504	3040	176	SEG71	-1312	4119
111	SEG6	2504	-959	144	SEG39	2504	3165	177	SEG72	-1437	4119
112	SEG7	2504	-834	145	SEG40	2504	3290	178	SEG73	-1562	4119
113	SEG8	2504	-709	146	SEG41	2504	3415	179	SEG74	-1687	4119
114	SEG9	2504	-584	147	SEG42	2504	3540	180	SEG75	-1812	4119
115	SEG10	2504	-459	148	SEG43	2187	4119	181	SEG76	-1937	4119
116	SEG11	2504	-334	149	SEG44	2062	4119	182	SEG77	-2062	4119
117	SEG12	2504	-209	150	SEG45	1937	4119	183	SEG78	-2187	4119
118	SEG13	2504	-84	151	SEG46	1812	4119				
119	SEG14	2504	40	152	SEG47	1687	4119				
120	SEG15	2504	165	153	SEG48	1562	4119				
121	SEG16	2504	290	154	SEG49	1437	4119				
122	SEG17	2504	415	155	SEG50	1312	4119				
123	SEG18	2504	540	156	SEG51	1187	4119				
124	SEG19	2504	665	157	SEG52	1062	4119				
125	SEG20	2504	790	158	SEG53	937	4119				
126	SEG21	2504	915	159	SEG54	812	4119				
127	SEG22	2504	1040	160	SEG55	687	4119				
128	SEG23	2504	1165	161	SEG56	562	4119				
129	SEG24	2504	1290	162	SEG57	437	4119				

PAD DESCRIPTION

Table 2. Pad Description

PAD (No)	Input/ Output	Name	Description	Interface
VDD (60)	-	Power supply	for logical circuit (+3V, +5V)	Power supply
VSS1, VSS2 (66, 81)			0V (GND)	
V1-V5 (88-84)			Bias voltage level for LCD driving.	
Vci (78)			Input voltage to the voltage converter to generate LCD drive voltage (Vci = 2.5 - 4.5V).	
SEG1-SEG80 (106-183, 1-42)	Output	Segment output	Segment signal output for LCD drive.	LCD
COM0-COM33 (105-89, 43-59)	Output	Common output	Common signal output for LCD drive.	LCD
OSC1, OSC2 (61, 62)	Input (OSC1), Output (OSC2)	Oscillator	When use internal oscillator, connect external Rf resistor. If external clock is used, connect it to OSC1.	External resistor/oscillator (OSC1)
C1, C2 (80, 79)	Input	External capacitance input	To use the voltage converter (2 times/3 times), these pins must be connected to the external capacitance.	External capacitance
RESET (63)	Input	Reset pin	Initialized to low	-
IE (65)	Input	Select pin of instruction set	When IE = "High", Instruction set is selected as Table 6. When IE = "Low", Instruction set is selected as Table 10.	-
V5OUT2 (82)	Output	Two times converter output	The value of Vci is converted two times. To use three times converter, the same capacitance as that of C1-C2 should be connected here.	V5 capacitance
V5OUT3 (83)		Three times converter output	The value of Vci is converted three times.	V5
IM (64)	Input	Interface mode selection	Select Interface mode with the MPU. When IM = "Low": Serial mode, When IM = "High": 4-bit/8-bit bus mode.	-

Table 2. Pad Description (Continued)

PAD (No)	Input/Output	Name	Description	Interface
RS/CS (67)	Input	Register select/chip select	When bus mode, used as register selection input. When RS/CS = "High", data register is selected. When RS/CS = "Low", Instruction register is selected. When serial mode, used as chip selection input. When RS/CS = "Low", selected. When RS/CS = "High", not selected. (low access enable)	MPU
RW/SID (68)	Input	Read write/serial input data	When bus mode, used as read/write selection input. When RW/SID = "High", read operation. When RW/SID = "Low", write operation. When serial mode, used for data input pin.	MPU
E/SCLK (69)	Input	Read write enable/serial clock	When bus mode, used as read write enable signal. When serial mode, used as serial clock input pin.	MPU
DB0/SOD (70)	Input Output/Output	Data bus 0 bit/serial output data	When 8-bit bus mode, used as lowest bi-directional data bit. During 4-bit bus mode, open this pin. When serial mode, used as serial data output pin. If not in read operation, open this pin.	MPU
DB1-DB3 (71-73)	Input. Output	Data bus 1- 7	When 8-bit bus mode, used as low order bi-directional data bus. During 4-bit bus mode or serial mode, open these pins.	MPU
DB4-DB7 (74-77)			When 8-bit bus mode, used as high order bi-directional data bus. In case of 4-bit bus mode, used as both high and low order. DB7 used for Busy Flag output. During serial mode, open these pins.	MPU

FUNCTION DESCRIPTION

SYSTEM INTERFACE

This chip has all three kinds interface type with MPU: Serial, 4-bit bus and 8-bit bus. Serial and bus (4-bit/8-bit) is selected by IM input, and 4-bit bus and 8-bit bus is selected by DL bit in the instruction register. During read or write operation, two 8-bit registers are used. one is data register (DR), the other is instruction register (IR). The data register (DR) is used as temporary data storage place for being written into or read from DDRAM/CGRAM/SEGRAM, target RAM is selected by RAM address setting instruction. Each internal operation, reading from or writing into RAM, is done automatically. So to speak, after MPU reads DR data, the data in the next DDRAM/CGRAM/SEGRAM address is transferred into DR automatically. Also after MPU writes data to DR, the data in DR is transferred into DDRAM/CGRAM/SEGRAM automatically. The Instruction register (IR) is used only to store instruction code transferred from MPU. MPU cannot use it to read instruction data. To select register, use RS/CS input pin in 4-bit/8-bit bus mode (IM = "High") or RS bit in serial mode (IM = "Low").

RS	R/W	Operation
0	0	Instruction Write operation (MPU writes Instruction code into IR)
0	1	Read busy flag (DB7) and address counter (DB0-DB6)
1	0	Data write operation (MPU writes data into DR)
1	1	Data read operation (MPU reads data from DR)

BUSY FLAG (BF)

When BF = "High", it indicates that the internal operation is being processed. So during this time the next instruction cannot be accepted. BF can be read, when RS = low and R/W = high (read instruction operation), through DB7 Before executing the next instruction, be sure that BF is not high.

DISPLAY DATA RAM (DDRAM)

DDRAM stores display data of maximum 96 x 8 bits (96 characters). DDRAM address is set in the address counter (AC) as a hexadecimal number. (refer to Figure 1)

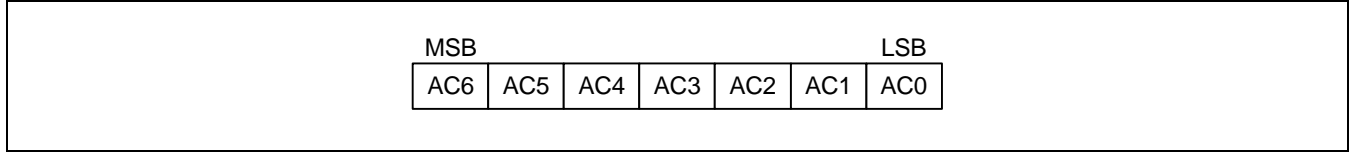


Figure 1. DDRAM Address

Display of 5-dot Font Width Character

5-dot 1-line Display

In case of 1-line display with 5-dot font, the address range of DDRAM is 00H-5FH (Refer to Figure 2).

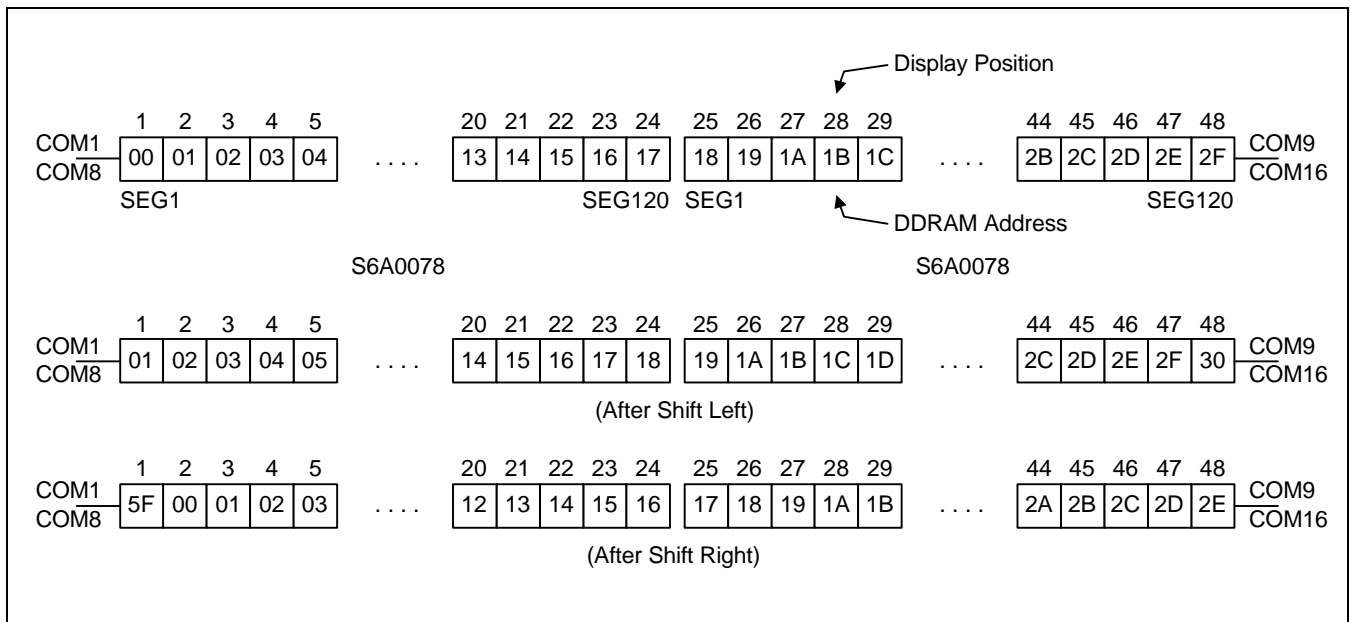


Figure 2. 1-line X 48ch. Display

5-dot 2-line Display

In case of 2-line display with 5-dot font, the address range of DDRAM is 00H-2FH, 40H-6FH (refer to Figure 3).

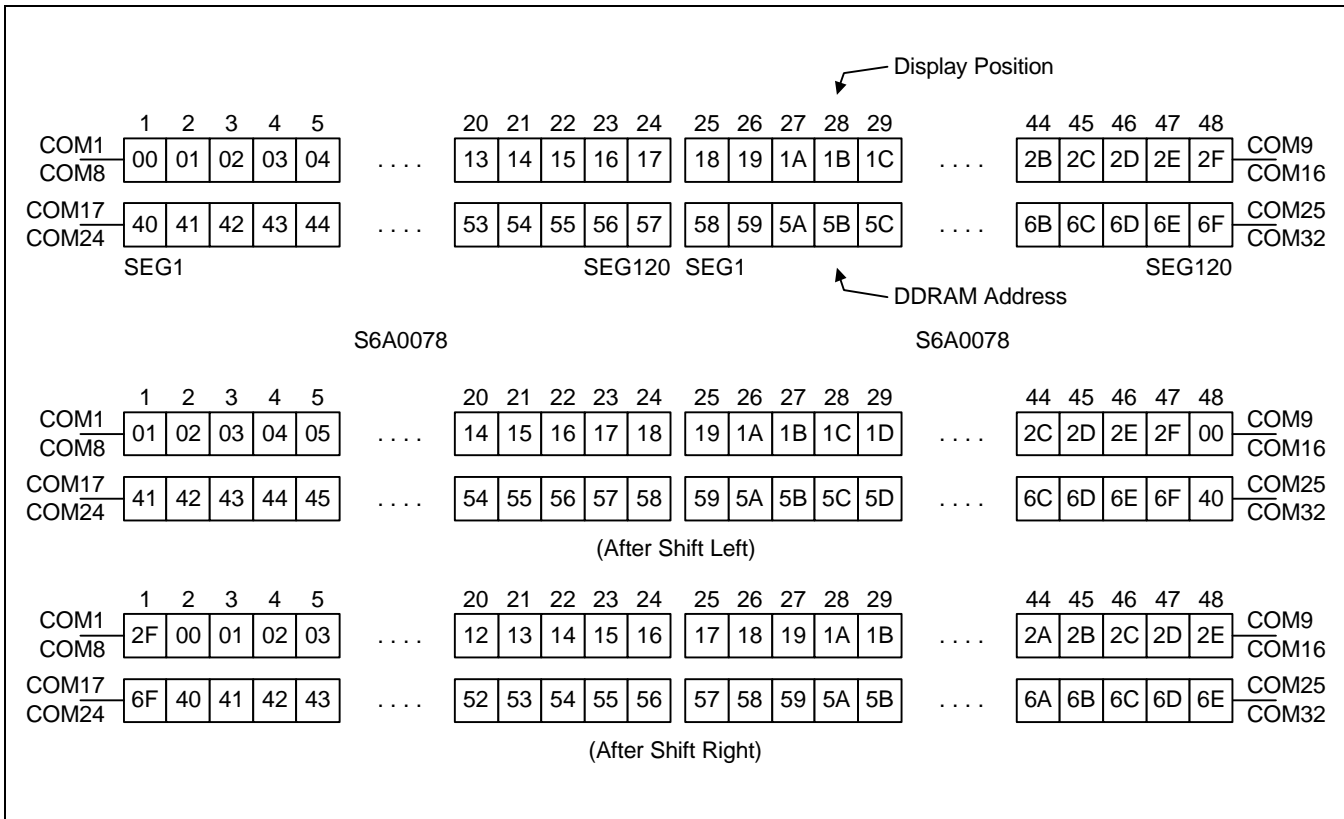


Figure 3. 2-line X 48ch. Display (5-dot Font Width)

5-dot 4-line Display

In case of 4-line display with 5-dot font, the address range of DDRAM is 00H-17H, 20H-37H, 40H-57H, 60H-77H (refer to Figure 4).

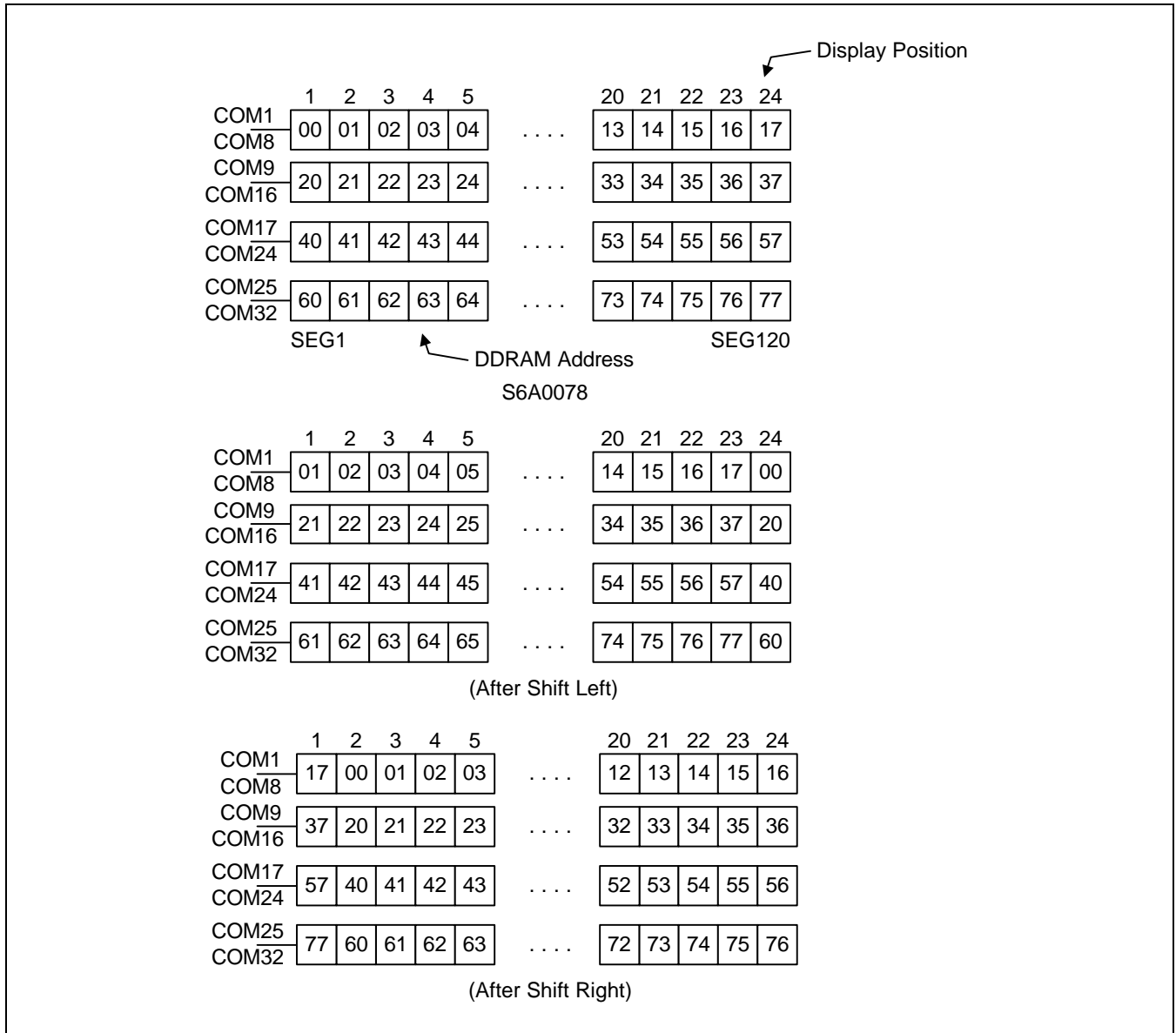


Figure 4. 4-line X 24ch. Display (5-dot Font Width)

Display of 6-dot Font Width Character

6-dot 1-line Display

In case of 1-line display with 6-dot font, the address range of DDRAM is 00H-5FH (refer to Figure 5).

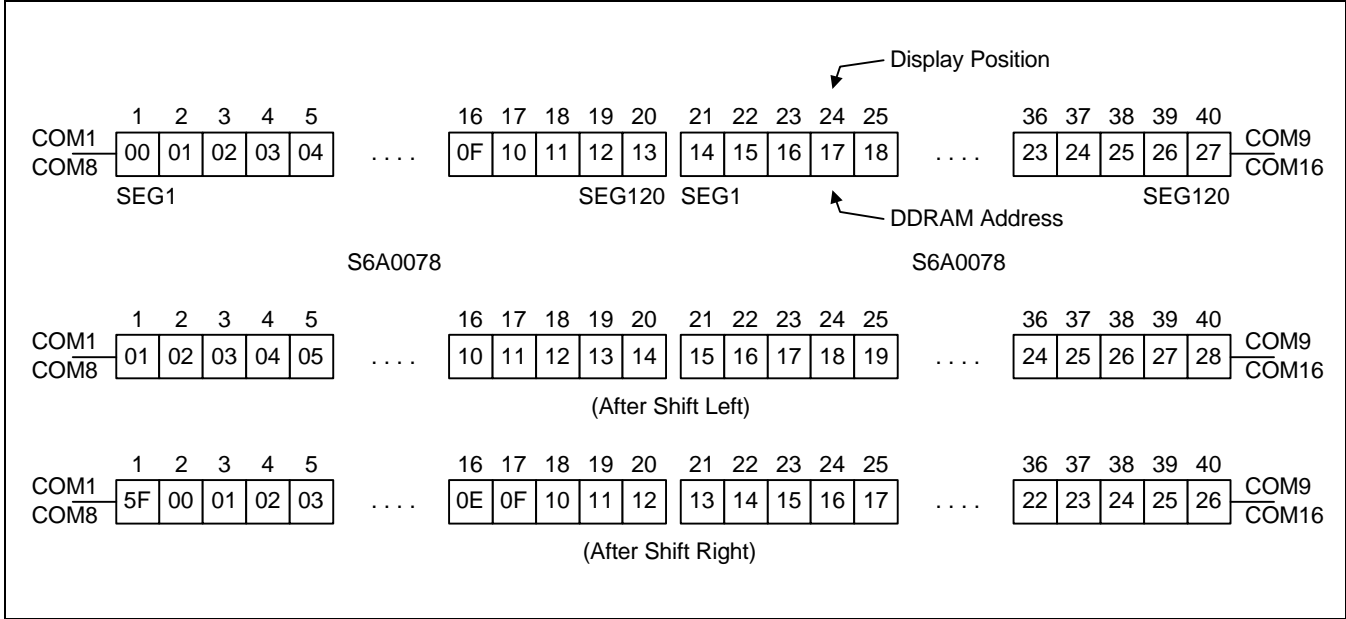


Figure 5. 1-line X 40ch. Display

6-dot 2-line Display

In case of 2-line display with 6-dot font, the address range of DDRAM is 00H-2FH, 40H-6FH (refer to Figure 6).

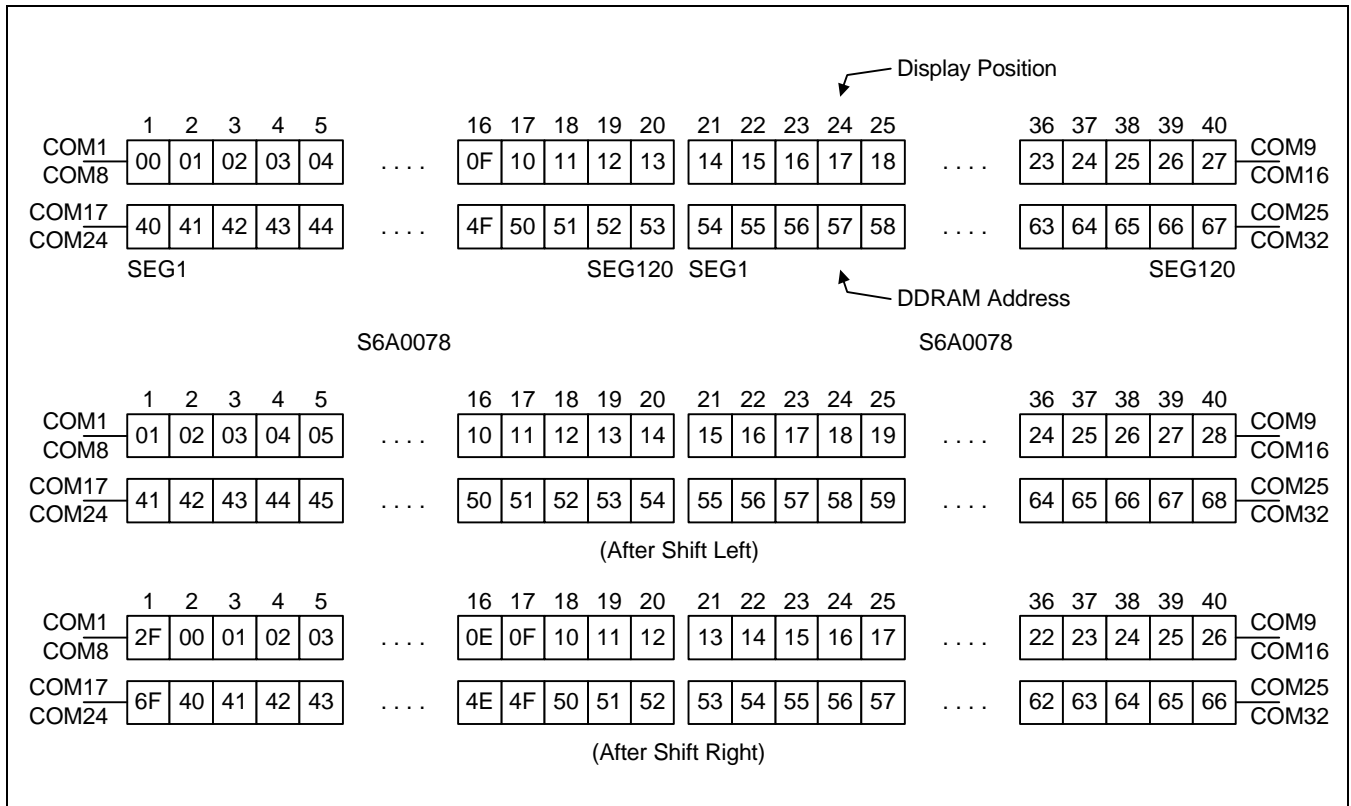


Figure 6. 2-line X 40ch. Display (6-dot Font width)

6-dot 4-line Display

In case of 4-line display with 6-dot font, the address range of DDARM is 00H-17H, 20H-37H, 40H-57H, 60H-77H (refer to Figure 7).

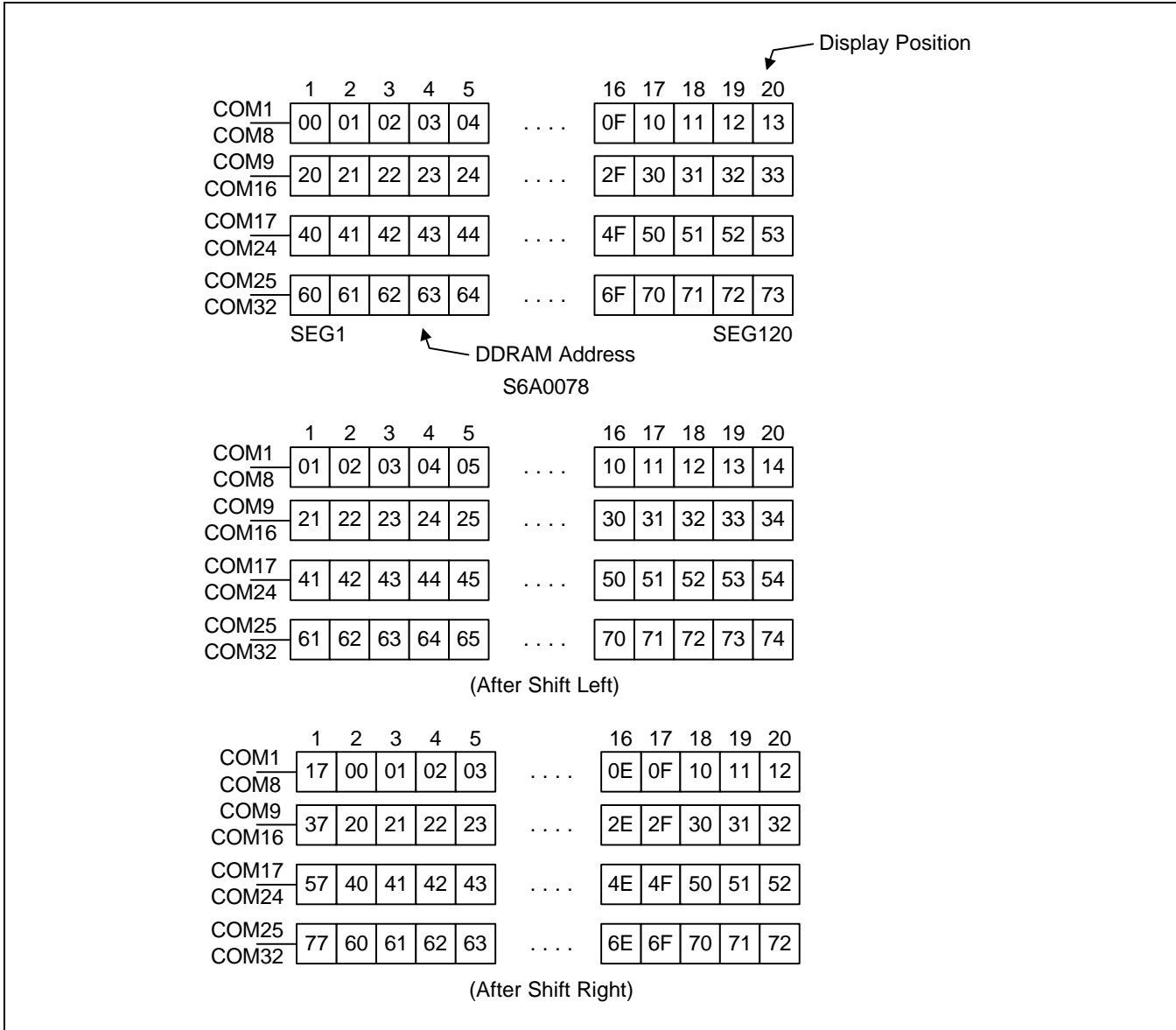


Figure 7. 4-line X 20ch. Display (6-dot Font Width)

TIMING GENERATION CIRCUIT

Timing generation circuit generates clock signals for the internal operations.

ADDRESS COUNTER (AC)

Address Counter (AC) stores DDRAM/CGRAM/SEGRAM address, transferred from IR. After writing into (reading from) DDRAM/CGRAM/SEGRAM, AC is automatically increased (decreased) by 1. When RS = "Low" and R/W = "High", AC can be read through DB0-DB6

CURSOR/BLINK CONTROL CIRCUIT

It controls cursor/blink ON/OFF and black/white inversion at cursor position.

LCD DRIVER CIRCUIT

LCD Driver circuit has 34 common and 120 segment signals for LCD driving. Data from SEGRAM/CGRAM/CGROM is transferred to 120-bit segment latch serially, and then it is stored to 120-bit shift latch. When each common is selected by 34-bit common register, segment data also output through segment driver from 100-bit segment latch. In case of 1-line display mode, COM0-COM17 have 1/17 duty, and in 2-line or 4-line mode, COM0-COM33 have 1/33 duty ratio.

CGROM (CHARACTER GENERATOR ROM)

CGROM has 5 × 8-dot 240 character pattern

CGRAM (CHARACTER GENERATOR RAM)

CGRAM has up to 5 × 8-dot 8 characters. By writing font data to CGRAM, user defined character can be used (refer to Table 4).

5x8 Dot Character Pattern

Table 4. Relationship between Character Code (DDRAM) and Character Pattern (CGRAM)

Character Code (DDRAM data)								CGRAM Address			CGRAM Data								Pattern Number				
D7	D6	D5	D4	D3	D2	D1	D0	A5	A4	A3	A2	A1	A0	P7	P6	P5	P4	P3		P2	P1	P0	
0	0	0	0	x	0	0	0	0	0	0	0	0	0	B1	B0	x	0	1	1	1	0	Pattern 1	
													1				1	0	0	0	1		
												1	0				1	0	0	0	1		
												0	1	1				1	1	1	1		1
												1	0	0				1	0	0	0		1
												1	0	1				1	0	0	0		1
												1	1	0				1	0	0	0		1
												1	1	1				0	0	0	0	0	
0	0	0	0	x	1	1	1	1	1	1	0	0	0	B1	B0	x	1	0	0	0	1	Pattern 8	
													1				1	0	0	0	1		
												1	0				1	0	0	0	1		
												0	1	1				1	1	1	1		1
												1	0	0				1	0	0	0		1
												1	0	1				1	0	0	0		1
												1	1	0				1	0	0	0		1
												1	1	1				0	0	0	0	0	

6 x 8 Dots Character Pattern

Character Code (DDRAM data)								CGRAM Address						CGRAM Data								Pattern Number
D7	D6	D5	D4	D3	D2	D1	D0	A5	A4	A3	A2	A1	A0	P7	P6	P5	P4	P3	P2	P1	P0	
0	0	0	0	x	0	0	0	0	0	0	0	0	0	B1	B0	0	0	1	1	1	0	Pattern 1
											0	0	1			0	1	0	0	0	1	
											0	1	0			0	1	0	0	0	1	
				.							0	1	1			.	0	1	1	1	1	
				.							1	0	0			.	0	1	0	0	0	
				.							1	0	1			.	0	1	0	0	0	
				.							1	1	0			.	0	1	0	0	0	
				.							1	1	1			.	0	0	0	0	0	
				
0	0	0	0	x	1	1	1	1	1	1	0	0	0	B1	B0	0	1	0	0	0	1	Pattern 8
											0	0	1			0	1	0	0	0	1	
											0	1	0			0	1	0	0	0	1	
				.							0	1	1			.	0	1	1	1	1	
				.							1	0	0			.	0	1	0	0	0	
				.							1	0	1			.	0	1	0	0	0	
				.							1	1	0			.	0	1	0	0	0	
				.							1	1	1			.	0	0	0	0	0	

- When BE (Blink Enable bit) = "High", blink is controlled by B1 and B0 bit.
 In case of 5-dot font width, when B1 = "1", enabled dots of P0-P4 will blink, and when B1 = "0" and B0 = "1", enabled dots in P4 will blink, when B1 = "0" and B0 = "0", blink will not happen.
 In case of 6-dot font width, when B1 = "1", enabled dots of P0-P5 will blink, and when B1 = "0" and B0 = "1", enabled dots of P5 will blink, when B1 = "0" and B0 = "0", blink will not happen.
- "X": Don't care

SEGRAM (SEGMENT ICON RAM)

SEGRAM has segment control data and segment pattern data. During 1-line display mode, COM0 (COM17) makes the data of SEGRAM enable to display icons. When used in 2/4-line display mode COM0 (COM33) does that. Its higher 2-bits are blinking control data, and lower 6-bits are pattern data (refer to Table 5 and Figure 7).

Table 5. Relationship Between SEGRAM Address and Display Pattern

SEGRAM Address				SEGRAM Data Display Pattern															
				5-dot Font Width								6-dot Font Width							
A3	A2	A1	A0	D7	D6	D5	D4	D3	D2	D1	D0	D7	D6	D5	D4	D3	D2	D1	D0
0	0	0	0	B1	B0	X	S1	S2	S3	S4	S5	B1	B0	S1	S2	S3	S4	S5	S6
0	0	0	1	B1	B0	X	S6	S7	S8	S9	S10	B1	B0	S7	S8	S9	S10	S11	S12
0	0	1	0	B1	B0	X	S11	S12	S13	S14	S15	B1	B0	S13	S14	S15	S16	S17	S18
0	0	1	1	B1	B0	X	S16	S17	S18	S19	S20	B1	B0	S19	S20	S21	S22	S23	S24
0	1	0	0	B1	B0	X	S21	S22	S23	S24	S25	B1	B0	S25	S26	S27	S28	S29	S30
0	1	0	1	B1	B0	X	S26	S27	S28	S29	S30	B1	B0	S31	S32	S33	S34	S35	S36
0	1	1	0	B1	B0	X	S31	S32	S33	S34	S35	B1	B0	S37	S38	S39	S40	S41	S42
0	1	1	1	B1	B0	X	S36	S37	S38	S39	S40	B1	B0	S43	S44	S45	S46	S47	S48
1	0	0	0	B1	B0	X	S41	S42	S43	S44	S45	B1	B0	S49	S50	S51	S52	S53	S54
1	0	0	1	B1	B0	X	S46	S47	S48	S49	S50	B1	B0	S55	S56	S57	S58	S59	S60
1	0	1	0	B1	B0	X	S51	S52	S53	S54	S55	B1	B0	S61	S62	S63	S64	S65	S66
1	0	1	1	B1	B0	X	S56	S57	S58	S59	S60	B1	B0	S67	S68	S69	S70	S71	S72
1	1	0	0	B1	B0	X	S61	S62	S63	S64	S65	B1	B0	S73	S74	S75	S76	S77	S78
1	1	0	1	B1	B0	X	S66	S67	S68	S69	S70	B1	B0	S79	S80	S81	S82	S83	S84
1	1	1	0	B1	B0	X	S71	S72	S73	S74	S75	B1	B0	S85	S86	S87	S88	S89	S90
1	1	1	1	B1	B0	X	S76	S77	S78	S79	S80	B1	B0	S91	S92	S93	S94	S95	S96

- B1, B0: Blinking control bit

Control Bit	Blinking Port	
BE B1 B0	5-dot font width	6-dot font width
0 X X	No blink	No blink
1 0 0	No blink	No blink
1 0 1	D4	D5
1 1 X	D4 - D0	D5 - D0

- S1-S80: Icon pattern ON / OFF in 5-dot font width
S1-S96: Icon pattern ON / OFF in 6-dot font width
- "X": Don't care

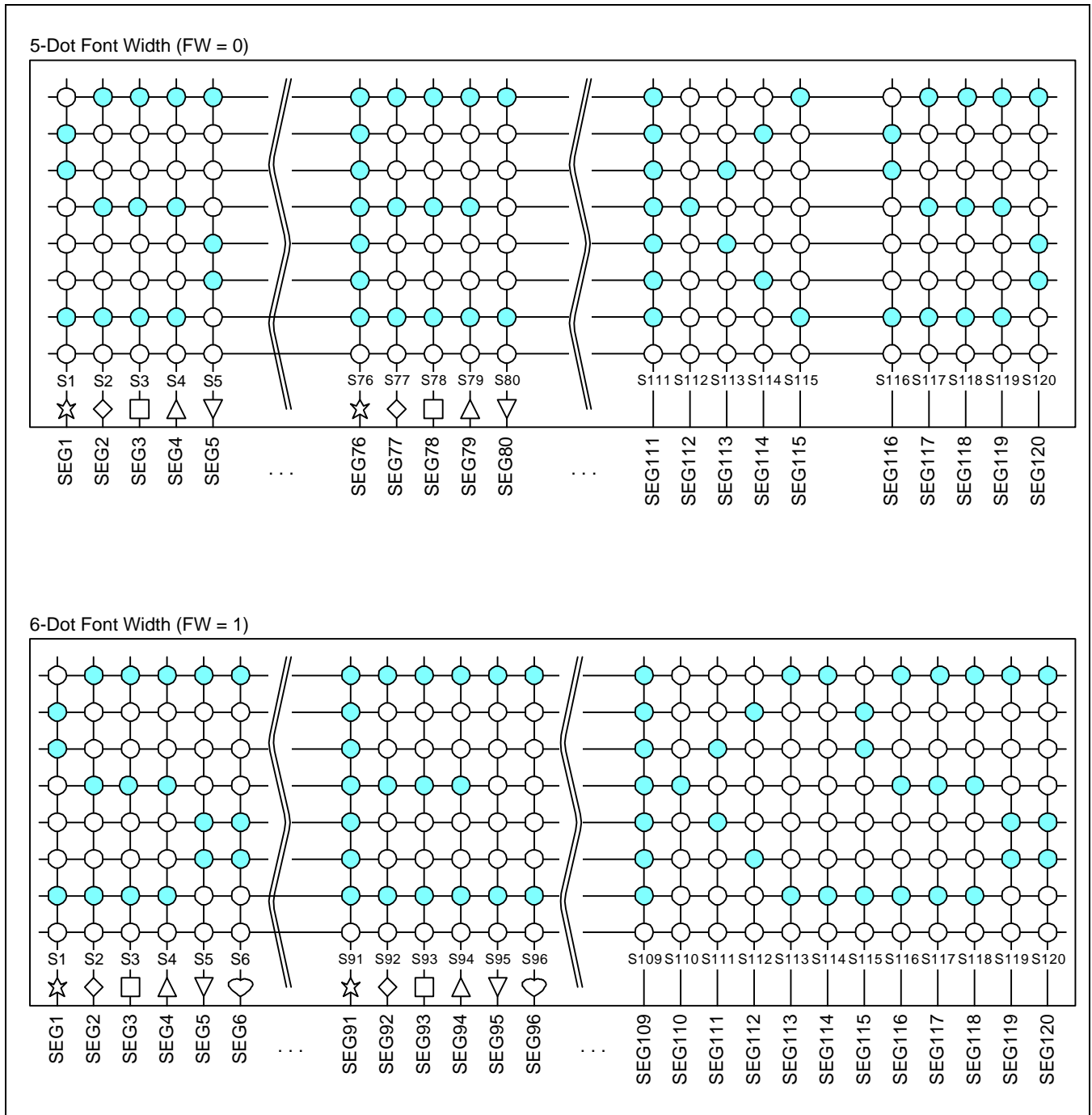


Figure 7. Relationship between SEGRAM and Segment Display

INSTRUCTION DESCRIPTION

OUTLINE

To overcome the speed difference between internal clock of S6A0078 and MPU clock, S6A0078 performs internal operation by storing control information to IR or DR. The internal operation is determined according to the signal from MPU, composed of read/write and data bus. (refer to Table 6, 7) Instruction can be divided largely four kinds,

- S6A0078 function set instructions (set display methods, set data length, etc.)
- Address set instructions to internal RAM
- Data transfer instructions with internal RAM
- Others .

The address of internal RAM is automatically increased or decreased by 1. When IE = "High", S6A0078 is operated according to instruction set 1 (Table 6) and When IE = "Low", S6A0078 is operated according to instruction set 2 (Table 7).

NOTE: During internal operation, busy flag (DB7) is read high. Busy flag check must precede the next instruction.

INSTRUCTION DESCRIPTION 1 (IE = "HIGH")

Table 6. Instruction Set 1

Instruction	RE	Instruction Code										Description	Execution Time (fosc = 270kHz)	
		RS	R/W	DB7	DB6	DB5	DB4	DB3	DB2	DB1	DB0			
Clear display	X	0	0	0	0	0	0	0	0	0	0	1	Write "20H" to DDRAM. and set DDRAM address to "00H" from AC.	1.53ms
Return home	0	0	0	0	0	0	0	0	0	0	1	X	Set DDRAM address to "00H" from AC and return cursor to its original position if shifted. The contents of DDRAM are not changed.	1.53ms
Power down mode	1	0	0	0	0	0	0	0	0	0	1	PD	Set power down mode bit. PD = "1" :power down mode set, PD = "0" :power down mode disable	39μs
Entry mode set	0	0	0	0	0	0	0	0	0	1	I/D	S	Assign cursor moving direction. I/D = "1": increment, I/D = "0": decrement and display shift enable bit. S = "1": make display shift of the enabled lines by the DS4 - DS1 bits in the shift enable instruction. S = "0": display shift disable	39μs
	1	0	0	0	0	0	0	0	0	1	1	BID	Segment bi-direction function. BID = "0": Seg1 → Seg80, BID = "1": Seg80 → Seg1.	
Display on/off control	0	0	0	0	0	0	0	0	1	D	C	B	Set display/cursor/blink on/off D = "1": display on, D = "0": display off, C = "1": cursor on, C = "0": cursor off, B = "1": blink on, B = "0": blink off.	39μs

Table 6. Instruction Set 1 (Continued)

Instruction	RE	Instruction Code										Description	Execution Time (fosc = 270kHz)
		RS	R/W	DB7	DB6	DB5	DB4	DB3	DB2	DB1	DB0		
Extended function set	1	0	0	0	0	0	0	1	FW	B/W	NW	Assign font width, black/white inverting of cursor, and 4-line display mode control bit. FW = "1": 6-dot font width, FW = "0": 5-dot font width, B/W = "1": black/white inverting of cursor enable, B/W = "0": black/white inverting of cursor disable NW = "1" : 4-line display mode, NW = "0" : 1-line or 2-line display mode.	39μs
Cursor or display shift	0	0	0	0	0	0	1	S/C	R/L	X	X	Cursor or display shift. S/C = "1": display shift, S/C = "0": cursor shift, R/L = "1": shift to right, R/L = "0": shift to left.	39μs
Shift enable	1	0	0	0	0	0	1	DS4	DS3	DS2	DS1	(when DH = "1") Determine the line for display shift DS1 = "1/0": 1st line display shift enable/disable DS2 = "1/0": 2nd line display shift enable/disable DS3 = "1/0": 3rd line display shift enable/disable DS4 = "1/0": 4th line display shift enable/disable.	39μs
Scroll enable	1	0	0	0	0	0	1	HS4	HS3	HS2	HS1	(when DH = "0") Determine the line for horizontal smooth scroll. HS1 = "1/0": 1st line dot scroll enable/disable HS2 = "1/0": 2nd line dot scroll enable/disable HS3 = "1/0": 3rd line dot scroll enable/disable HS4 = "1/0": 4th line dot scroll enable/disable.	39μs

Table 6. Instruction Set 1 (Continued)

Instruction	RE	Instruction Code										Description	Execution Time (fosc = 270kHz)
		RS	R/W	DB7	DB6	DB5	DB4	DB3	DB2	DB1	DB0		
Function Set	0	0	0	0	0	1	DL	N	RE (0)	DH	REV	Set interface data length (DL = "1": 8-bit, DL = "0": 4-bit), numbers of display line when NW = "0", (N = "1": 2-line, N = "0": 1-line), extension register, RE ("0"), shift/scroll enable DH = "1": display shift enable DH = "0": dot scroll enable. reverse bit REV = "1": reverse display, REV = "0": normal display.	39μs
	1	0	0	0	0	1	DL	N	RE (1)	BE	0	Set DL, N, RE ("1") and CGRAM/SEGRAM blink enable (BE) BE = "1/0": CGRAM/SEGRAM blink enable/disable	39μs
Set CGRAM address	0	0	0	0	1	AC5	AC4	AC3	AC2	AC1	AC0	Set CGRAM address in address counter.	39μs
Set SEGRAM address	1	0	0	0	1	X	X	AC3	AC2	AC1	AC0	Set SEGRAM address in address counter.	39μs
Set DDRAM address	0	0	0	1	AC6	AC5	AC4	AC3	AC2	AC1	AC0	Set DDRAM address in address counter.	39μs
Set scroll quantity	1	0	0	1	X	SQ 5	SQ 4	SQ 3	SQ 2	SQ 1	SQ 0	Set the quantity of horizontal dot scroll.	39μs
Read busy flag and address	X	0	1	BF	AC6	AC5	AC4	AC3	AC2	AC1	AC0	Can be known whether during internal operation or not by reading BF. The contents of address counter can also be read. BF = "1": busy state, BF = "0": ready state.	0μs
Write data	X	1	0	D7	D6	D5	D4	D3	D2	D1	D0	Write data into internal RAM (DDRAM / CGRAM / SEGRAM).	43μs
Read data	X	1	1	D7	D6	D5	D4	D3	D2	D1	D0	Read data from internal RAM (DDRAM / CGRAM / SEGRAM).	43μs

NOTES:

- When an MPU program with busy flag (DB7) checking is mode, 1/2 fosc (is necessary) for executing the next instruction by the "E" signal after the busy flag (DB7) goes to "Low"
- "X" don't care

Display Clear

RS	R/W	DB7	DB6	DB5	DB4	DB3	DB2	DB1	DB0
0	0	0	0	0	0	0	0	0	1

Clear all the display data by writing "20H" (space code) to all DDRAM address, and set DDRAM address to "00H" into AC (address counter). Return cursor to the original status, namely, bring the cursor to the left edge on first line of the display. Make entry mode increment (I/D = "1").

Return Home: (RE = 0)

RS	R/W	DB7	DB6	DB5	DB4	DB3	DB2	DB1	DB0
0	0	0	0	0	0	0	0	1	X

Return Home is cursor return home instruction. Set DDRAM address to "00H" into the address counter. Return cursor to its original site and return display to its original status, if shifted. Contents of DDRAM does not change.

Power Down Mode Set: (RE = 1)

RS	R/W	DB7	DB6	DB5	DB4	DB3	DB2	DB1	DB0
1	0	0	0	0	0	0	0	1	PD

Power down mode enable bit set instruction.

When PD = "High", it makes S6A0078 suppress current consumption except the current needed for data storage by executing next three functions.

- Make the output value of all the COM/SEG ports VDD
- Make the COM/SEG output value of extension driver VDD by setting D output to "High" and M output to "Low"
- Disable voltage converter to remove the current through the divide resistor of power supply.

You can use this instruction as power sleep mode. When PD = "Low", power down mode becomes disabled.

Entry Mode Set

(RE = 0)

RS	R/W	DB7	DB6	DB5	DB4	DB3	DB2	DB1	DB0
0	0	0	0	0	0	0	1	I/D	S

Set the moving direction of cursor and display.

I/D: Increment/decrement of DDRAM address (cursor or blink)

When I/D = "High", cursor/blink moves to right and DDRAM address is increased by 1.

When I/D = "Low", cursor/blink moves to left and DDRAM address is decreased by 1.

- CGRAM/SEGRAM operates the same as DDRAM, when read from or write to CGRAM/SEGRAM.

When S = "High", after DDRAM write, the display of enabled line by DS1-DS4 bits in the shift enable instruction is shifted to the right (I/D = "0") or to the left (I/D = "1"). But it will seem as if the cursor does not move. When S = "Low", or DDRAM read, or CGRAM/SEGRAM read/write operation, shift of display like this function is not performed.

(RE = 1)

RS	R/W	DB7	DB6	DB5	DB4	DB3	DB2	DB1	DB0
0	0	0	0	0	0	0	1	1	BID

Set the data shift direction of segment in the application set.

BID: Data shift direction of segment

When BID = "Low", segment data shift direction is set to normal order from SEG1 to SEG120.

When BID = "High", segment data shift direction is set to reverse from SEG120 to SEG1

By using this instruction, you can raise the efficiency of application board area.

- The BID setting instruction is recommended to be set at the same time level of function set instruction.

- DB1 bit must be set to "1".

Display ON/OFF Control (RE = 0)

RS	R/W	DB7	DB6	DB5	DB4	DB3	DB2	DB1	DB0
0	0	0	0	0	0	1	D	C	B

Control display/cursor/blink ON/OFF 1 bit register.

- D:** Display ON/OFF control bit
 When D = "High", entire display is turned on.
 When D = "Low", display is turned off, but display data is remained in DDRAM.
- C:** Cursor ON/OFF control bit
 When C = "High", cursor is turned on.
 When C = "Low", cursor is disappeared in current display, but I/D register remains its data.
- B:** Cursor blink ON/OFF control bit
 When B = "High", cursor blink is on, that performs alternate between all the high data and display character at the cursor position. If fosc has 270kHz frequency, blinking has 370 ms interval.
 When B = "Low", blink is off.

Extended Function Set (RE = 1)

RS	R/W	DB7	DB6	DB5	DB4	DB3	DB2	DB1	DB0
0	0	0	0	0	0	1	FW	B/W	NW

- FW:** Font width control
 When FW = "High", display character font width is assigned to 6-dot and execution time becomes 6/5 times than that of 5-dot font width.
 The user font, specified in CGRAM, is displayed into 6-dot font width, bit-5 to bit-0, including the leftmost space bit of CGRAM.(refer to Figure 7)
 When FW = "Low", 5-dot font width is set.
- B/W:** Black/White Inversion enable bit
 When B/W = "High", black/white inversion at the cursor position is set. In this case C/B bit of display ON/OFF control instruction becomes don't care condition. If fosc has frequency of 270kHz, inversion has 370 ms intervals.
- NW:** 4 Line mode enable bit
 When NW = "High", 4 line display mode is set. In this case N bit of function set instruction becomes don't care condition.

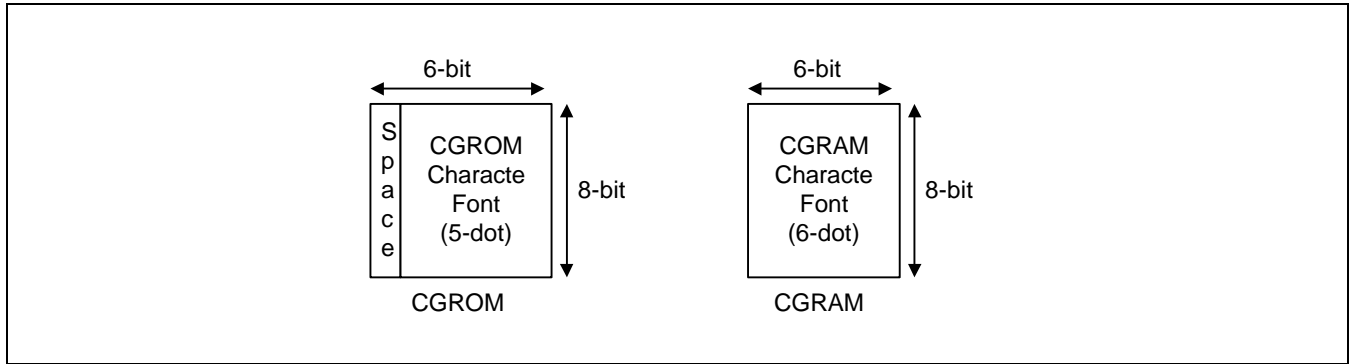


Figure 9. 6-dot font width CGROM/CGRAM

Cursor or Display Shift (RE = 0)

RS	R/W	DB7	DB6	DB5	DB4	DB3	DB2	DB1	DB0
0	0	0	0	0	1	S/C	R/L	X	X

Without writing or reading of display data, shift right/left cursor position or display. This instruction is used to correct or search display data. (refer to Table 7) during 2-line mode display, cursor moves to the 2nd line after 48th digit of 1st line. When 4-line mode, cursor moves to the next line, only after every 24th digit of the current line. Note that display shift is performed simultaneously in all the line enabled by DS1-DS4 in the shift enable instruction. When displayed data is shifted repeatedly, each line shifted individually. When display shift is performed, the contents of address counter are not changed. During low power consumption mode, display shift may not be performed normally.

Table 7. Shift Patterns According to S/C and R/L Bits

S/C	R/L	Operation
0	0	Shift cursor to the left, address counter is decreased by 1
0	1	Shift cursor to the right, address counter is increased by 1
1	0	Shift all the display to the left, cursor moves according to the display
1	1	Shift all the display to the right, cursor moves according to the display

Shift/Scroll Enable (RE = 1)

(DH = 0)

RS	R/W	DB7	DB6	DB5	DB4	DB3	DB2	DB1	DB0
0	0	0	0	0	1	HS4	HS3	HS2	HS1

HS: Horizontal scroll per line enable

This instruction makes valid dot shift by a display line unit. HS1, HS2, HS3 and HS4 indicate each line to be dot scrolled, and each scroll is performed individually in each line.

If you want to scroll the line in 1-line display mode or the 1st line in 2-line display mode, set HS1 and HS2 to "High". If the 2nd line scroll is needed in 2-line mode, set HS3 and HS4 to "High".

(refer to Table 8)

(DH = 1)

RS	R/W	DB7	DB6	DB5	DB4	DB3	DB2	DB1	DB0
0	0	0	0	0	1	DS4	DS3	DS2	DS1

DS: Display shift per line enable

This instruction selects shifting line to be shifted according to each line mode in display shift right/left instruction.

DS1, DS2, DS3 and DS4 indicate each line to be shifted, and each shift is performed individually in each line. If you set DS1 and DS2 to "High" (enable) in 2 line mode, only the 1st line is shifted and the 2nd line is not shifted. When only DS1 = "High", only the half of the 1st line is shifted. If all the DS bits (DS1 to DS4) are set to "Low" (disable), no display is shifted.

Table 8. Relationship Between DS and COM Signal

Enable Bit	Enabled Common Signals During Shift	Description
HS1/DS1	COM1 - COM8	The part of display line that corresponds to enabled common signal can be shifted.
HS2/DS2	COM9 - COM16	
HS3/DS3	COM17 - COM24	
HS4/DS4	COM25 - COM32	

Function Set

(RE = 0)

RS	R/W	DB7	DB6	DB5	DB4	DB3	DB2	DB1	DB0
0	0	0	0	1	DL	N	RE(0)	DH	REV

- DL:** Interface data length control bit
 When DL = "High", it means 8-bit bus mode with MPU.
 When DL = "Low", it means 4-bit bus mode with MPU. So to speak, DL is a signal to select 8-bit or 4-bit bus mode.
 When 4-bit bus mode, it needs to transfer 4-bit data by two times.
- N:** Display line number control bit It is variable only when NW bit of extended function set instruction is Low.
 When N = "Low", it means 1-line display mode.
 When N = "High", 2-line display mode is set.
 When NW = "High", N bit is invalid, it means 4-line mode independent of N bit.
- RE:** Extended function registers enable bit
 At this instruction, RE must be "Low".
- DH:** Display shift enable selection bit.
 When DH = "High", display shift per line becomes enable.
 When DH = "Low", smooth dot scroll becomes enable.
 This bit can be accessed only when IE pin input is "High".
- REV:** Reverse enable bit
 When REV = "High", all the display data are reversed. Namely, all the white dots become black and black dots become white.
 When REV = "Low", the display mode set normal display.

(RE = 1)

RS	R/W	DB7	DB6	DB5	DB4	DB3	DB2	DB1	DB0
0	0	0	0	1	DL	N	RE(1)	BE	0

- DL:** Interface data length control bit
 When DL = "High", it means 8-bit bus mode with MPU.
 When DL = "Low", it means 4-bit bus mode with MPU. So to speak, DL is a signal to select 8-bit or 4-bit bus mode.
 When 4-bit bus mode, it needs to transfer 4-bit data by two times.
- N:** Display line number control bit
 It is variable only when NW bit of extended function set instruction is low.
 When N = "Low", it means 1-line display mode.
 When N = "High", 2-line display mode is set.
 When NW = "High", N bit is invalid, it means 4-line mode independent of N bit.
- RE:** Extended function registers enable bit
 When RE = "High", extended function set registers, SEGRAM address set registers, BID bit, HS/DS bits of shift/scroll enable instruction and BE bits of function set register can be accessed.
- BE:** CGRAM/SEGRAM data blink enable bit
 If BE is "High", It makes user font of CGRAM and segment of SEGRAM blinking. The quantity of blink is assigned the highest 2 bit of CGRAM/SEGRAM.

Set CGRAM Address (RE = 0)

RS	R/W	DB7	DB6	DB5	DB4	DB3	DB2	DB1	DB0
0	0	0	1	AC5	AC4	AC3	AC2	AC1	AC0

Set CGRAM address to AC. This instruction makes CGRAM data available from MPU.

Set SEGRAM Address (RE = 1)

RS	R/W	DB7	DB6	DB5	DB4	DB3	DB2	DB1	DB0
0	0	0	1	X	X	AC3	AC2	AC1	AC0

Set CGRAM address to AC. This instruction makes CGRAM data available from MPU

Set DDRAM Address (RE = 0)

RS	R/W	DB7	DB6	DB5	DB4	DB3	DB2	DB1	DB0
0	0	1	AC6	AC5	AC4	AC3	AC2	AC1	AC0

Set DDRAM address to AC. This instruction makes DDRAM data available from MPU. When 1-line display mode (N = 0, NW = 0), DDRAM address is from "00H" to "5FH". In 2-line display mode (N = 1, NW = 0), DDRAM address in the 1st line is from "00H" to "2FH", and DDRAM address in the 2nd line is from "40H" to "6FH". In 4-line display mode (NW = 1), DDRAM address is from "00H" to "13H" in the 1st line, from "20H" to "37H" in the 2nd line, from "40H" to "57H" in the 3rd line and from "60H" to "77H" in the 4th line.

Set Scroll Quantity (RE = 1)

RS	R/W	DB7	DB6	DB5	DB4	DB3	DB2	DB1	DB0
0	0	1	X	SQ5	SQ4	SQ3	SQ2	SQ1	SQ0

As set SQ5 to SQ0, horizontal scroll quantity can be controlled in dot units (refer to Table 9). In this case S6A0078 can show hidden areas of DDRAM by executing smooth scroll from 1 to 48 dots.

Table 9. Scroll Quantity According to HDS Bits

SQ5	SQ4	SQ3	SQ2	SQ1	SQ0	Function
0	0	0	0	0	0	No shift
0	0	0	0	0	1	Shift left by 1-dot
0	0	0	0	1	0	Shift left by 2-dot
0	0	0	0	1	1	Shift left by 3-dot
:	:	:	:	:	:	:
1	0	1	1	1	1	Shift left by 47-dot
1	1	X	X	X	X	Shift left by 48-dot

Read Busy Flag & Address

RS	R/W	DB7	DB6	DB5	DB4	DB3	DB2	DB1	DB0
0	1	BF	AC6	AC5	AC4	AC3	AC2	AC1	AC0

This instruction shows whether S6A0078 is in internal operation or not. If the resultant BF is High, it means the internal operation is in progress and you have to wait until BF to be Low, and then the next instruction can be performed. In this instruction you can read also the value of address counter.

Write Data to RAM

RS	R/W	DB7	DB6	DB5	DB4	DB3	DB2	DB1	DB0
1	0	D7	D6	D5	D4	D3	D2	D1	D0

Write binary 8-bit data to DDRAM/CGRAM/SEGRAM.

The selection of RAM from DDRAM, CGRAM, or SEGRAM, is set by the previous address set instruction: DDRAM address set, CGRAM address set, SEGRAM address set. RAM set instruction can also determines the AC direction to RAM. After write operation, the address is automatically increased/decreased by 1, according to the entry mode.

Read Data From RAM

RS	R/W	DB7	DB6	DB5	DB4	DB3	DB2	DB1	DB0
1	1	D7	D6	D5	D4	D3	D2	D1	D0

Read binary 8-bit data from DDRAM/CGRAM/SEGRAM.

The selection of RAM is set by the previous address set instruction. If address set instruction of RAM is not performed before this instruction, the data that read first is invalid, because the direction of AC is not determined. If you read RAM data several times without RAM address set instruction before read operation, you can get correct RAM data from the second, but the first data would be incorrect, because there is no time margin to transfer RAM data. In case of DDRAM read operation, cursor shift instruction plays the same role as DDRAM address set instruction : it also transfer RAM data to output data register. After read operation address counter is automatically increased/decreased by 1 according to the entry mode. After CGRAM/SEGRAM read operation, display shift may not be executed correctly.

- In case of RAM write operation, after this AC is increased/decreased by 1 like read operation. In this time, AC indicates the next address position, but you can read only the previous data by read instruction.

INSTRUCTION DESCRIPTION 2 (IE = "LOW")

Table 10. Instruction Set 2

Instruction	RE	Instruction Code										Description	Execution Time (fosc = 270kHz)	
		RS	R/W	DB7	DB6	DB5	DB4	DB3	DB2	DB1	DB0			
Clear display	X	0	0	0	0	0	0	0	0	0	0	1	Write "20H" to DDRAM. and set DDRAM address to "00H" from AC.	1.53ms
Return home	X	0	0	0	0	0	0	0	0	0	1	X	Set DDRAM address to "00H" from AC and return cursor to its original position if shifted. The contents of DDRAM are not changed.	1.53ms
Entry mode set	X	0	0	0	0	0	0	0	0	1	I/D	S	Assign cursor moving direction. I/D = "1": increment, I/D = "0": decrement. and display shift enable bit. S = "1": make entire display shift of all lines during DDRAM write, S = "0": display shift disable	39μs
Display ON/OFF control	0	0	0	0	0	0	0	0	1	D	C	B	Set display/cursor/blink on/off D = "1": display on, D = "0": display off, C = "1": cursor on, C = "0": cursor off, B = "1": blink on, B = "0": blink off.	39μs
Extended function set	1	0	0	0	0	0	0	0	1	FW	B/W	NW	Assign font width, black/white inverting of cursor, and 4-line display mode control bit. FW = "1": 6-dot font width, FW = "0": 5-dot font width, B/W = "1": black/white inverting of cursor enable, B/W = "0": black/white inverting of cursor disable NW = "1": 4-line display mode, NW = "0": 1-line or 2-line display mode	39μs
Cursor or display shift	0	0	0	0	0	0	0	1	S/C	R/L	X	X	Cursor or display shift. S/C = "1": display shift, S/C = "0": cursor shift, R/L = "1": shift to right, R/L = "0": shift to left	39μs

Table 10. Instruction Set 2 (Continued)

Instruction	RE	Instruction Code										Description	Execution Time (fosc = 270kHz)
		RS	R/W	DB7	DB6	DB5	DB4	DB3	DB2	DB1	DB0		
Scroll enable	1	0	0	0	0	0	1	HS4	HS3	HS2	HS1	Determine the line for horizontal smooth scroll. HS1 = "1/0": 1st line dot scroll enable/disable HS2 = "1/0": 2nd line dot scroll enable/disable HS3 = "1/0": 3rd line dot scroll enable/disable HS4 = "1/0": 4th line dot scroll enable/disable	39μs
Function set	0	0	0	0	0	1	DL	N	RE (0)	X	X	Set interface data length DL = "1": 8-bit, DL = "0": 4-bit numbers of display line when NW = "0", N = "1": 2-line, N = "0": 1-line extension register, RE ("0")	39μs
	1	0	0	0	0	1	DL	N	RE (1)	BE	0	Set DL, N, RE ("1") and CGRAM/SEGRAM blink enable (BE) BE = "1/0": CGRAM/SEGRAM blink enable/disable	39μs
Set CGRAM address	0	0	0	0	1	AC5	AC4	AC3	AC2	AC1	AC0	Set CGRAM address in address counter.	39μs
Set SEGRAM address	1	0	0	0	1	X	X	AC3	AC2	AC1	AC0	Set SEGRAM address in address counter.	39μs
Set DDRAM address	0	0	0	1	AC6	AC5	AC4	AC3	AC2	AC1	AC0	Set DDRAM address in address counter.	39μs
Set scroll quantity	1	0	0	1	X	QC5	QC4	QC3	QC2	QC1	QC0	Set the quantity of horizontal dot scroll.	39μs
Read busy flag and address	X	0	1	BF	AC6	AC5	AC4	AC3	AC2	AC1	AC0	Can be known whether during internal operation or not by reading BF. The contents of address counter can also be read. BF = "1": busy state, BF = "0": ready state.	0μs
Write data	X	1	0	D7	D6	D5	D4	D3	D2	D1	D0	Write data into internal RAM (DDRAM / CGRAM / SEGRAM).	43μs

Table 10. Instruction Set 2 (Continued)

Instruction	RE	Instruction Code										Description	Execution Time (fosc = 270kHz)
		RS	R/W	DB7	DB6	DB5	DB4	DB3	DB2	DB1	DB0		
Read data	X	1	1	D7	D6	D5	D4	D3	D2	D1	D0	Read data from internal RAM (DDRAM / CGRAM / SEGRAM).	43μs

Display Clear

RS	R/W	DB7	DB6	DB5	DB4	DB3	DB2	DB1	DB0
0	0	0	0	0	0	0	0	0	1

Clear all the display data by writing "20H" (space code) to all DDRAM address, and set DDRAM address to "00H" into AC (address counter). Return cursor to the original status, namely, bring the cursor to the left edge on first line of the display. And entry mode is set to increment mode (I/D = "1").

Return Home

RS	R/W	DB7	DB6	DB5	DB4	DB3	DB2	DB1	DB0
0	0	0	0	0	0	0	0	1	X

Return Home is cursor return home instruction. Set DDRAM address to "00H" into the address counter. Return cursor to its original site and return display to its original status, if shifted. Contents of DDRAM does not change.

Entry Mode Set

RS	R/W	DB7	DB6	DB5	DB4	DB3	DB2	DB1	DB0
0	0	0	0	0	0	0	1	I/D	S

Set the moving direction of cursor and display.

I/D: Increment / decrement of DDRAM address (cursor or blink)

When I/D = "High", cursor/blink moves to right and DDRAM address is increased by 1.

When I/D = "Low", cursor/blink moves to left and DDRAM address is decreased by 1.

- CGRAM/SEGRAM operates the same as DDRAM, when read from or write to CGRAM/SEGRAM.

When S = "High", after DDRAM write, the entire display of all lines is shifted to the right (I/D = "0") or to the left (I/D = "1"). But it will seem as if the cursor does not move. When S = "Low", or DDRAM read, or CGRAM/SEGRAM read/write operation, shift of entire display is not performed.

Display ON/OFF Control (RE = 0)

RS	R/W	DB7	DB6	DB5	DB4	DB3	DB2	DB1	DB0
0	0	0	0	0	0	1	D	C	B

Control display/cursor/blink ON/OFF 1 bit register.

- D: Display ON/OFF control bit
When D = "High", entire display is turned on.
When D = "Low", display is turned off, but display data is remained in DDRAM.
- C: Cursor ON/OFF control bit
When C = "High", cursor is turned on.
When C = "Low", cursor is disappeared in current display, but I/D register remains its data.
- B: Cursor blink ON/OFF control bit
When B = "High", cursor blink is on, that performs alternate between all the high data and display character at the cursor position. If fosc has 270kHz frequency, blinking has 370 ms interval.
When B = "Low", blink is off.

Extended Function Set (RE = 1)

RS	R/W	DB7	DB6	DB5	DB4	DB3	DB2	DB1	DB0
0	0	0	0	0	0	1	FW	B/W	NW

- FW: Font width control
When FW = "High", display character font width is assigned to 6-dot and execution time becomes 6/5 times than that of 5-dot font width. The user font, specified in CGRAM, is displayed into 6-dot font width, bit-5 to bit-0, including the leftmost space bit of CGRAM. (Refer to Figure 8)
When FW = "Low", 5-dot font width is set.
- B/W: Black/White Inversion enable bit
When B/W = "High", black/white inversion at the cursor position is set. In this case C/B bit of display ON/OFF control instruction becomes don't care condition. If fosc has frequency of 270kHz, inversion has 370ms intervals.
- NW: 4 Line mode enable bit
When NW = "High", 4 line display mode is set. In this case N bit of function set instruction becomes don't care condition.

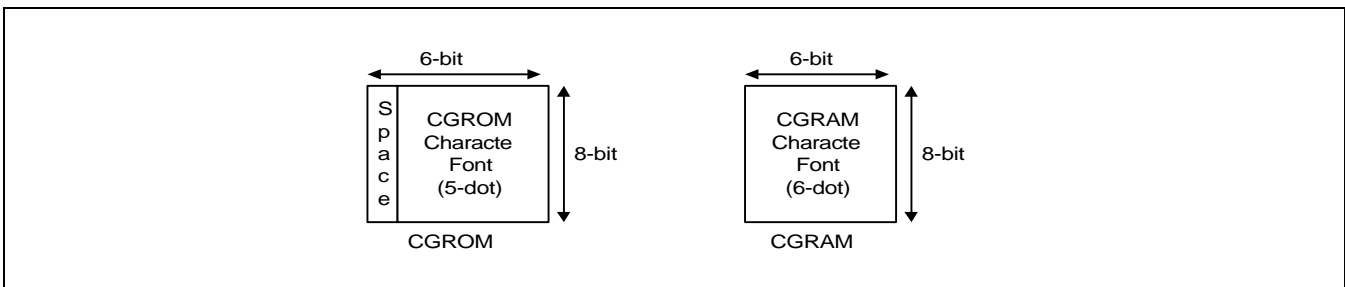


Figure 10. 6-Dot Font Width CGROM/CGRAM

Cursor or Display Shift (RE = 0)

RS	R/W	DB7	DB6	DB5	DB4	DB3	DB2	DB1	DB0
0	0	0	0	0	1	S/C	R/L	-	-

Without writing or reading of display data, shift right/left cursor position or display. This instruction is used to correct or search display data. (Refer to Table 7) during 2-line mode display, cursor moves to the 2nd line after 48th digit of 1st line. When 4-line mode, cursor moves to the next line, only after every 24th digit of the current line. Note that display shift is performed simultaneously in all the line. When displayed data is shifted repeatedly, each line shifted individually. When display shift is performed, the contents of address counter are not changed.

Table 11. Shift Patterns According to S/C and R/L Bits

S/C	R/L	Operation
0	0	Shift cursor to the left, address counter is decreased by 1
0	1	Shift cursor to the right, address counter is increased by 1
1	0	Shift all the display to the left, cursor moves according to the display
1	1	Shift all the display to the right, cursor moves according to the display

Scroll Enable (RE = 1)

RS	R/W	DB7	DB6	DB5	DB4	DB3	DB2	DB1	DB0
0	0	0	0	0	1	HS4	HS3	HS2	HS1

HS: Horizontal scroll per line enable

This instruction makes valid dot shift by a display line unit. HS1, HS2, HS3 and HS4 indicate each line to be dot scrolled, and each scroll is performed individually in each line.

If you want to scroll the line in 1-line display mode or the 1st line in 2-line display mode, set HS1 and HS2 to "High". If the 2nd line scroll is needed in 2-line mode, set HS3 and HS4 to "High".

(refer to Table 8)

Function Set

(RE = 0)

RS	R/W	DB7	DB6	DB5	DB4	DB3	DB2	DB1	DB0
0	0	0	0	1	DL	N	RE(0)	-	-

DL: Interface data length control bit
 When DL = "High", it means 8-bit bus mode with MPU.
 When DL = "Low", it means 4-bit bus mode with MPU.
 So to speak, DL is a signal to select 8-bit or 4-bit bus mode.
 When 4-bit bus mode, it needs to transfer 4-bit data by two times.

N: Display line number control bit
 It is variable only when NW bit of extended function set instruction is Low.
 When N = "Low", it means 1-line display mode.
 When N = "High", 2-line display mode is set.
 When NW = "High", N bit is invalid, it means 4-line mode independent of N bit.

RE: Extended function registers enable bit
 At this instruction, RE must be "Low".

(RE = 1)

RS	R/W	DB7	DB6	DB5	DB4	DB3	DB2	DB1	DB0
0	0	0	0	1	DL	N	RE(1)	BE	0

DL: Interface data length control bit
 When DL = "High", it means 8-bit bus mode with MPU.
 When DL = "Low", it means 4-bit bus mode with MPU.
 So to speak, DL is a signal to select 8-bit or 4-bit bus mode.
 When 4-bit bus mode, it needs to transfer 4-bit data by two times.

N: Display line number control bit
 It is variable only when NW bit of extended function set instruction is low.
 When N = "Low", it means 1-line display mode.
 When N = "High", 2-line display mode is set.
 When NW = "High", N bit is invalid, it means 4-line mode independent of N bit.

RE: Extended function registers enable bit
 When RE = "High", extended function set registers, SEGRAM address set registers, HS bits of scroll enable instruction and BE bits of function set register can be accessed.

BE: CGRAM/SEGRAM data blink enable bit
 If BE is "High", It makes user font of CGRAM and segment of SEGRAM blinking. The quantity of blink is assigned the highest 2 bit of CGRAM/SEGRAM.

Set CGRAM Address (RE = 0)

RS	R/W	DB7	DB6	DB5	DB4	DB3	DB2	DB1	DB0
0	0	0	1	AC5	AC4	AC3	AC2	AC1	AC0

Set CGRAM address to AC.

This instruction makes CGRAM data available from MPU.

Set SEGRAM Address (RE = 1)

RS	R/W	DB7	DB6	DB5	DB4	DB3	DB2	DB1	DB0
0	0	0	1	-	-	AC3	AC2	AC1	AC0

Set SEGRAM address to AC.

This instruction makes SEGRAM data available from MPU.

Set DDRAM Address (RE = 0)

RS	R/W	DB7	DB6	DB5	DB4	DB3	DB2	DB1	DB0
0	0	1	AC6	AC5	AC4	AC3	AC2	AC1	AC0

Set DDRAM address to AC.

This instruction makes DDRAM data available from MPU.

When 1-line display mode (N = 0, NW = 0), DDRAM address is from "00H" to "5FH".

In 2-line display mode (N = 1, NW = 0), DDRAM address in the 1st line is from "00H" to "2FH", and DDRAM address in the 2nd line is from "40H" to "6FH".

In 4-line display mode (NW = 1), DDRAM address is from "00H" to "17H" in the 1st line, from "20H" to "37H" in the 2nd line, from "40H" to "57H" in the 3rd line and from "60H" to "77H" in the 4th line.

Set Scroll Quantity (RE = 1)

RS	R/W	DB7	DB6	DB5	DB4	DB3	DB2	DB1	DB0
0	0	1	X	SQ5	SQ4	SQ3	SQ2	SQ1	SQ0

As set SQ5 to SQ0, horizontal scroll quantity can be controlled in dot units. (Refer to Table 12). In this case S6A0078 execute dot smooth scroll from 1 to 48 dots.

Table 12. Scroll Quantity According to HDS Bits

SQ5	SQ4	SQ3	SQ2	SQ1	SQ0	Function
0	0	0	0	0	0	No shift
0	0	0	0	0	1	Shift left by 1-dot
0	0	0	0	1	0	Shift left by 2-dot
0	0	0	0	1	1	Shift left by 3-dot
:	:	:	:	:	:	:
1	0	1	1	1	1	Shift left by 47-dot
1	1	X	X	X	X	Shift left by 48-dot

Read Busy Flag & Address

RS	R/W	DB7	DB6	DB5	DB4	DB3	DB2	DB1	DB0
0	1	BF	AC6	AC5	AC4	AC3	AC2	AC1	AC0

This instruction shows whether S6A0078 is in internal operation or not. If the resultant BF is high, it means the internal operation is in progress and you have to wait until BF to be low, and then the next instruction can be performed. In this instruction you can read also the value of address counter.

Write Data to RAM

RS	R/W	DB7	DB6	DB5	DB4	DB3	DB2	DB1	DB0
1	0	D7	D6	D5	D4	D3	D2	D1	D0

Write binary 8-bit data to DDRAM/CGRAM/SEGRAM. The selection of RAM from DDRAM, CGRAM, or SEGRAM, is set by the previous address set instruction : DDRAM address set, CGRAM address set, SEGRAM address set. RAM set instruction can also determines the AC direction to RAM. After write operation, the address is automatically increased/decreased by 1, according to the entry mode.

Read Data From RAM

RS	R/W	DB7	DB6	DB5	DB4	DB3	DB2	DB1	DB0
1	1	D7	D6	D5	D4	D3	D2	D1	D0

Read binary 8-bit data from DDRAM/CGRAM/SEGRAM.

The selection of RAM is set by the previous address set instruction. If address set instruction of RAM is not performed before this instruction, the data that read first is invalid, because the direction of AC is not determined. If you read RAM data several times without RAM address set instruction before read operation, you can get correct RAM data from the second, but the first data would be incorrect, because there is no time margin to transfer RAM data. In case of DDRAM read operation, cursor shift instruction plays the same role as DDRAM address set instruction: it also transfer RAM data to output data register. After read operation address counter is automatically increased/decreased by 1 according to the entry mode. After CGRAM/SEGRAM read operation, display shift may not be executed correctly.

- In case of RAM write operation, after this AC is increased/decreased by 1 like read operation. In this time, AC indicates the next address position, but you can read only the previous data by read instruction.

INTERFACE WITH MPU

S6A0078 can transfer data in bus mode (4-bit or 8-bit) or serial mode with MPU. So you can use any type 4 or 8-bit MPU.

In case of 4-bit bus mode, data transfer is performed by two times to transfer 1 byte data.

- When interfacing data length are 4-bit, only 4 ports, from DB4 to DB7, are used as data bus. At first higher 4-bit (in case of 8-bit bus mode, the contents of DB4-DB7) are transferred, and then lower 4-bit (in case of 8-bit bus mode, the contents of DB0-DB3) are transferred. So transfer is performed by two times. Busy Flag outputs "High" after the second transfer are ended.
- When interfacing data length are 8-bit, transfer is performed at a time through 8 ports, from DB0 to DB7.
- If IM is set to "Low", serial transfer mode is set.

INTERFACE WITH MPU IN BUS MODE

Interface With 8-Bits MPU

If 8-bits MPU is used, S6A0078 can connect directly with that. In this case, port E, RS, R/W and DB0 to DB7 need to interface each other. Example of timing sequence is shown below.

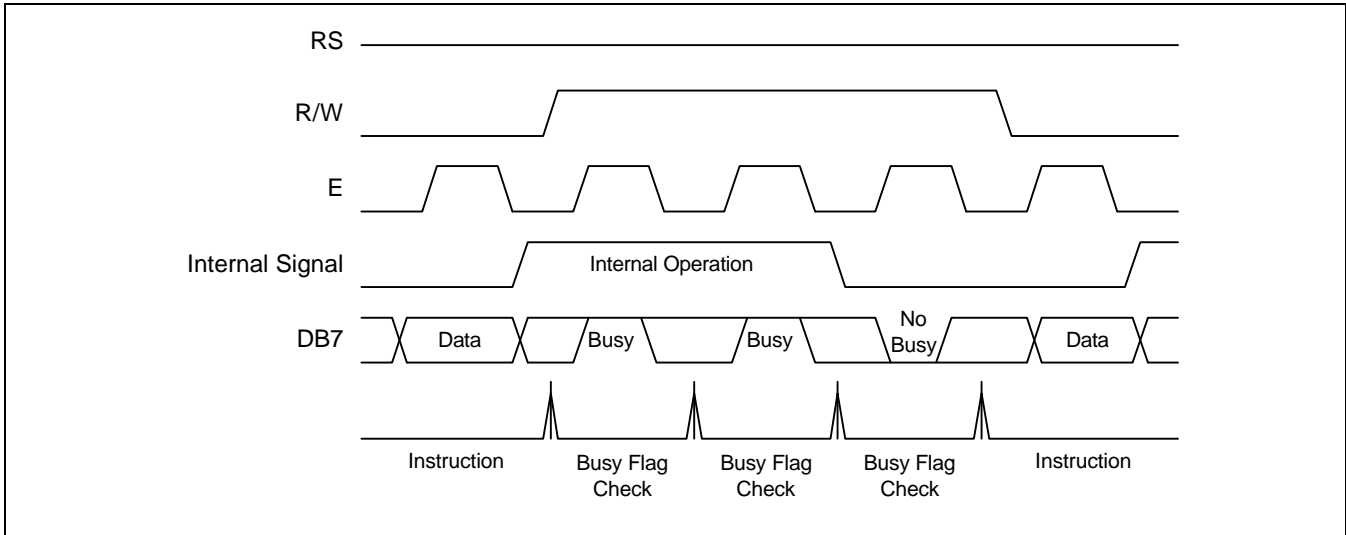


Figure 11. Example of 8-bit Bus Mode Timing Sequence

Interface With 4-bits MPU

If 4-bits MPU is used, S6A0078 can connect directly with this. In this case, port E, RS, R/W and DB4 to DB7 need to interface each other. The transfer is performed by two times. Example of timing sequence is shown below.

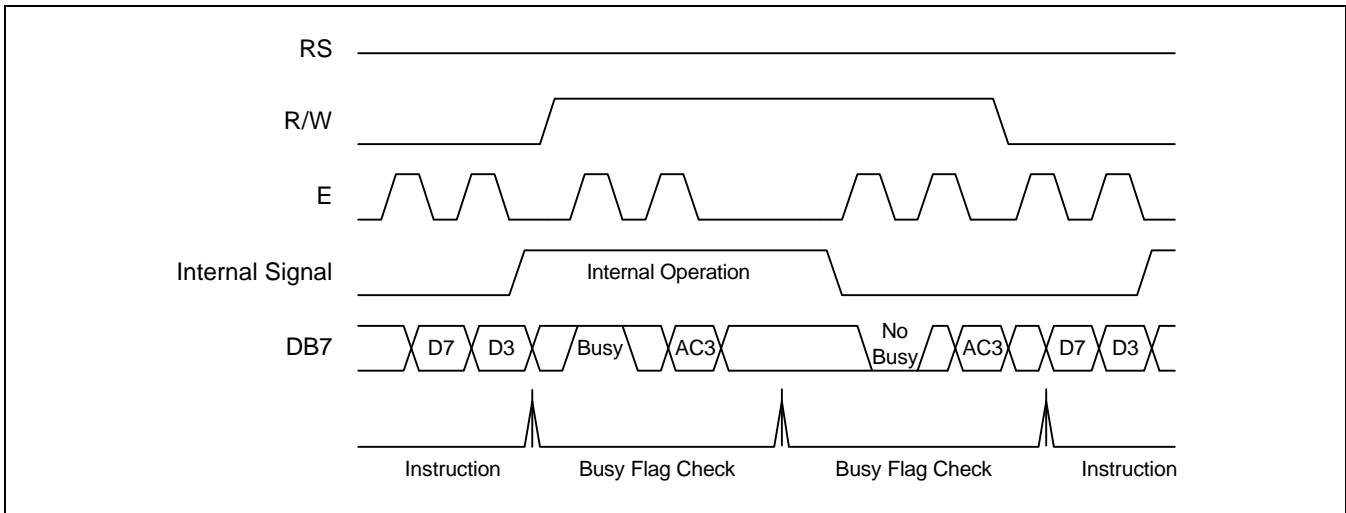


Figure 12. Example of 4-bit Bus Mode Timing Sequence

INTERFACE WITH MPU IN SERIAL MODE

When IM port input is "Low", serial interface mode is started. At this time, all three ports, SCLK (synchronizing transfer clock), SID (serial input data), and SOD (serial output data), are used. If you want to use S6A0078 with other chips, chip select port (CS) can be used. By setting CS to "Low", S6A0078 can receive SCLK input. If CS is set to "High", S6A0078 reset the internal transfer counter. Before transfer real data, start byte has to be transferred. It is composed of succeeding 5 "High" bits, read write control bit (R/W), register selection bit (RS), and end bit that indicates the end of start byte. Whenever succeeding 5 "High" bits are detected by S6A0078, it makes serial transfer counter reset and ready to receive next information. The next input data are register selection bit that determine which register will be used, and read write control bit that determine the direction of data. Then end bit is transferred, which must have "Low" value to show the end of start byte. (refer to Figure 11. Figure 12)

Write Operation (R/W = 0)

After start byte is transferred from MPU to S6A0078, 8-bit data is transferred which is divided into 2 bytes, each byte has 4 bit's real data and 4 bit's partition token data. For example, if real data is "10110001" (D0 - D7), then serially transferred data becomes "1011 0000 0001 0000" where 2nd and 4th 4 bits must be "0000" for safe transfer. To transfer several bytes continuously without changing RS bit and RW bit, start byte transfer is needed only at first starting time. Namely, after first start byte is transferred, real data can be transferred succeeding.

Read Operation (R/W = 1)

After start byte is transferred to S6A0078, MPU can receive 8-bit data through the SOD port at a time from the LSB. Wait time is needed to insert between start byte and data reading, because internal reading from RAM requires some delay. Continuous data reading is possible like serial write operation. It also needs only one start bytes, only if you insert some delay between reading operations of each byte. During the reading operation, S6A0078 observes succeeding 5 "High" from MPU. If it is detected, S6A0078 restarts serial operation at once and ready to receive RS bit. So in continuous reading operation, SID port must be "0".

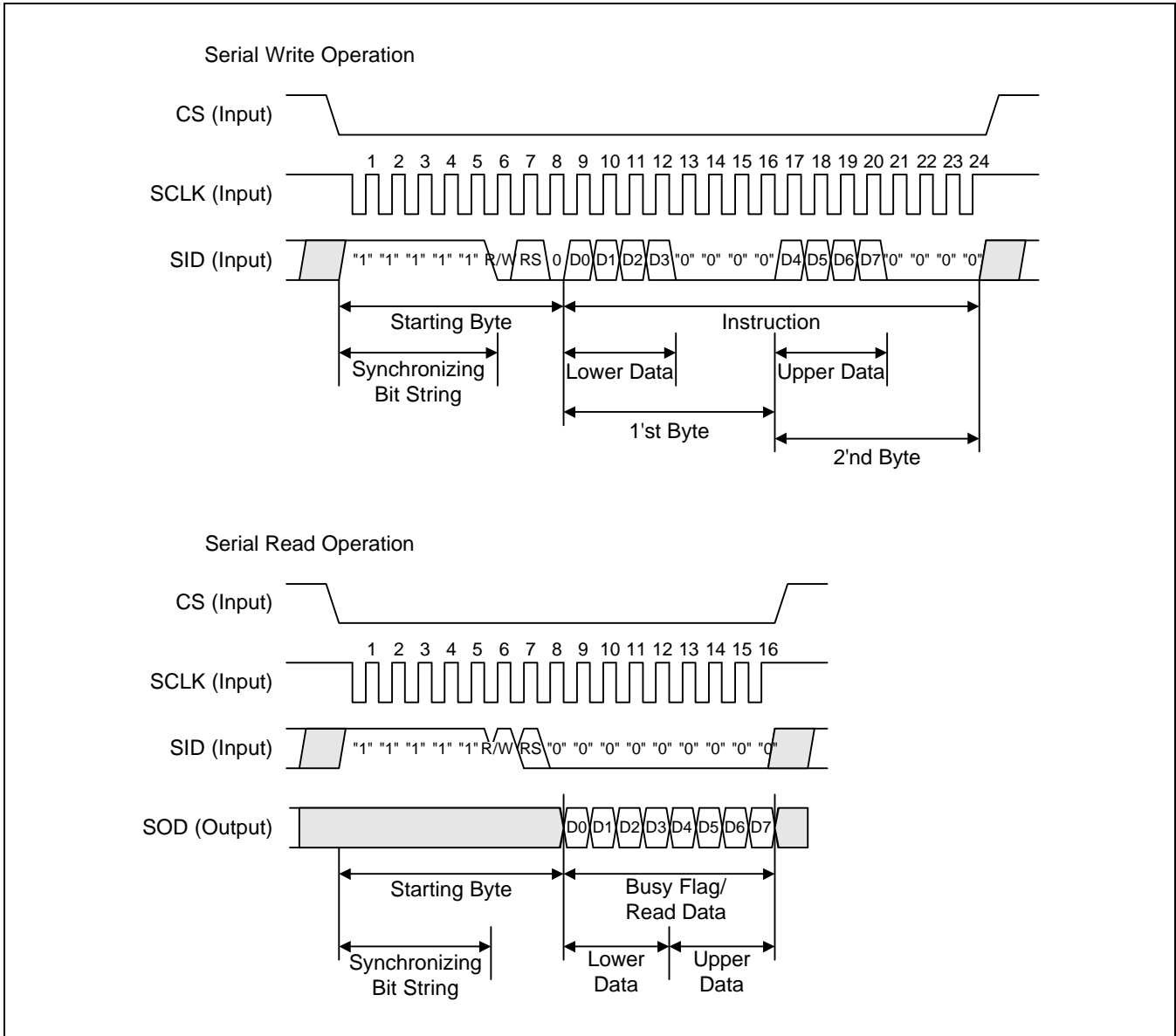


Figure 11. Timing Diagram of Serial Data Transfer

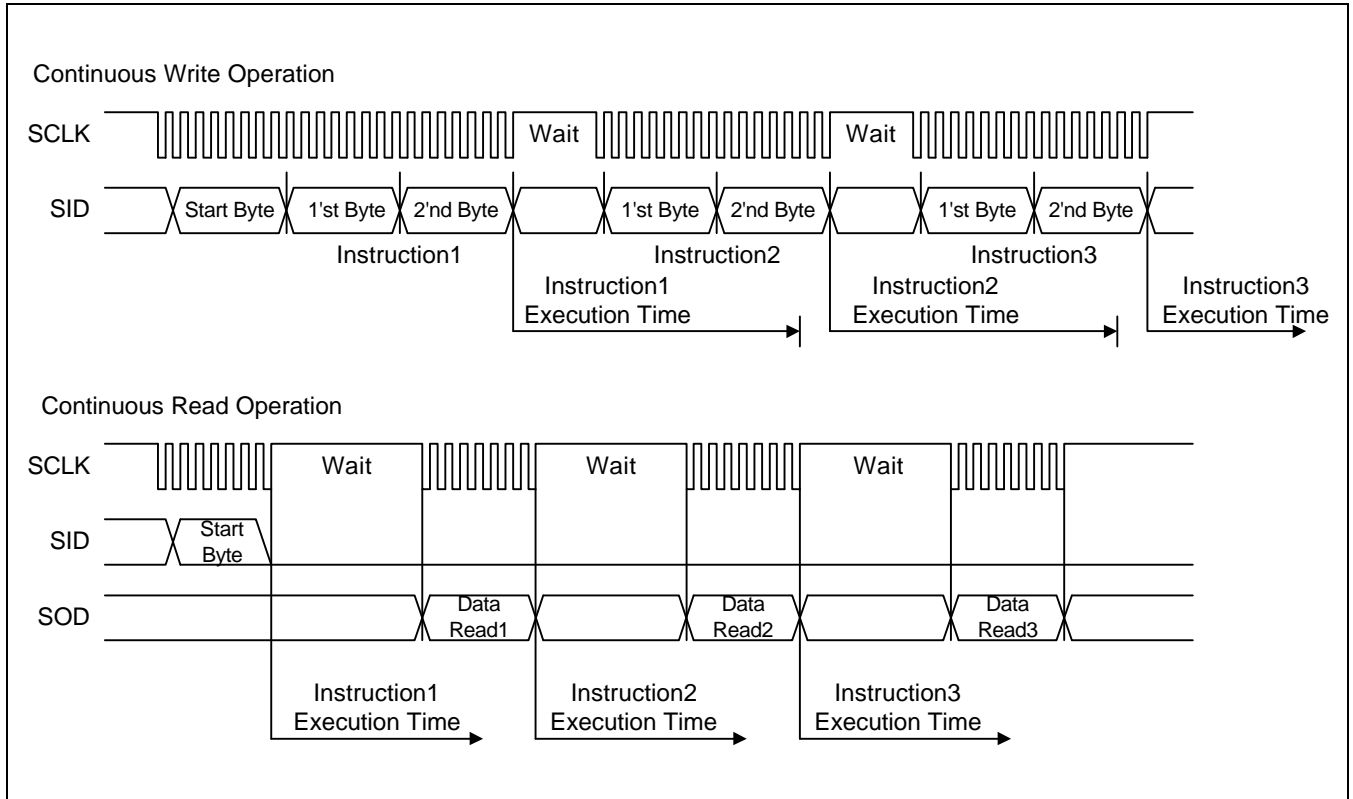
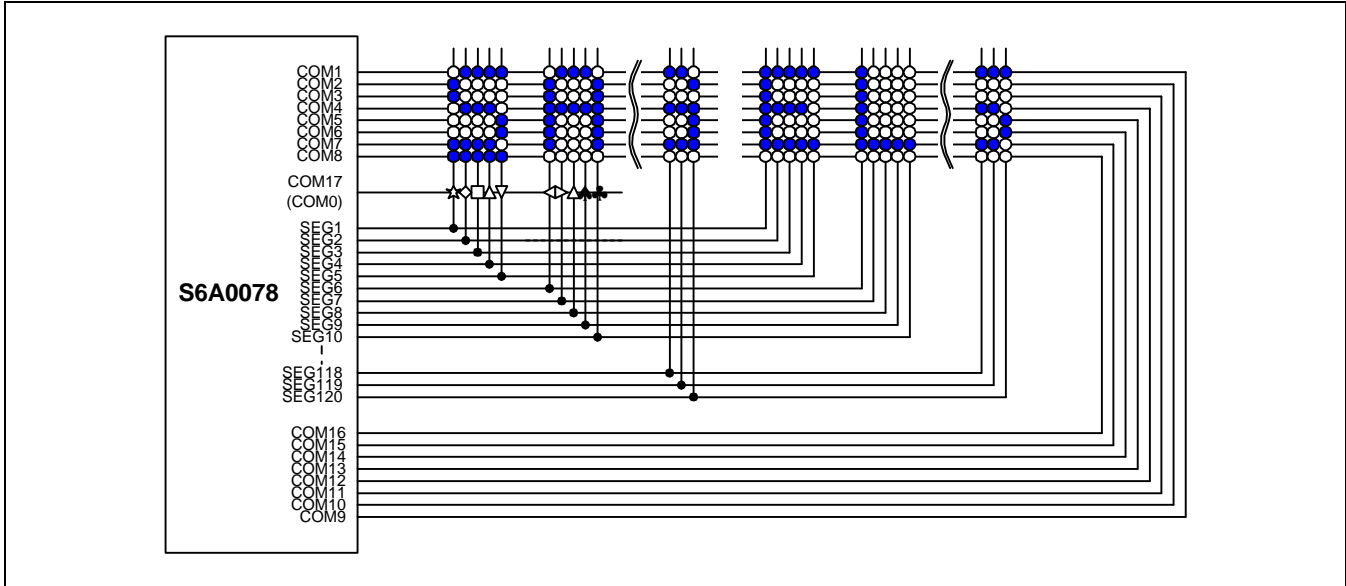


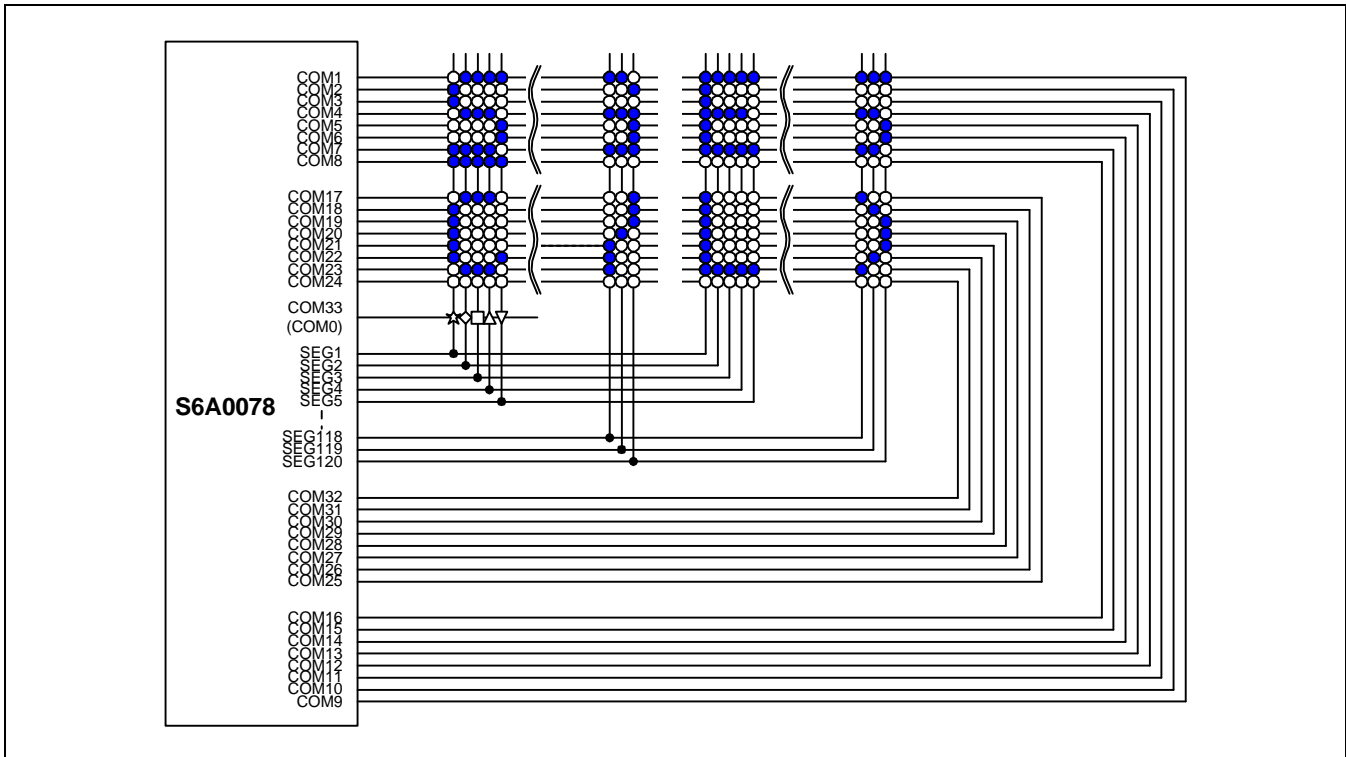
Figure 12. Timing Diagram of Continuous Data Transfer

APPLICATION INFORMATION ACCORDING TO LCD PANEL

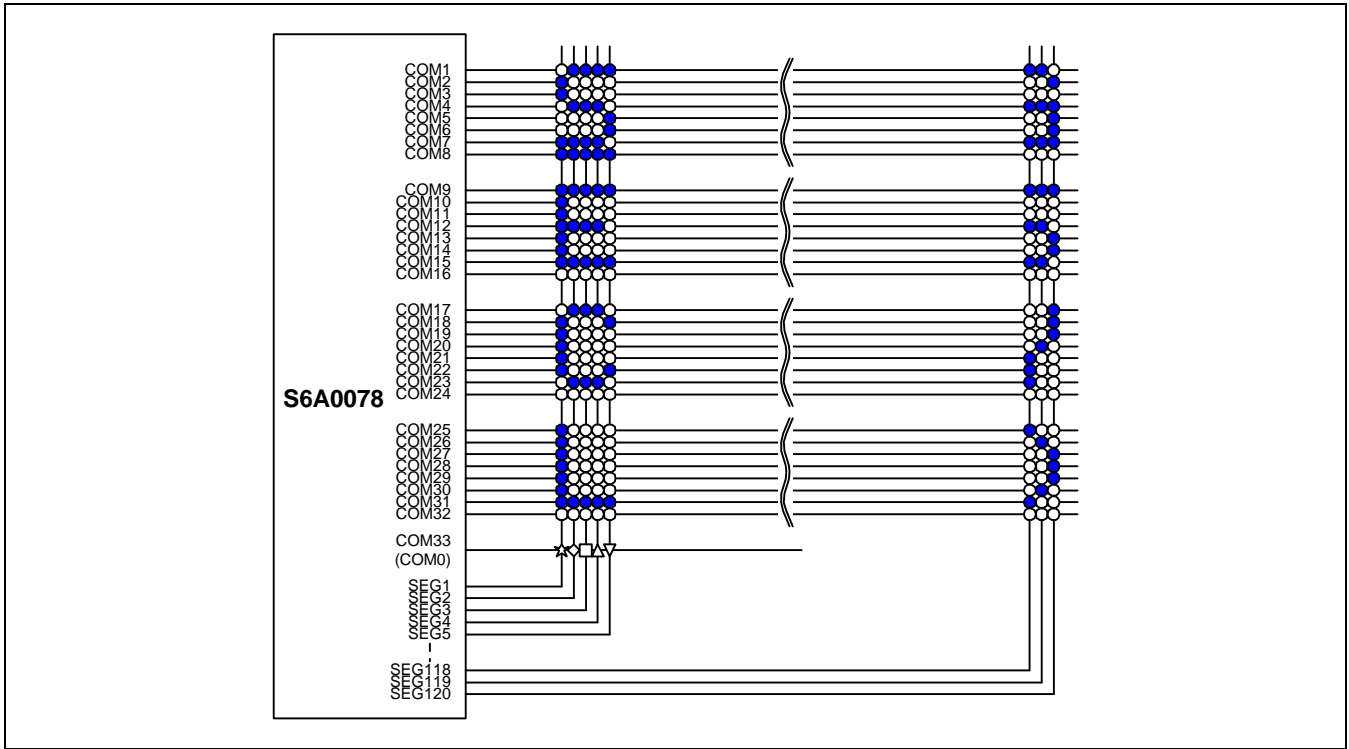
LCD Panel: 48 Character x 1-line Format (5-dot Font, 1/17 Duty)



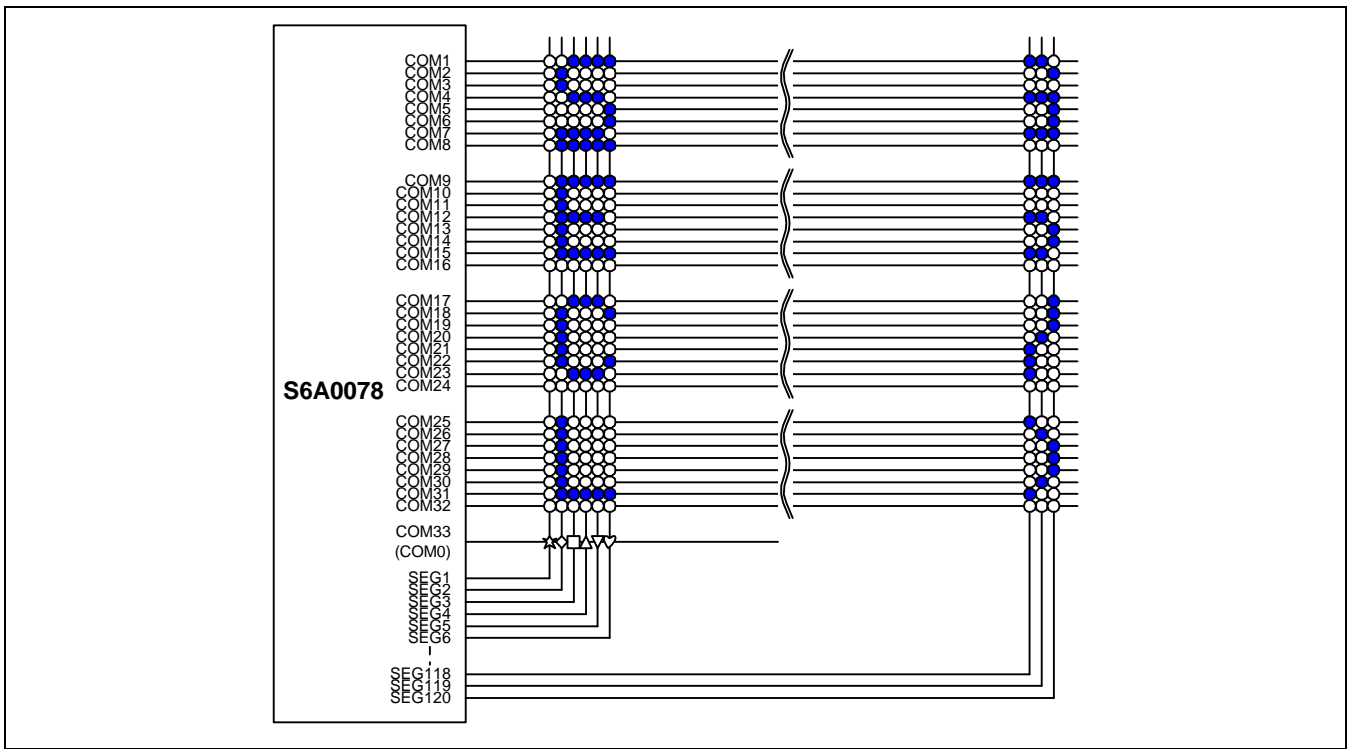
LCD Panel: 48 Character x 2-line Format (5-dot Font, 1/33 Duty)



LCD Panel: 24 Character x 4-line Format (5-dot Font, 1/33 Duty)



LCD Panel: 20 Character x 4-line Format (6-dot Font, 1/33 Duty)



INITIALIZING

INITIALIZING BY INTERNAL RESET CIRCUIT

When the power is turned on, S6A0078 is initialized automatically by power on reset circuit. During the initialization, the following instructions are executed, and BF(Busy Flag) is kept "High" (busy state) to the end of initialization.

Display Clear instruction

Write "20H" to all DDRAM

Set Functions instruction

DL = 1: 8-bit bus mode
N = 1: 2-line display mode
RE = 0: Extension register disable
BE = 0: CGRAM/SEGRAM blink OFF
DH = 0: Horizontal scroll enable
REV = 0: Normal display (Not reversed display)

Control Display ON/OFF instruction

D = 0: Display OFF
C = 0: Cursor OFF
B = 0: Blink OFF

Set Entry Mode instruction

I/D = 1: Increment by 1
S = 0: No entire display shift
BID = 0: Normal direction segment port

Set Extension Function instruction

FW = 0: 5-dot font width character display
B/W = 0: Normal cursor (8th line)
NW = 0: Not 4-line display mode, 2-line mode is set because of N ("1")

Enable Shift instruction

HS = 0000: Scroll per line disable
DS = 0000: Shift per line disable

Set scroll Quantity instruction

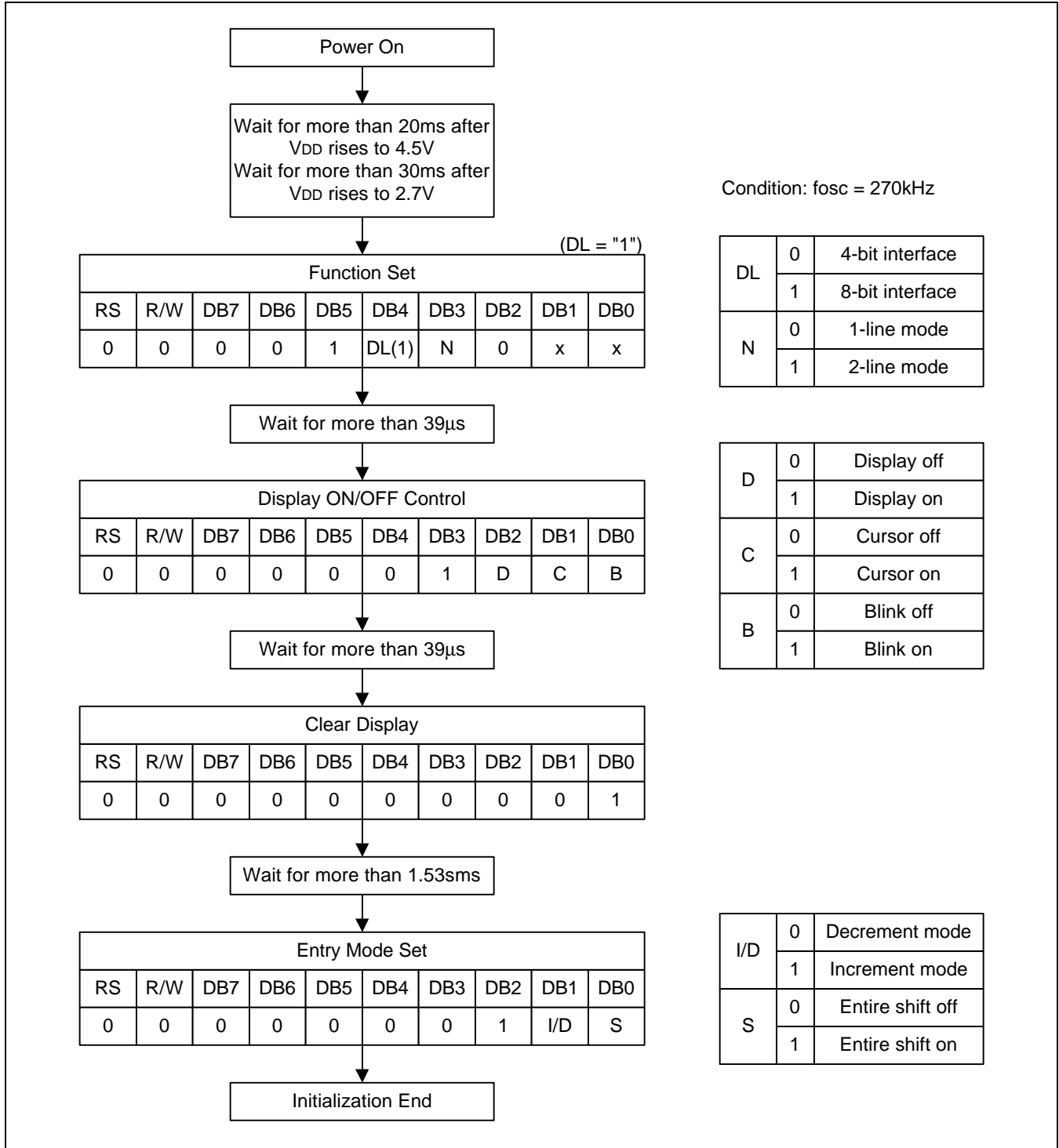
SQ = 000000: Not scroll

INITIALIZING BY HARDWARE RESET INPUT

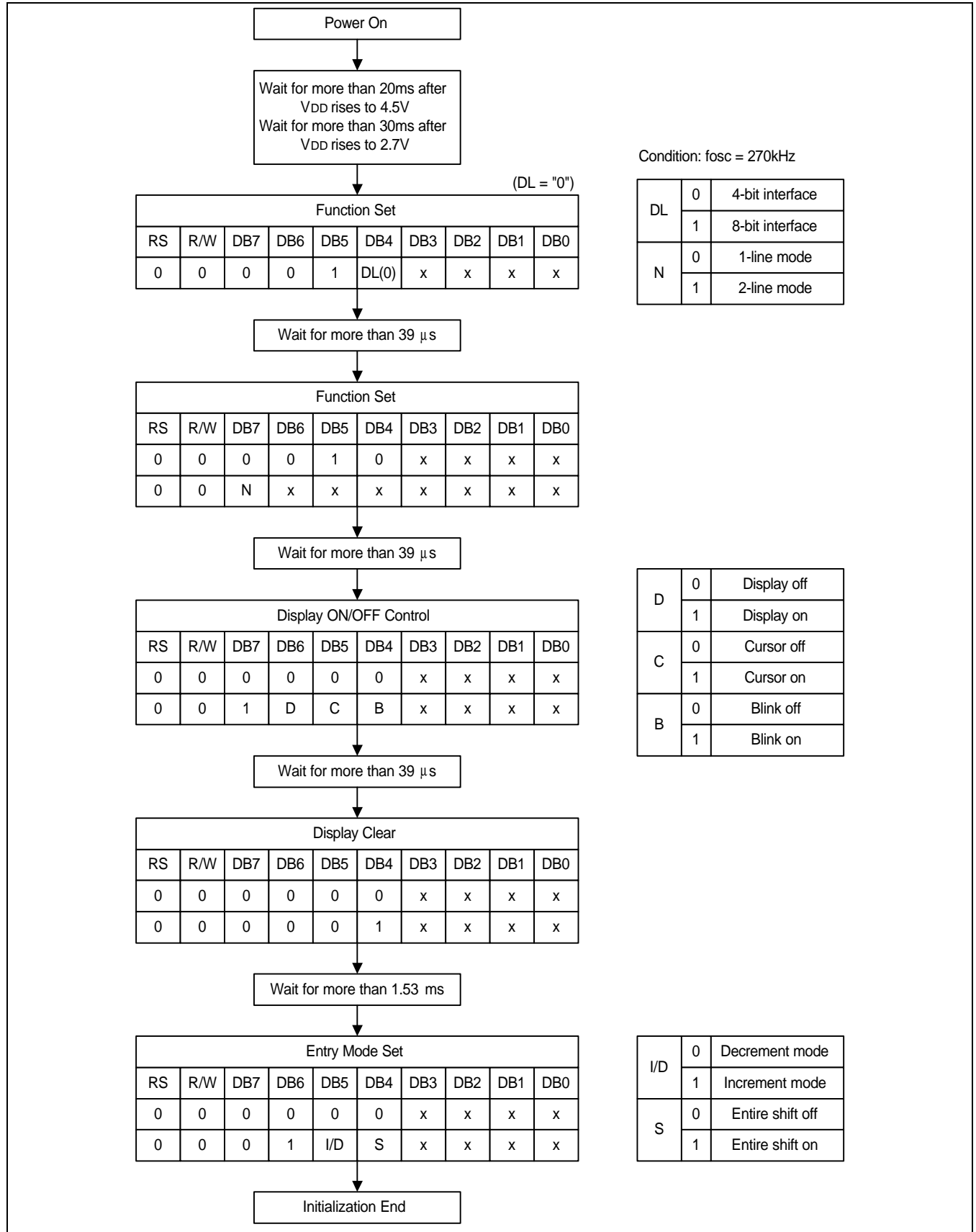
When RESET pin = "Low", S6A0078 can be initialized like the case of power on reset. During the power on reset operation, this pin is ignored.

INITIALIZING BY INSTRUCTION

8-BIT INTERFACE MODE



4-BIT INTERFACE MODE



EXAMPLE OF INSTRUCTION AND DISPLAY CORRESPONDENCE

IE = LOW

	RS	R/W	DB7	DB6	DB5	DB4	DB3	DB2	DB1	DB0	LCD DISPLAY
1. Power supply on: Initialized by the internal power on reset circuit											[]
2. Function Set: 8-bit, 1-line											[]
	0	0	0	0	1	1	0	0	X	X	[]
3. Display ON/OFF Control: Display/Cursor on											[_]
	0	0	0	0	0	0	1	1	1	0	[_]
4. Entry Mode Set: Increment											[_]
	0	0	0	0	0	0	0	1	1	0	[_]
5. Write Data to DDRAM: Write S											[S_]
	1	0	0	1	0	1	0	0	1	1	[S_]
6. Write Data to DDRAM: Write A											[SA_]
	1	0	0	1	0	0	0	0	0	1	[SA_]
7. Write Data to DDRAM: Write M											[SAM_]
	1	0	0	1	0	0	1	1	0	1	[SAM_]
8. Write Data to DDRAM: Write S											[SAMS_]
	1	0	0	1	0	1	0	0	1	1	[SAMS_]

9. Write Data to DDRAM: Write U

RS	R/W	DB7	DB6	DB5	DB4	DB3	DB2	DB1	DB0
1	0	0	1	0	1	0	1	0	1

LCD DISPLAY

SAMSU_

10. Write Data to DDRAM: Write N

RS	R/W	DB7	DB6	DB5	DB4	DB3	DB2	DB1	DB0
1	0	0	1	0	0	1	1	1	0

SAMSUN_

11. Write Data to DDRAM: Write G

RS	R/W	DB7	DB6	DB5	DB4	DB3	DB2	DB1	DB0
1	0	0	1	0	0	0	1	1	1

SAMSUNG_

12. Cursor or Display Shift: Cursor shift to right

RS	R/W	DB7	DB6	DB5	DB4	DB3	DB2	DB1	DB0
0	0	0	0	0	1	0	1	X	X

SAMSUNG _

13. Entry Mode Set: Entire Display Shift Enable

RS	R/W	DB7	DB6	DB5	DB4	DB3	DB2	DB1	DB0
0	0	0	0	0	0	0	1	1	1

SAMSUNG _

14. Write Data to DDRAM: Write K

RS	R/W	DB7	DB6	DB5	DB4	DB3	DB2	DB1	DB0
1	0	0	1	0	0	1	0	1	1

AMSUNG K_

15. Write Data to DDRAM: Write S

RS	R/W	DB7	DB6	DB5	DB4	DB3	DB2	DB1	DB0
1	0	0	1	0	1	0	0	1	1

MSUNG KS_

16. Write Data to DDRAM: Write 0

RS	R/W	DB7	DB6	DB5	DB4	DB3	DB2	DB1	DB0
1	0	0	0	1	1	0	0	0	0

SUNG KS0_

17. Write Data to DDRAM: Write 0

RS	R/W	DB7	DB6	DB5	DB4	DB3	DB2	DB1	DB0
1	0	0	0	1	1	0	0	0	0

LCD DISPLAY

UNG KS00_

18. Write Data to DDRAM: Write 7

RS	R/W	DB7	DB6	DB5	DB4	DB3	DB2	DB1	DB0
1	0	0	0	1	1	0	1	1	1

NG KS007_

19. Write Data to DDRAM: Write 3

RS	R/W	DB7	DB6	DB5	DB4	DB3	DB2	DB1	DB0
1	0	0	0	1	1	0	0	1	1

G KS0073_

20. Cursor or Display Shift: Cursor shift left

RS	R/W	DB7	DB6	DB5	DB4	DB3	DB2	DB1	DB0
0	0	0	0	0	1	0	0	x	x

G KS0073

21. Write Data to DDRAM: Write 8

RS	R/W	DB7	DB6	DB5	DB4	DB3	DB2	DB1	DB0
1	0	0	0	1	1	1	0	0	0

KS0078_

22. Return Home

RS	R/W	DB7	DB6	DB5	DB4	DB3	DB2	DB1	DB0
0	0	0	0	0	0	0	0	1	x

SAMSUNG KS0078

23. Clear Display

RS	R/W	DB7	DB6	DB5	DB4	DB3	DB2	DB1	DB0
0	0	0	0	0	0	0	0	0	1

_

IE = HIGH

1. Power Supply On: Initialized by the internal power on reset circuit

RS	R/W	DB7	DB6	DB5	DB4	DB3	DB2	DB1	DB0

2. Function Set: 8-bit, RE(1)

RS	R/W	DB7	DB6	DB5	DB4	DB3	DB2	DB1	DB0
0	0	0	0	1	1	1	1	0	0

3. Extended Function Set: 5-font, 4-line

RS	R/W	DB7	DB6	DB5	DB4	DB3	DB2	DB1	DB0
0	0	0	0	0	0	1	0	0	1

4. Function Set: RE(0)

RS	R/W	DB7	DB6	DB5	DB4	DB3	DB2	DB1	DB0
0	0	0	0	1	1	1	0	0	0

5. Display ON/OFF Control: Display/Cursor on

RS	R/W	DB7	DB6	DB5	DB4	DB3	DB2	DB1	DB0
0	0	0	0	0	0	1	1	1	0

-

6. Write Data to DDRAM: Write S

RS	R/W	DB7	DB6	DB5	DB4	DB3	DB2	DB1	DB0
1	0	0	1	0	1	0	0	1	1

S_

7. Write Data to DDRAM: Write A

RS	R/W	DB7	DB6	DB5	DB4	DB3	DB2	DB1	DB0
1	0	0	1	0	0	0	0	0	1

SA_

12. Write Data to DDRAM: Write G

RS	R/W	DB7	DB6	DB5	DB4	DB3	DB2	DB1	DB0
1	0	0	1	0	0	0	1	1	1

SAMSUNG_

13. Set DDRAM Address 20H

RS	R/W	DB7	DB6	DB5	DB4	DB3	DB2	DB1	DB0
0	0	1	0	1	0	0	0	0	0

SAMSUNG
-

14. Write Data to DDRAM: Write K

RS	R/W	DB7	DB6	DB5	DB4	DB3	DB2	DB1	DB0
1	0	0	1	0	0	1	0	1	1

SAMSUNG
K_

19. Write Data to DDRAM: Write 8

RS	R/W	DB7	DB6	DB5	DB4	DB3	DB2	DB1	DB0
1	0	0	0	1	1	1	0	0	0

SAMSUNG
KS0078_

20. Set DDRAM Address 40H

RS	R/W	DB7	DB6	DB5	DB4	DB3	DB2	DB1	DB0
0	0	1	1	0	0	0	0	0	0

SAMSUNG
KS0078
-

21. Write Data to DDRAM: Write L

RS	R/W	DB7	DB6	DB5	DB4	DB3	DB2	DB1	DB0
1	0	0	1	0	0	1	1	0	0

SAMSUNG
KS0078
L_

30. Write Data to DDRAM: Write R

RS	R/W	DB7	DB6	DB5	DB4	DB3	DB2	DB1	DB0
1	0	0	1	0	1	0	0	1	0

SAMSUNG
KS0078
LCD DRIVER_

31. Set DDRAM Address 20H

RS	R/W	DB7	DB6	DB5	DB4	DB3	DB2	DB1	DB0
0	0	1	1	1	0	0	0	0	0

SAMSUNG
KS0078
LCD DRIVER
_

43. Write Data to DDRAM: Write R

RS	R/W	DB7	DB6	DB5	DB4	DB3	DB2	DB1	DB0
1	0	0	1	0	1	0	0	1	0

SAMSUNG
KS0078
LCD DRIVER
& CONTROLLER_

44. Function Set: RE("0"), DH("1")

RS	R/W	DB7	DB6	DB5	DB4	DB3	DB2	DB1	DB0
0	0	0	0	1	1	1	0	1	0

SAMSUNG
KS0078
LCD DRIVER
& CONTROLLER_

45. Function Set: RE("1")

RS	R/W	DB7	DB6	DB5	DB4	DB3	DB2	DB1	DB0
0	0	0	0	1	1	1	1	0	0

SAMSUNG
KS0078
LCD DRIVER
& CONTROLLER_

46. Shift/Scroll Enable: DS4("1"), DS3/2/1("0")

RS	R/W	DB7	DB6	DB5	DB4	DB3	DB2	DB1	DB0
0	0	0	0	0	1	1	0	0	0

**SAMSUNG
KS0078
LCD DRIVER
& CONTROLLER_**

47. Function Set: RE("0")

RS	R/W	DB7	DB6	DB5	DB4	DB3	DB2	DB1	DB0
0	0	0	0	1	1	1	0	1	0

**SAMSUNG
KS0078
LCD DRIVER
& CONTROLLER_**

48. Cursor or Display Shift: Display shift to left

RS	R/W	DB7	DB6	DB5	DB4	DB3	DB2	DB1	DB0
0	0	0	0	0	1	1	0	x	x

**SAMSUNG
KS0078
LCD DRIVER
CONTROLLER_**

49. Cursor or Display Shift: Display shift to left

RS	R/W	DB7	DB6	DB5	DB4	DB3	DB2	DB1	DB0
0	0	0	0	0	1	1	0	x	x

**SAMSUNG
KS0078
LCD DRIVER
CONTROLLER_**

50. Cursor or Display Shift: Display shift to left

RS	R/W	DB7	DB6	DB5	DB4	DB3	DB2	DB1	DB0
0	0	0	0	0	1	1	0	x	x

**SAMSUNG
KS0078
LCD DRIVER
ONTROLLER_**

51. Cursor or Display Shift: Display shift to left

RS	R/W	DB7	DB6	DB5	DB4	DB3	DB2	DB1	DB0
0	0	0	0	0	1	1	0	x	x

**SAMSUNG
KS0078
LCD DRIVER
NTROLLER_**

52. Return Home

RS	R/W	DB7	DB6	DB5	DB4	DB3	DB2	DB1	DB0
0	0	0	0	0	0	0	0	1	x

SAMSUNG
KS0078
LCD DRIVER
& CONTROLLER

53. Function Set: RE("0"), REV("1")

RS	R/W	DB7	DB6	DB5	DB4	DB3	DB2	DB1	DB0
0	0	0	0	1	1	1	0	1	1

SAMSUNG
KS0078
LCD DRIVER
& CONTROLLER

54. Cursor or Display Shift: Display shift to right

RS	R/W	DB7	DB6	DB5	DB4	DB3	DB2	DB1	DB0
0	0	0	0	0	1	1	1	x	x

SAMSUNG
KS0078
LCD DRIVER
& CONTROLLER

55. Cursor or Display Shift: Display shift to right

RS	R/W	DB7	DB6	DB5	DB4	DB3	DB2	DB1	DB0
0	0	0	0	0	1	1	1	x	x

SAMSUNG
KS0078
LCD DRIVER
& CONTROLLER

56. Return Home

RS	R/W	DB7	DB6	DB5	DB4	DB3	DB2	DB1	DB0
0	0	0	0	0	0	0	0	1	x

SAMSUNG
KS0078
LCD DRIVER
& CONTROLLER

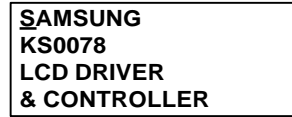
57. Function Set: RE("0"), REV("0")

RS	R/W	DB7	DB6	DB5	DB4	DB3	DB2	DB1	DB0
0	0	0	0	1	1	1	0	0	0

SAMSUNG
KS0078
LCD DRIVER
& CONTROLLER

58. Function Set: RE("1")

RS	R/W	DB7	DB6	DB5	DB4	DB3	DB2	DB1	DB0
0	0	0	0	1	1	1	1	0	0



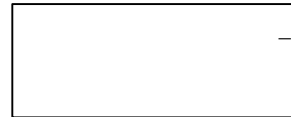
59. Entry Mode Set: BID("1")

RS	R/W	DB7	DB6	DB5	DB4	DB3	DB2	DB1	DB0
0	0	0	0	0	0	0	1	1	1



60. Clear Display

RS	R/W	DB7	DB6	DB5	DB4	DB3	DB2	DB1	DB0
0	0	0	0	0	0	0	0	0	1



61. Write Data to DDRAM: Write B

RS	R/W	DB7	DB6	DB5	DB4	DB3	DB2	DB1	DB0
1	0	0	1	0	0	0	0	1	0



62. Write Data to DDRAM: Write I

RS	R/W	DB7	DB6	DB5	DB4	DB3	DB2	DB1	DB0
0	0	0	0	0	0	0	0	1	x



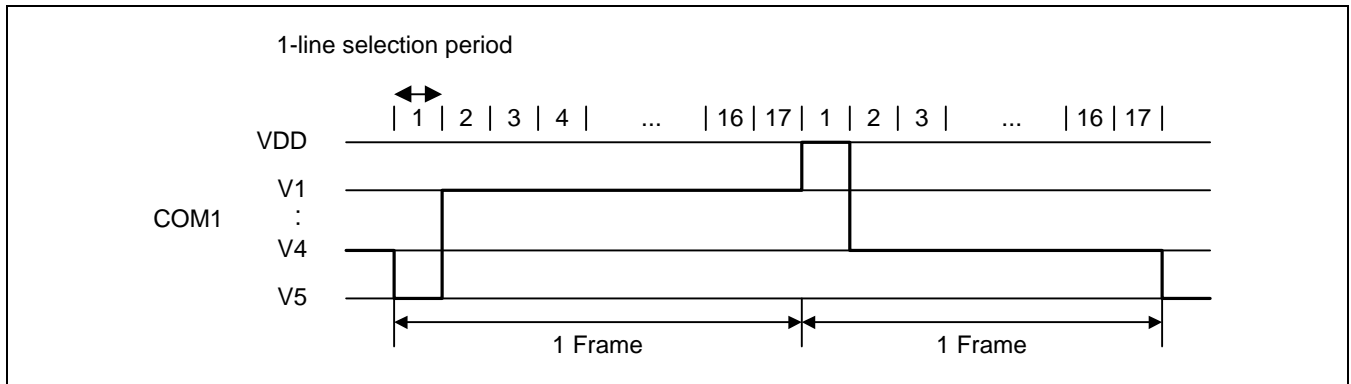
63. Write Data for DDRAM: Write D

RS	R/W	DB7	DB6	DB5	DB4	DB3	DB2	DB1	DB0
1	0	0	1	0	0	0	1	0	0



FRAME FREQUENCY

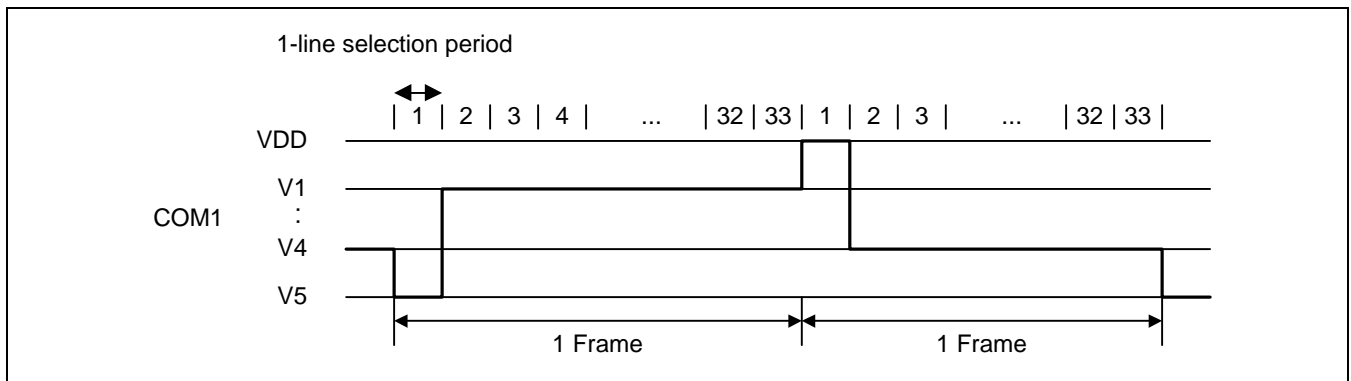
1/17 DUTY CYCLE



Item	Display Font Width	
	5-Dot Font Width	6-Dot Font Width
1-line selection period	240 clocks	288 clocks
Frame frequency	66.2Hz	55.1Hz

fosc = 270kHz (1 clock = 3.7μs)

1/33 DUTY CYCLE

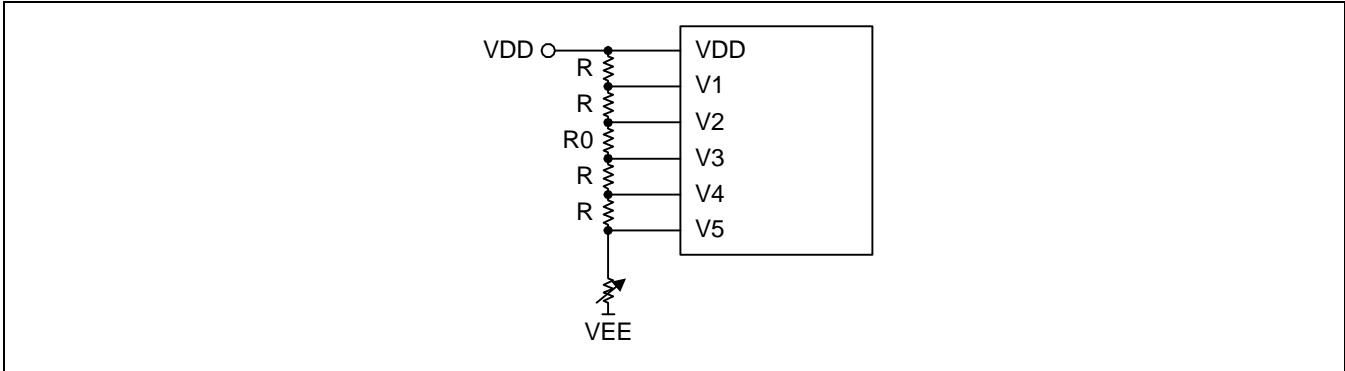


Item	Display Font Width	
	5-Dot Font Width	6-Dot Font Width
1-line selection period	120 clocks	144 clocks
Frame frequency	68.2Hz	56.8Hz

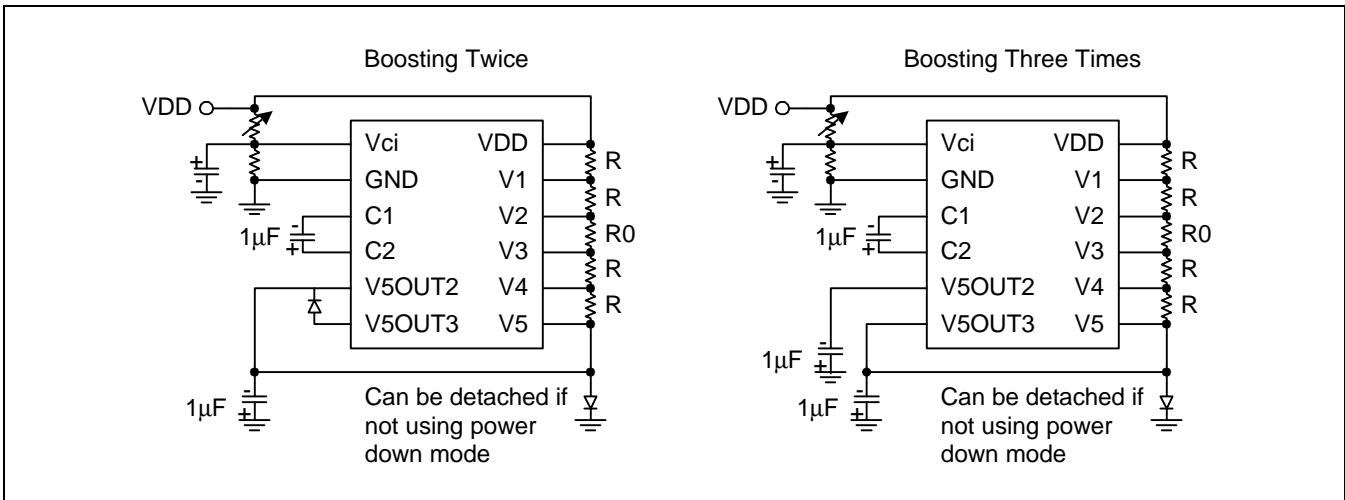
fosc = 270kHz (1 clock = 3.7μs)

POWER SUPPLY FOR DRIVING LCD PANEL

WHEN AN EXTERNAL POWER SUPPLY IS USED



WHEN AN INTERNAL BOOSTER IS USED



- Boosted output voltage should not exceed the maximum value (13V) of the LCD driving voltage. Especially, a voltage of over 4.3V should not be input to the reference voltage (Vci) when boosting three times.
- A voltage of over 5.5V should not be input to the reference voltage (Vci) when boosting twice.
- The value of resistance, according to the number of lines, duty ratio and the bias, is shown below. (refer to Table 13)

Table 13. Duty Ratio and Power Supply for LCD Driving

Item		Data	
Number of lines		1	2 or 4
Duty ration		1/17	1/33
Bias		1/5	1/6.7
Divided resistance	R	R	R
	R0	R	2.7R

MAXIMUM ABSOLUTE RATE

Characteristic	Symbol	Value	Unit
Power supply voltage (1)	V_{DD}	-0.3 to +7.0	V
Power supply voltage (2)	V_{LCD}	$V_{DD} - 15.0$ to $V_{DD} + 0.3$	V
Input voltage	V_{IN}	-0.3 to $V_{DD} + 0.3$	V
Operating temperature	T_{OPR}	-30 to +85	°C
Storage temperature	T_{STG}	-55 to +125	°C

Voltage greater than above may damage to the circuit ($V_{DD} \geq V1 \geq V2 \geq V3 \geq V4 \geq V5$)

ELECTRICAL CHARACTERISTICS

DC CHARACTERISTICS ($V_{DD} = 2.7V$ to $5.5V$, $T_a = -30$ to $+85^{\circ}C$)

Characteristic	Symbol	Condition	Min	Typ	Max	Unit	
Operating voltage	V_{DD}	-	2.7	-	5.5	V	
Supply current	I_{DD}	Internal oscillation or external clock. ($V_{DD} = 3.0V$, $f_{osc} = 270kHz$)	-	0.15	0.3	mA	
Input voltage (1) (except OSC1)	V_{IH1}	-	$0.7V_{DD}$	-	V_{DD}	-	
	V_{IL1}	$V_{DD} = 2.7$ to 3.0	-0.3	-	$0.2V_{DD}$		
		$V_{DD} = 3.0$ to 5.5	-0.3	-	0.6		
Input voltage (2) (OSC1)	V_{IH2}	-	$0.7V_{DD}$	-	V_{DD}	V	
	V_{IL2}	-	-	-	$0.2V_{DD}$		
Output voltage (1) (DB0 to DB7)	V_{OH1}	$I_{OH} = -0.1mA$	$0.75V_{DD}$	-	-	V	
	V_{OL1}	$I_{OL} = 0.1 mA$	-	-	$0.2V_{DD}$		
Output voltage (2) (except DB0 to DB7)	V_{OH2}	$I_O = -40\mu A$	$0.8V_{DD}$	-	-	V	
	V_{OL1}	$I_O = 40\mu A$	-	-	$0.2V_{DD}$		
Voltage DROP	V_{dCOM}	$I_O = \pm 0.1mA$	-	-	1	V	
	V_{dSEG}		-	-	1		
Input leakage current	I_{LKG}	$V_{IN} = 0V$ to V_{DD}	-1	-	1	μA	
Low input current	I_{IL}	$V_{IN} = 0V$, $V_{DD} = 3V$ (pull up)	-10	-50	-120		
Internal clock (external Rf)	f_{OSC}	$R_f = 91k\Omega \pm 2\%$ ($V_{DD} = 5V$)	190	270	350	KHz	
External clock	f_{EC}	-	125	270	410	KHz	
	duty		45	50	55	%	
	t_R, t_F		-	-	0.2	μs	
Voltage converter out2 ($V_{ci} = 4.5V$)	V_{OUT2}	$T_a = 25^{\circ}C$, $C = 1\mu F$, $I_{OUT} = 0.25mA$, $f_{OSC} = 270kHz$	-3.0	-4.2	-	V	
Voltage converter out3 ($V_{ci} = 2.7V$)	V_{OUT3}		-4.3	-5.1	-		
Voltage converter input	V_{ci}	-	2.5	-	4.5	V	
LCD driving voltage	V_{LCD}	$V_{DD} - V_5$	1/5 bias	3.0	-		13.0
			1/6.7 bias	3.0	-		13.0

AC CHARACTERISTICS (VDD = 4.5 to 5.5V, Ta=-30 to +85°C)

Table 14. AC Characteristics

Mode	Item	Symbol	Min	Typ	Max	Unit
(1) Write mode (refer to Figure 13)	E cycle time	tc	500	-	-	ns
	E rise/fall time	tr, tf	-	-	20	
	E pulse width (high, low)	tw	230	-	-	
	R/W and RS setup time	tsu1	40	-	-	
	R/W and RS hold time	th1	10	-	-	
	Data setup time	tsu2	60	-	-	
	Data hold time	th2	10	-	-	
(2) Read mode (refer to Figure 14)	E cycle time	tc	500	-	-	ns
	E rise/fall time	tr, tf	-	-	20	
	E pulse width (high, low)	tw	230	-	-	
	R/W and RS setup time	tsu	40	-	-	
	R/W and RS hold time	th	10	-	-	
	Data output delay time	t _D	-	-	160	
	Data hold time	t _{DH}	5	-	-	
(3) Serial interface mode (refer to Figure 15)	Serial clock cycle time	tc	0.5	-	20	μs
	Serial clock rise/fall time	tr, tf	-	-	50	ns
	Serial clock width (high, low)	tw	200	-	-	
	Chip select setup time	tsu1	60	-	-	
	Chip select hold time	th1	20	-	-	
	Serial input data setup time	tsu2	100	-	-	
	Serial input data hold time	th2	100	-	-	
	Serial output data delay time	t _D	-	-	160	
	Serial output data hold time	t _{DH}	5	-	-	

TABLE 14. AC CHARACTERISTICS (VDD = 2.7 to 4.5V, Ta=-30 to +85°C)

Mode	Item	Symbol	Min	Typ	Max	Unit
(4) Write mode (refer to Figure 13)	E cycle time	tc,	1000	-	-	ns
	E rise/fall time	tr, tf	-	-	25	
	E pulse width (high, low)	tw	450	-	-	
	R/W and RS setup time	tsu1	60	-	-	
	R/W and RS hold time	th1	20	-	-	
	Data setup time	tsu2	195	-	-	
	Data hold time	th2	10	-	-	
(5) Read mode (refer to Figure 14)	E cycle time	tc	1000	-	-	ns
	E rise/fall time	tr, tf	-	-	25	
	E pulse width (high, low)	tw	450	-	-	
	R/W and RS setup time	tsu	60	-	-	
	R/W and RS hold time	th	20	-	-	
	Data output delay time	t _D	-	-	360	
	Data hold time	t _{DH}	5	-	-	
(6) Serial interface mode (refer to Figure 15)	Serial clock cycle time	tc	1	-	20	μs
	Serial clock rise/fall time	tr, tf	-	-	50	μs
	Serial clock width (high, low)	tw	400	-	-	
	Chip select setup time	tsu1	60	-	-	
	Chip select hold time	th1	20	-	-	
	Serial input data setup time	tsu2	200	-	-	
	Serial input data hold time	th2	200	-	-	
	Serial output data delay time	t _D	-	-	360	
	Serial output data hold time	t _{DH}	5	-	-	

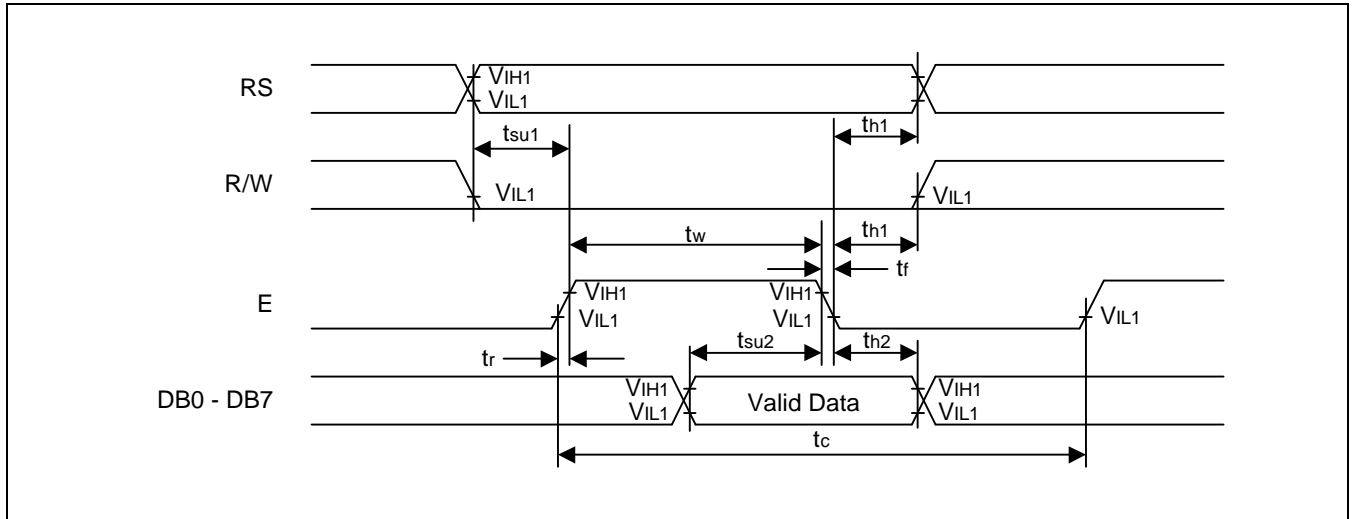


Figure 13. Write Mode

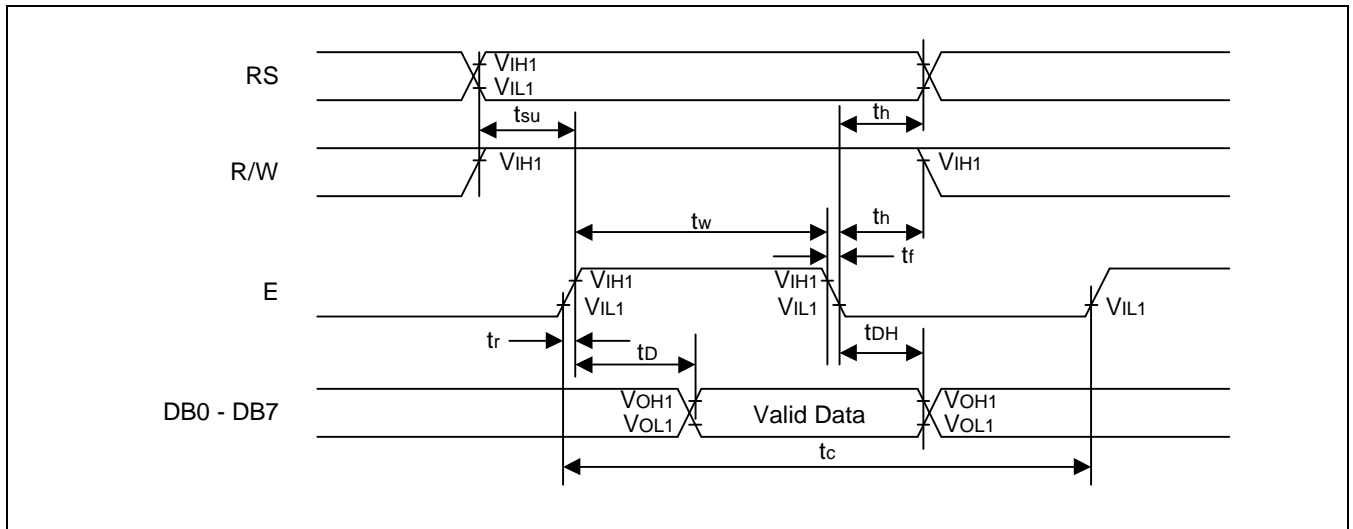


Figure 14. Read Mode

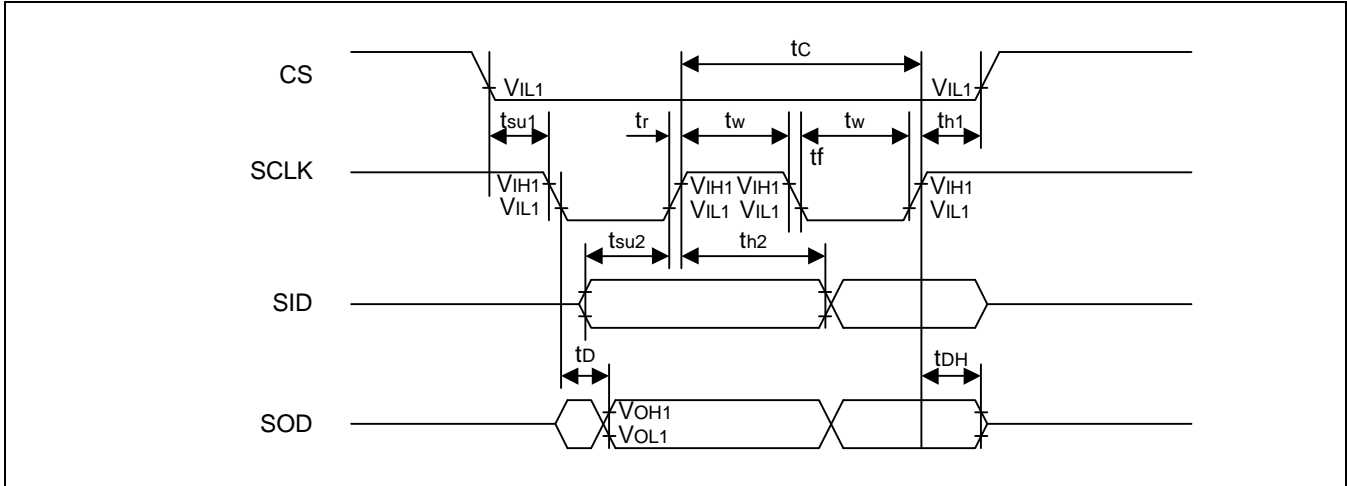


Figure 15. Serial Interface Mode

Reset Timing (VDD = 2.7 to 5.5V, Ta = -30 to +85°C)

Item	Symbol	Min	Typ	Max	Unit
Reset low level width (refer to Figure 16)	t_{RES}	10	-	-	ms

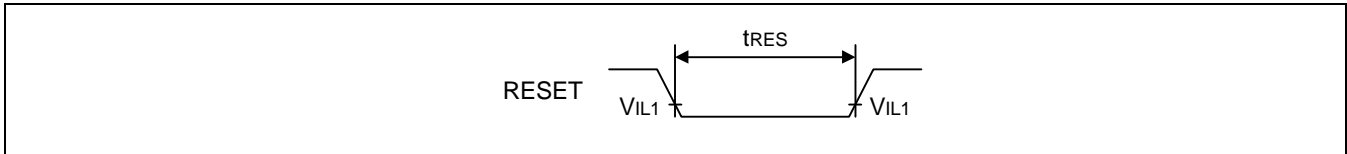


Figure 15. Reset Timing Diagram