

KS0657

263 / 256 CHANNEL TFT-LCD GATE DRIVER

November. 1999.

Ver. 0.1

Prepared by:  Jae il Byeon

kerigma@samsung.co.kr

Contents in this document are subject to change without notice. No part of this document may be reproduced or transmitted in any form or by any means, electronic or mechanical, for any purpose, without the express written permission of LCD Driver IC Team.

KS0657 Specification Revision History		
Version	Content	Date
0.0	Original	Aug.1999
0.1	The contents of page 9, 10 and 13 have been modified	Nov.1999

CONTENTS

INTRODUCTION	4
FEATURES	4
BLOCK DIAGRAM.....	5
PIN ASSIGNMENTS	6
PIN DESCRIPTIONS.....	7
ABSOLUTE MAXIMUM RATINGS.....	8
RECOMMENDED OPERATION RATINGS.....	8
DC CHARACTERISTICS	9
AC CHARACTERISTICS	10
AC TIMING DIAGRAM.....	11
OPERATION DESCRIPTION.....	12
OPERATION METHOD	12
OUTPUT PIN.....	12
VOLTAGE BIASING	13
RECOMMENDED TIMING.....	14

INTRODUCTION

The KS0657 is a TFT-LCD gate driver having 263 / 256 outputs. It can drive TFT panel gate ON voltage up to 38 V. It can operate within the logic voltage 2.7 to 5.5 V.

FEATURES

- 263 / 256 outputs
- Maximum TFT panel gate ON voltage = 38 V
- Bi - directional shift register
- Logic supply voltage = 2.7 to 5.5 V
- COF (Chip On Film)

BLOCK DIAGRAM

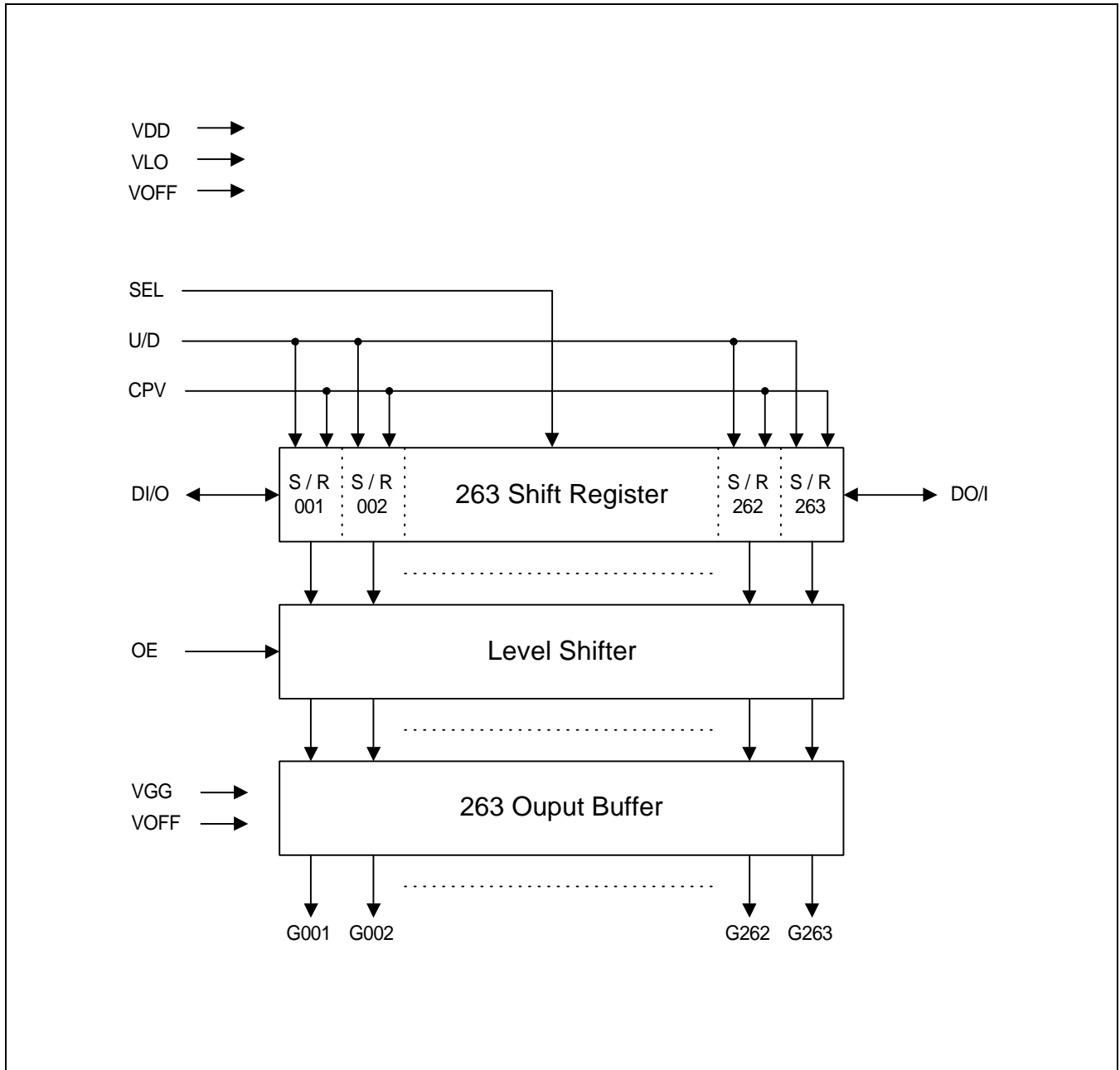


Figure 1. Block Diagram

PIN ASSIGNMENTS

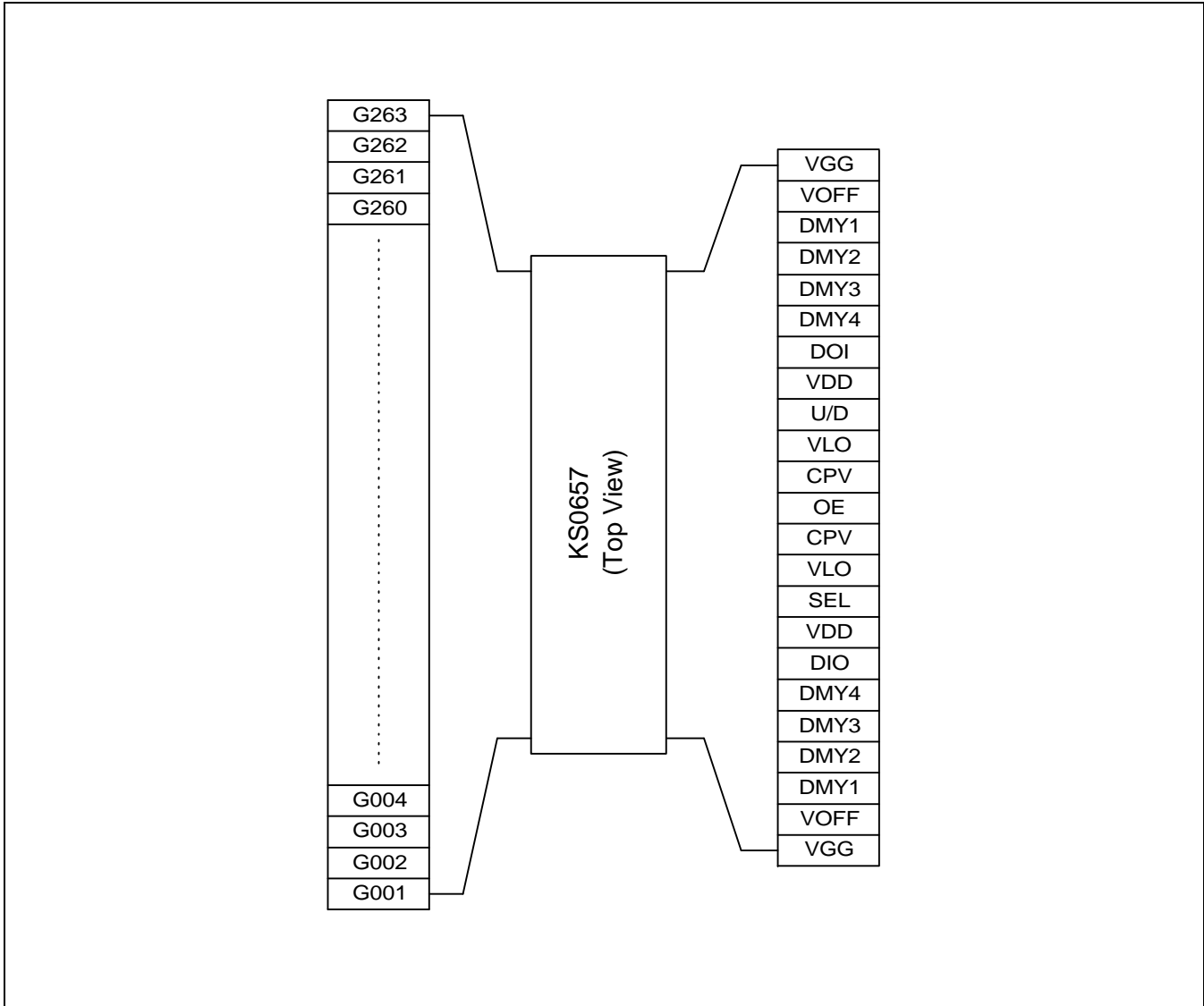


Figure 2. Pin Assignments

PIN DESCRIPTIONS

Symbol	Pin Name	I / O	Description
DI/O DO/I	Start pulse input/output	I / O	When these inputs operate as the input, the start pulse data is read at the rising edge of shift clock, CPV. When these inputs operate as the output, the start pulse output is the next chip's start pulse input. The output pulse is generated at the falling edge of the 263th shift clock, CPV. When U/D = H, the shift register does right shifting operation. (Input = DI/O and output = DO/I) When U/D = L, the shift register does left shifting operation. (Input = DO/I and output = DI/O)
U/D	Shift direction control input	I	When U/D = H, DI/O → G001 →.....→ G263 → DO/I When U/D = L, DO/I → G263 →.....→ G001 → DI/O
CPV	Shift clock input	I	The shift register operates in synchronization with the rising edge of this input
SEL	Output selection input	I	This input selects the number of available outputs When SEL = H, 263 output mode When SEL = L, 256 output mode(G129 - G135 are disabled)
OE	Output enable input	I	This input controls the state of the driver outputs. When OE = H, the driver output is fixed to VOFF. When OE = L, the driver output is VGG or VOFF corresponding to the data.
G001 to G263	Driver output	O	The output signals change in synchronization with the rising edge of shift clock input, CPV. The amplitude of the driver output is VGG - VOFF.
VOFF	Negative power supply	I	This input is logic and driver ground. Always, has negative potential.
VLO	Logic input low voltage	I	This input operates as the reference to the level conversion of the other input. The other logic input range: VDD - VLO
VGG	Driver positive power supply	I	6 to 33 V The TFT gate ON voltage is VGG - VOFF.
VDD	Logic positive power supply	I	2.7 to 5.5 V

ABSOLUTE MAXIMUM RATINGS (VOFF = 0 V)

Table 1. Absolute Maximum Ratings

Parameter	Symbol	Ratings	Unit
Logic positive power supply	VDD	- 0.3 to 21.0	V
Driver positive power supply	VGG	- 0.3 to 42.0	V
Logic input low voltage	VLO	- 0.3 to VDD + 0.3	V
Input voltage	VIN	- 0.3 to VDD + 0.3	V
Operation temperature	Top	- 20 to 75	°C
Storage temperature	Tstg	- 55 to 150	°C

CAUTIONS

If the absolute maximum rating is exceeded momentarily, the quality of this product may be degraded.

It is desirable to use this product within the range of the absolute maximum ratings.

The power supplying order is as follows.

ON: VLO → VDD → VOFF → Control Input → VGG

OFF: VGG → Control Input → VOFF → VDD → VLO

RECOMMENDED OPERATION RATINGS (VLO = 0 V)

Table 2. Recommended Operation Ratings

Parameter	Symbol	Min.	Typ.	Max.	Unit
Logic positive power supply	VDD	2.7	-	5.5	V
Driver positive power supply	VGG	6	-	33	V
Negative power supply	VOFF	- 15	-	- 5	V
Power supply voltage	VGG - VOFF	21	-	38	V
Operation frequency	fCPV	-	-	100	kHz
Output load	CL	-	-	1000	pF

DC CHARACTERISTICS (VLO = 0V)

Table 3. DC Characteristics

(Ta = - 20 to 75 °C, VGG - VOFF = 21 to 38 V, VLO - VOFF = 15 to 5 V, VDD - VLO = 2.7 to 5.5 V)

Parameter	Symbol	Condition	Min.	Max.	Unit	Pin used
High input voltage	VIH	VX = VDD - VLO	VLO + 0.9VX	VDD	V	(1)
Low input voltage	VIL		VOFF	VLO + 0.1VX	V	
High output voltage	VOH	IOH = - 40 μA	VDD - 0.4	VDD	V	(2)
Low output voltage	VOL	IOL = 40 μA	VOFF	VOFF + 0.4	V	
LCD driver output ON resistance	ROH	VOUT = VGG - 0.5 V, VGG = 38 V, VOFF = 0 V	-	500	Ω	G001 to G263
	ROL	VOUT = 0.5 V, VGG = 38 V, VOFF = 0 V	-	500	Ω	G001 to G263
High output current	IGG	Without output load	-	400	μA	VGG
Low output current	IDD	VDD - VOFF = 3.3 V	-	400	μA	(1)
		VDD - VOFF = 19 V	-	1000	μA	(3)
Input leak current	ILK	-	- 5	5	μA	(1)

NOTES:

1. DI/O, DO/I, CPV, OE, U/D, SEL used.
2. When U/D = H, DO/I used, and when U/D = L, DI/O used.
3. Input swing voltage = VDD to VDD - 3.3 V

AC CHARACTERISTICS (VLO = 0 V)

Table 4. AC Characteristics

(Ta = - 20 to 75 °C, VGG - VOFF = 21 to 38 V, VLO - VOFF = 15 to 5 V, VDD - VLO = 2.7 to 5.5 V)

Parameter	Symbol	Condition	Min.	Max.	Unit
Clock period	tCPV	-	10	-	μs
Clock pulse width	tCPVH, tCPVL	Duty = 50 %	4	-	
Output enable input width	twOE	-	0.8	-	
Data setup time	tsDI	-	0.8	-	
Data hold time	thDI	-	0.8	-	
Output delay time (1)	tpdDO	CL = 30 pF	-	0.8	
Output delay time (2)	tpdG	CL = 300 pF	-	0.8	
Output delay time (3)	tpdOE		-	0.8	

AC TIMING DIAGRAM

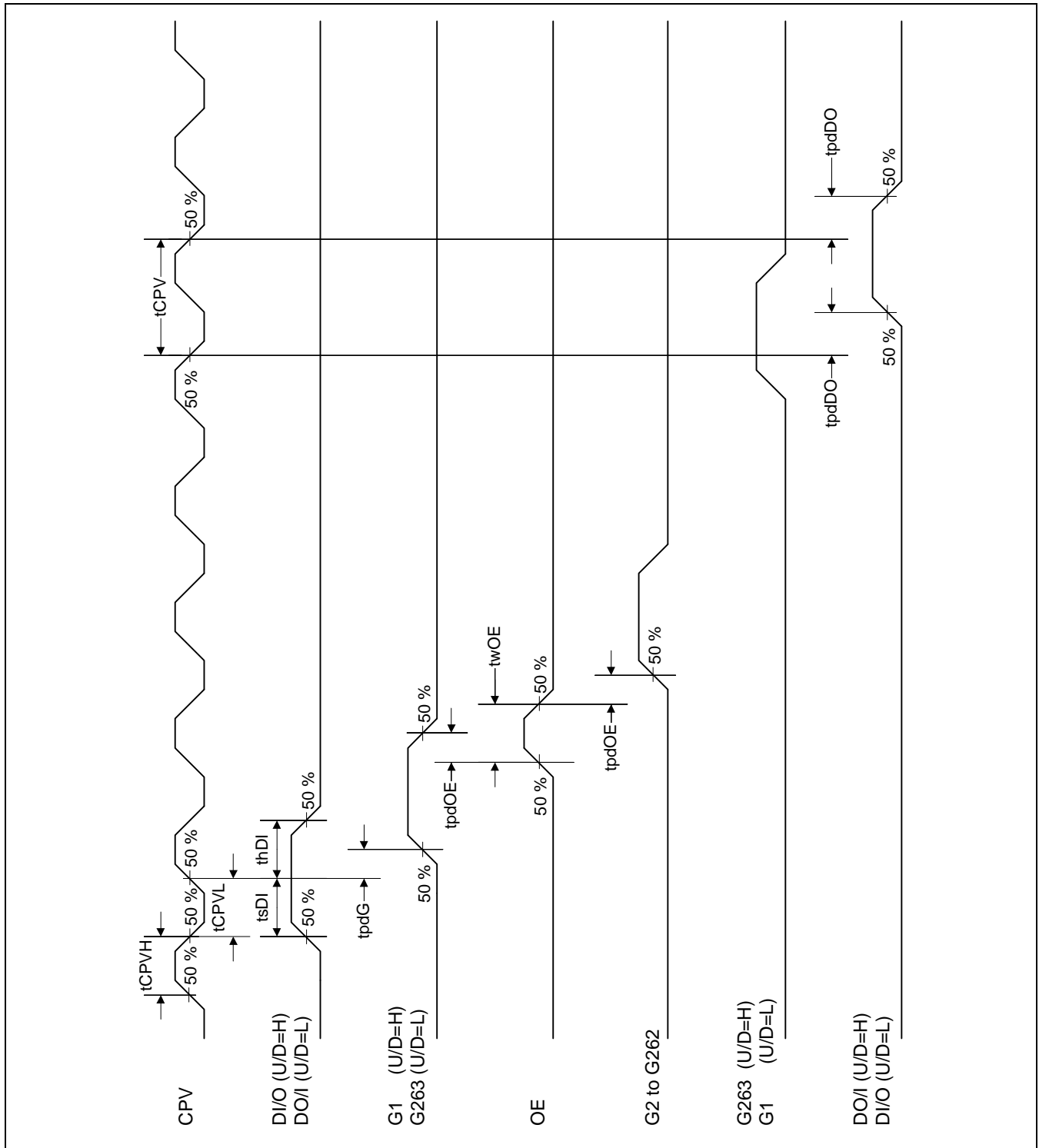


Figure 3. AC Timing Diagram

OPERATION DESCRIPTION

OPERATION METHOD

The start pulse input, DI/O (when U/D is "H") or DO/I (when U/D = "L"), is synchronized with the rising edge of CPV and stored in the first shift register. While stored pulse is transferred to the next register at the next rising edge of CPV, a new pulse is stored simultaneously. Output pin (G1 to G263) supplies VGG voltage or VOFF voltage to the TFT-LCD panel depending on the pulse of the shift register.

The start pulse output, DO/I (when U/D is "H") or DI/O (when U/D = "L"), is synchronized with the falling edge of CPV and the pulse of the last register (G1 or G263) is transferred to the next IC. The voltage level of the start pulse output is VDD with "H" data, VOFF with "L" data

The relationship between U/D and shift data input / out pin is as follows:

Table 5. The Relationship between U/D and the Start Pulse Input / Output

Mode	U/D state	Shift data		Data transfer direction	Output level	
		Input	Output		OE = L	OE = H
263 output	"H"	DI/O	DO/I	G1 → G2 → G3 → G4 → G5 →.....→ G263	Normal (VGG / VOFF)	Disable (VOFF)
	"L"	DO/I	DI/O	G263 → G262 → G261 → G260 →.....→ G1		
256 output	"H"	DI/O	DO/I	G1 → G2 →.....→ G128 → G136 →.....→ G262 → G263		
	"L"	DO/I	DI/O	G263 → G262 →.....→ G136 → G128 →.....→ G2 → G1		

OUTPUT PIN (G1 TO G263)

If the data of the shift register to an output drive pin is "H", the voltage level of the output is VGG and if the data is "L", the level of the output is VOFF. But, when OE is "H", the voltage level of the output is VOFF irrespective of the data of the shift register.

VOLTAGE BIASING

The driver negative power supply, VOFF, can be any value between VLO - 5V and VLO - 15V.

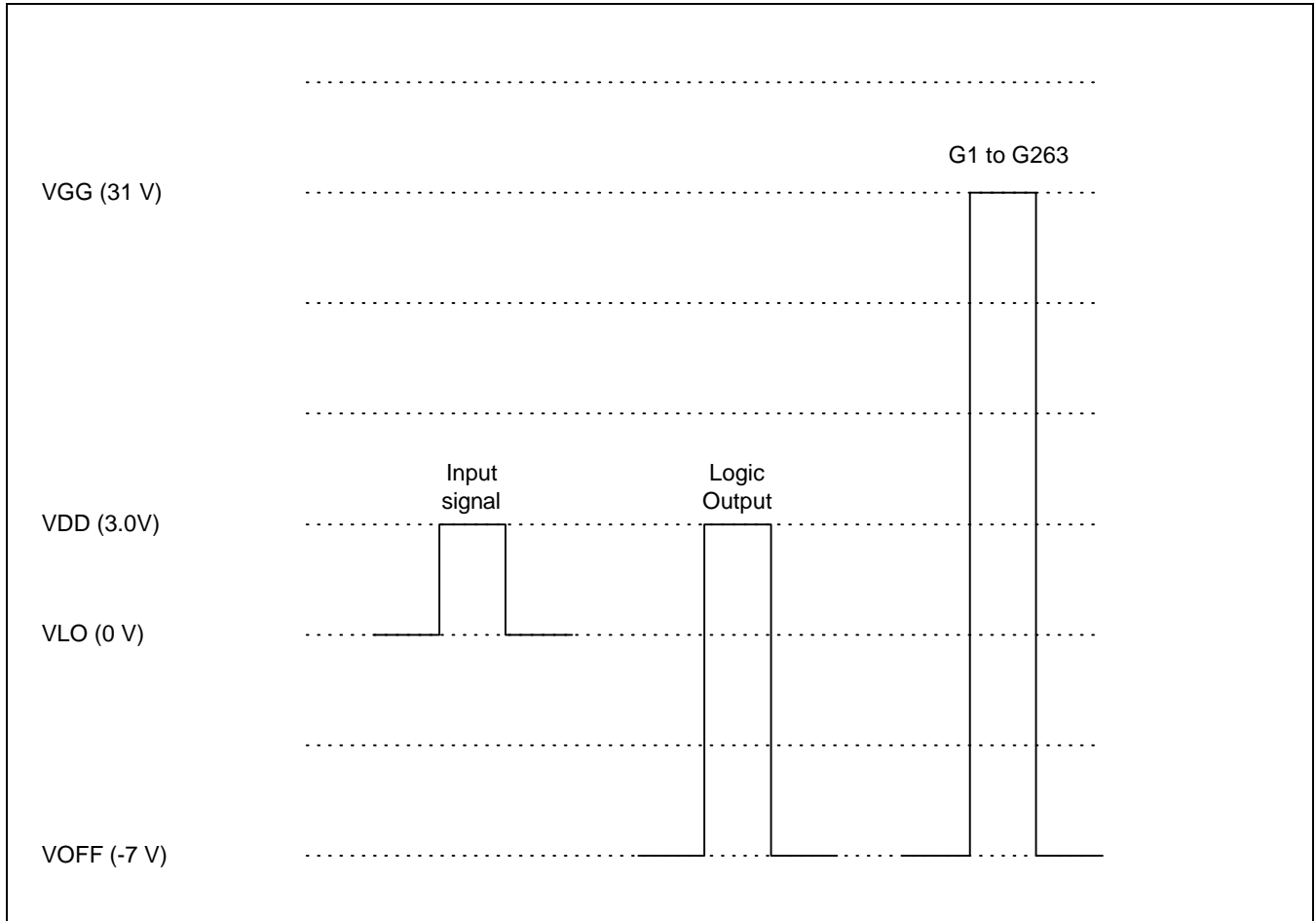


Figure 4. Example of Voltage Biasing

RECOMMENDED TIMING

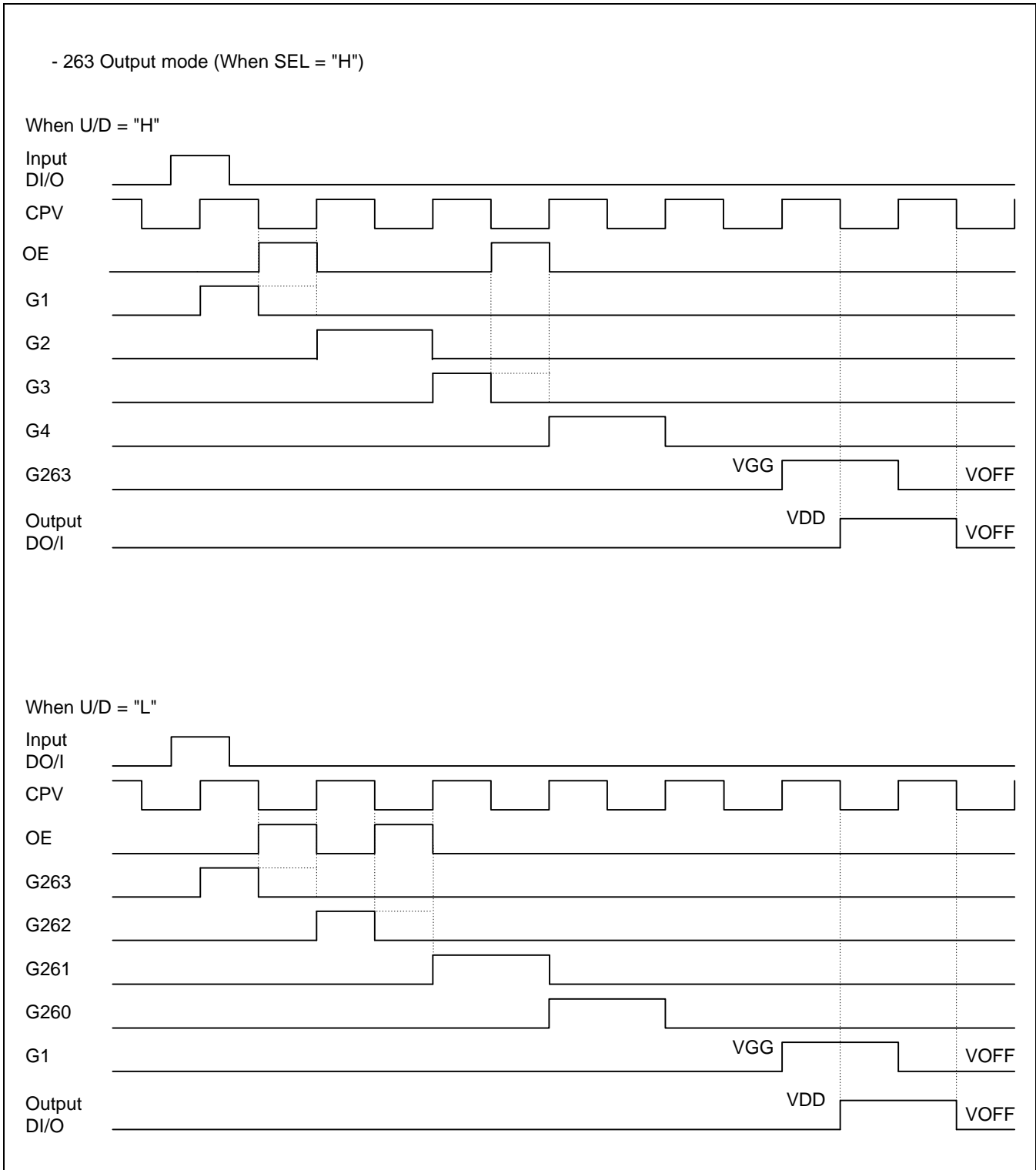


Figure 5. Recommended Timing

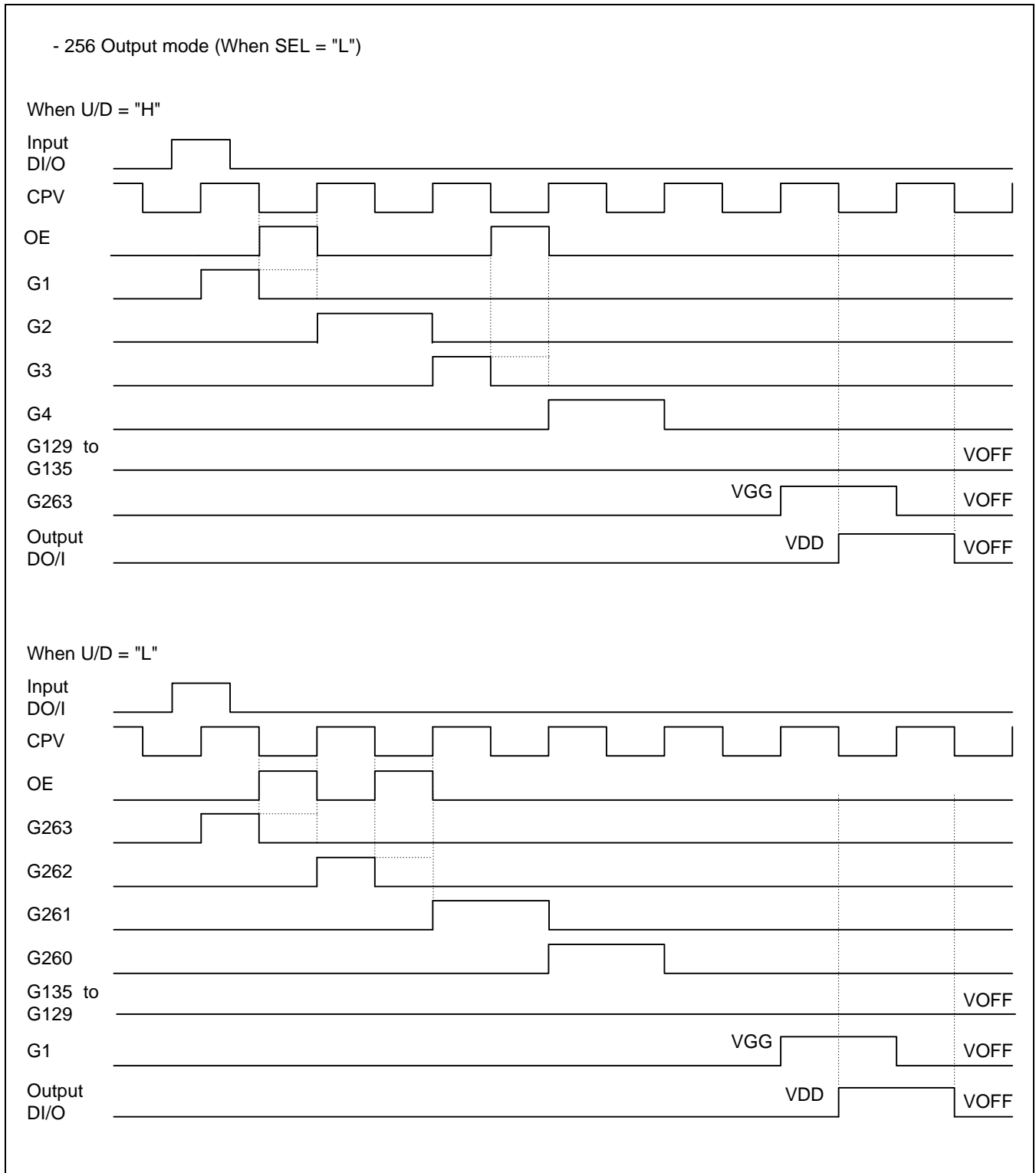


Figure 5. Recommended Timing (Continued)

NOTES