

1

PRODUCT OVERVIEW

OVERVIEW

The KS57C3204 single-chip CMOS microcontroller has been designed for high performance using Samsung's newest 4-bit CPU core, SAM47 (Samsung Arrangeable Microcontrollers).

With features such as LCD direct drive capability, 4-channel A/D converter, 24-bit AM/FM frequency counter and watch timer, the KS57C3204 offers an excellent design solution for a wide variety of applications that require LCD functions and audio applications.

Up to 32 pins of the 64-pin QFP package, it can be dedicated to I/O. Five vectored interrupts provide fast response to internal and external events. In addition, the KS57C3204's advanced CMOS technology provides for low power consumption and a wide operating voltage range.

OTP

The KS57C3204 microcontroller is also available in OTP (One Time Programmable) version, KS57P3204. The KS57P3204 microcontroller has an on-chip 4-Kbyte one-time-programmable EPROM instead of masked ROM. The KS57P3204 is comparable to KS57C3204, both in function and in pin configuration.

FEATURES

Memory

- 256 × 4-bit RAM
- 4096 × 8-bit ROM

I/O Pins

- Input only: 8 pins
- I/O: 16 pins
- Output only: 8 pins sharing with segment driver outputs

LCD Controller/Driver

- Maximum 14-digit LCD direct drive capability
- 28 segment and 4 common pins
- Display modes: Static, 1/2 duty (1/2 bias), 1/3 duty (1/2 or 1/3 bias), 1/4 duty (1/3 bias)
- Internal resistor circuit for LCD bias

8-Bit Basic Timer

- Programmable interval timer
- Watchdog timer

8-Bit Timer

- Programmable 8-bit timer

Watch Timer

- Real-time and interval time measurement
- Four frequency outputs to BUZ pin
- Clock source generation for LCD

24-Bit Frequency Counter (FC)

- Level = 300mVpp (Min.)
- AMF input range = 0.5 MHz to 10 MHz
- FMF input range = 30 MHz to 150 MHz

A/D Converter

- 4-channels with 8-bit resolution
- 17 μ s (Min.) conversion speed

Bit Sequential Carrier

- Support 16-bit serial data transfer in arbitrary format

Interrupts

- Two internal vectored interrupts
- Three external vectored interrupts
- Two quasi-interrupts

Memory-Mapped I/O Structure

- Data memory bank 15

Two Power-Down Modes

- Idle mode (only CPU clock stops)
- Stop mode (main system clock stops)
- Subsystem clock stops

Oscillation Sources

- Crystal, ceramic, or RC for main system clock
- Crystal or external oscillator for subsystem clock
- Main system clock frequency: 4.19 MHz (typical)
- Subsystem clock frequency: 32.768 kHz
- CPU clock divider circuit (by 4, 8, or 64)

Instruction Execution Times

- 0.95, 1.91, 15.3 μ s at 4.19 MHz (main)
- 122 μ s at 32.768 kHz (subsystem)

Operating Temperature

- -40 °C to 85 °C

Operating Voltage Range

- 1.8 V to 5.5 V at 3 MHz
- 3.0 V to 5.5 V at FC mode

Package Type

- 64-pin QFP

BLOCK DIAGRAM

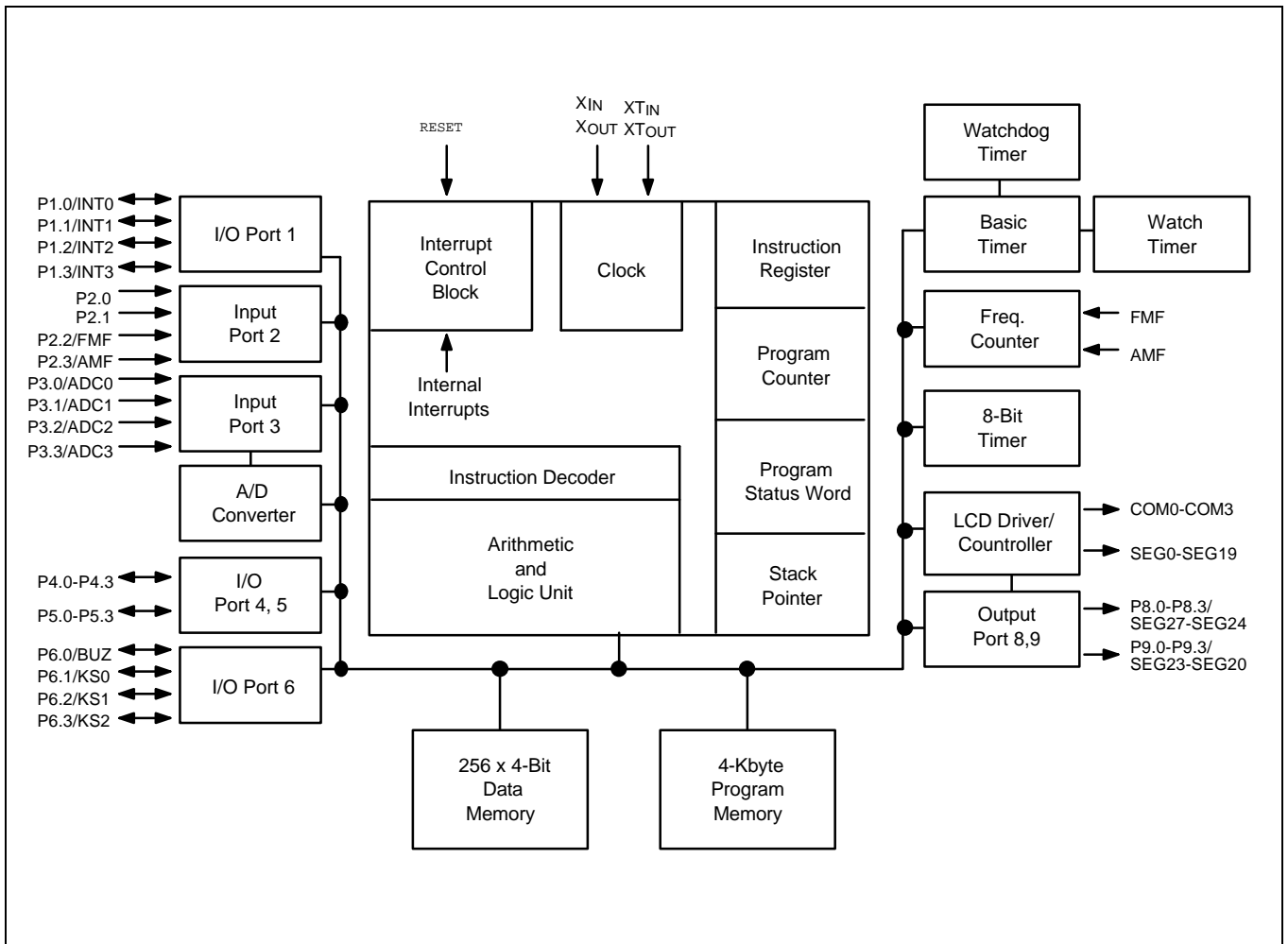


Figure 1-1. KS57C3204 Simplified Block Diagram

PIN ASSIGNMENTS

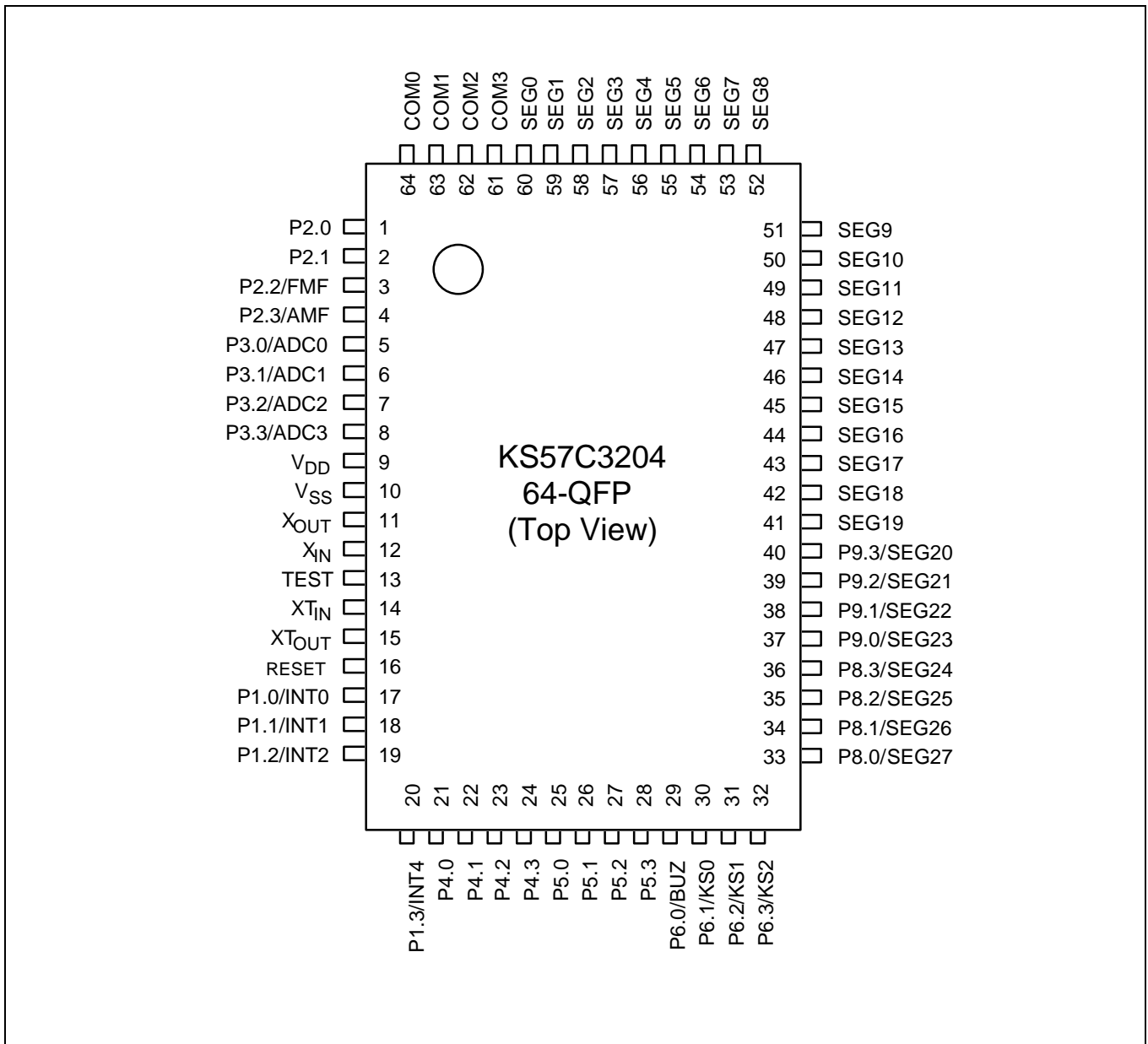


Figure 1-2. KS57C3204 64-QFP Pin Assignment

PIN DESCRIPTIONS

Table 1-1. KS57C3204 Pin Descriptions

Pin Name	Pin Type	Description	Number	Share Pin	Reset Value	Circuit Type
P1.0 P1.1 P1.2 P1.3	I/O	4-bit I/O port. 1-bit or 4-bit read, write, and test are possible. Each pin can be specified as input or output port. Pull-up resistors can be configured by software.	17 18 19 20	INT0 INT1 INT2 INT4	Input	D-4
P2.0 P2.1 P2.2 P2.3	I	4-bit input port. 1-bit and 4-bit read and test are possible. Pull-up resistors can be configured by software.	1 2 3 4	– – FMF AMF	Input	A-4 A-4 B-4 B-4
P3.0 P3.1 P3.2 P3.3	I	4-bit input port. 1-bit and 4-bit read and test are possible Pull-up resistors can be configured by software.	5 6 7 8	ADC0 ADC1 ADC2 ADC3	Input	F-13
P4.0–P4.3 P5.0–P5.3	I/O	4-bit I/O ports. N-channel open-drain output up to 5 V. 1-bit and 4-bit read, write, and test are possible. Ports 4 and 5 can be paired to support 8-bit data. Pull-up resistors can be configured by software.	21–24 25–28	– –	Input	E-2
P6.0 P6.1 P6.2 P6.3	I/O	1-bit and 4-bit read, write, and test are possible. Each pin can be specified as input or output port. Pull-up resistors can be configured by software.	29 30 31 32	BUZ KS0 KS1 KS2	Input	D-2 D-4 D-4 D-4
SEG0–SEG19	O	LCD segment signal output	60–61	–	Output	H-16
P8.0–P8.3 P9.0–P9.3	O	4-bit output ports. 1-bit and 4-bit write and test are possible. Ports 8 and 9 can be paired to support 8-bit data.	33–36 37–40	SEG27– SEG20	Output	H-16
COM0–COM3	O	LCD common signal output	64–61	–	Output	H-16
V _{DD}	–	Main power supply	9	–	–	–
V _{SS}	–	Main ground	10	–	–	–
X _{OUT} , X _{IN}	–	Crystal, ceramic, or RC oscillator pins for main system clock. (For external clock input, use X _{IN} and input X _{IN} 's reverse phase to X _{OUT})	11,12	–	–	–
XT _{OUT} , XT _{IN}	–	Crystal oscillator pin for a subsystem clock. (For external clock input, use XT _{IN} and input XT _{IN} 's reverse phase to XT _{OUT})	15,14	–	–	–

Table 1-1. KS57P3204 Pin Descriptions (Continued)

Pin Name	Pin Type	Description	Number	Share Pin	Reset Value	Circuit Type
SEG20–SEG27	O	LCD segment signal output	40–33	P9.0–P9.3 P8.0–P8.3	Output	H-16
ADC0–ADC3	I	ADC input ports	5–8	P3.0–P3.3	Input	F-13
FMF AMF	I	External FM/AM frequency inputs	3 4	P2.2 P2.3	Input	B-4
INT4	I	External interrupt input with detection of rising or falling edges.	20	P1.3	Input	A-4
INT2	I	Quasi-interrupt with detection of rising edge signals.	19	P1.2	Input	A-4
INT1 INT0	I	External interrupt. The triggering edges for INT0 and INT1 are able to be selected. Only INT0 is synchronized with the system clock.	18 17	P1.1 P1.0	Input	A-4
BUZ	O	2, 4, 8, or 16 kHz frequency output for buzzer sound with 4.19 MHz main system clock.	29	P6.0	Input	D-2
KS0–KS2	I	Quasi-interrupt input with falling edge detection.	30–32	P6.1–P6.3	Input	D-4
RESET	I	System reset signal	16	–	Input	B
TEST	–	System test pin(must be connected to V_{SS})	13	–	–	–

NOTE: Pull-up resistors for all I/O ports automatically disabled if they are configured to output mode.

PIN CIRCUIT DIAGRAMS

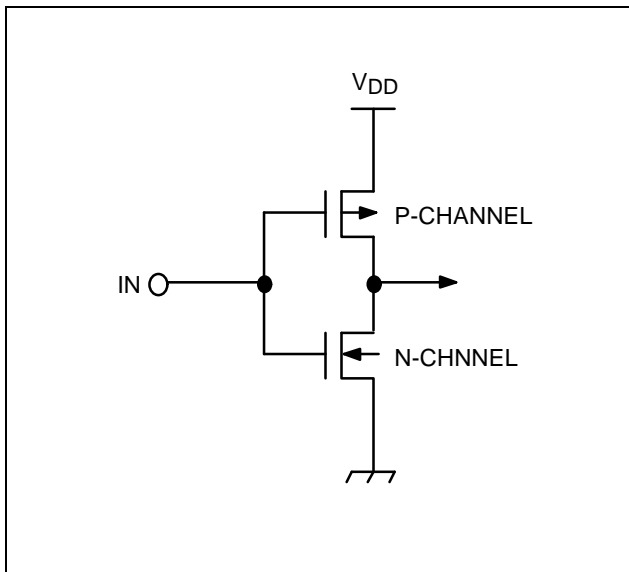


Figure 1-3. Pin Circuit Type A

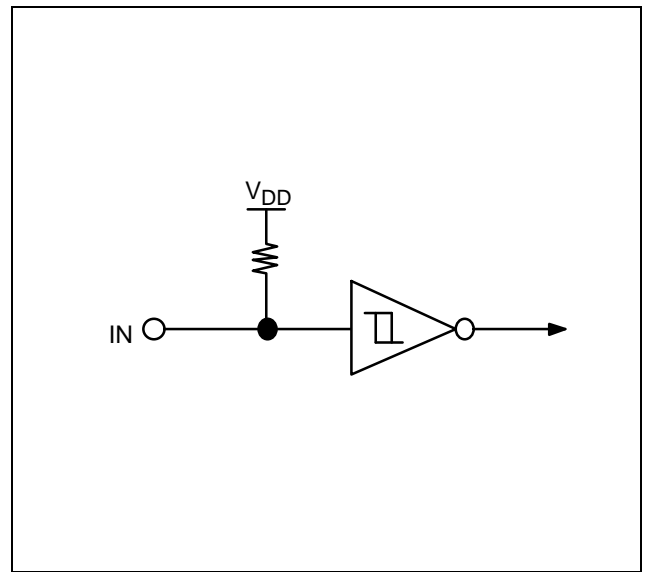


Figure 1-5. Pin Circuit Type B

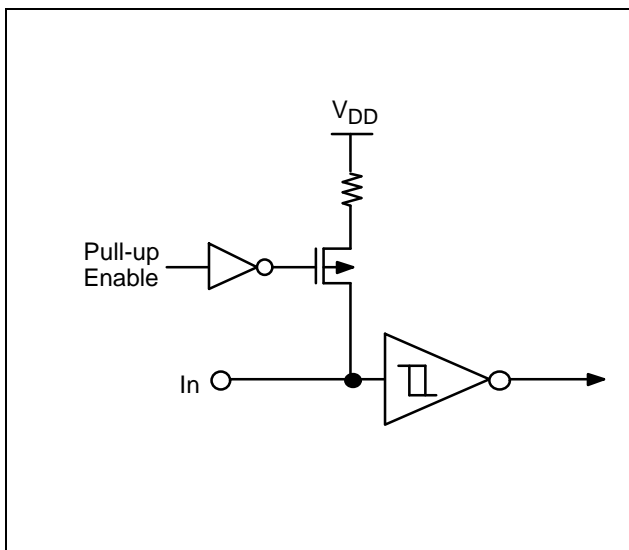


Figure 1-4. Pin Circuit Type A-4

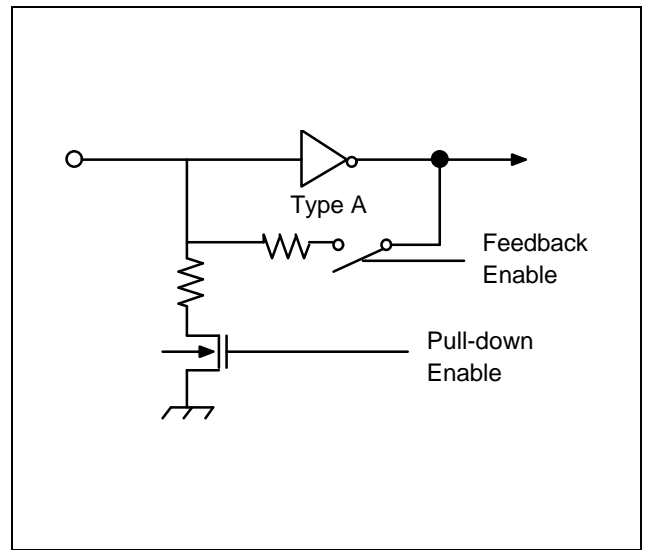


Figure 1-6. Pin Circuit Type B-4

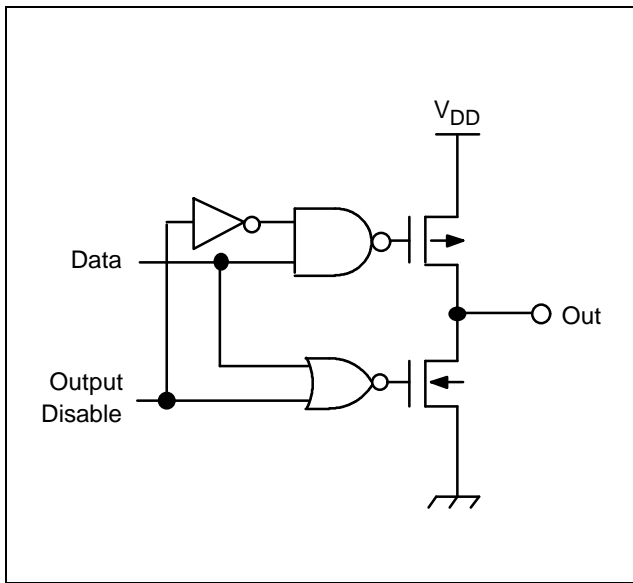


Figure 1-7. Pin Circuit Type C

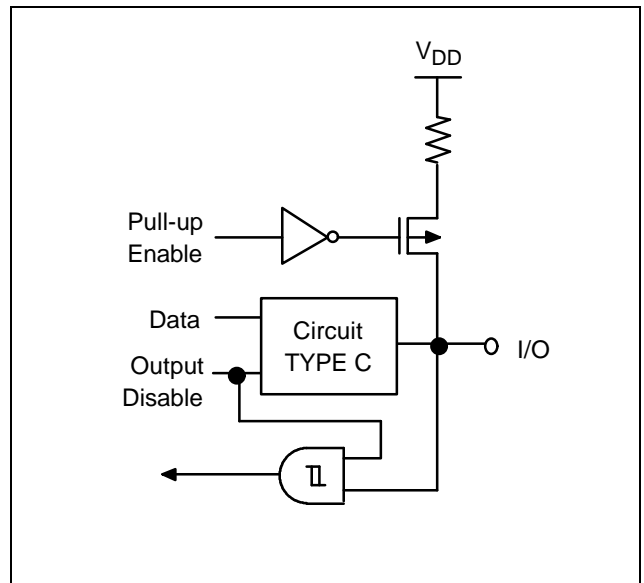


Figure 1-9. Pin Circuit Type D-4

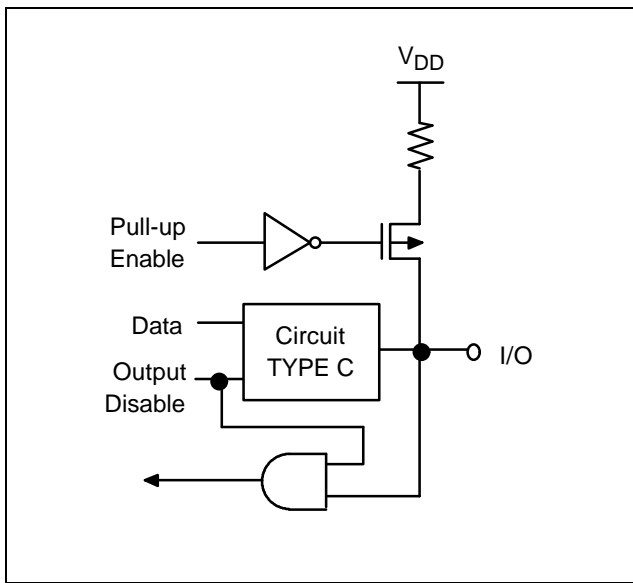


Figure 1-8. Pin Circuit Type D-2

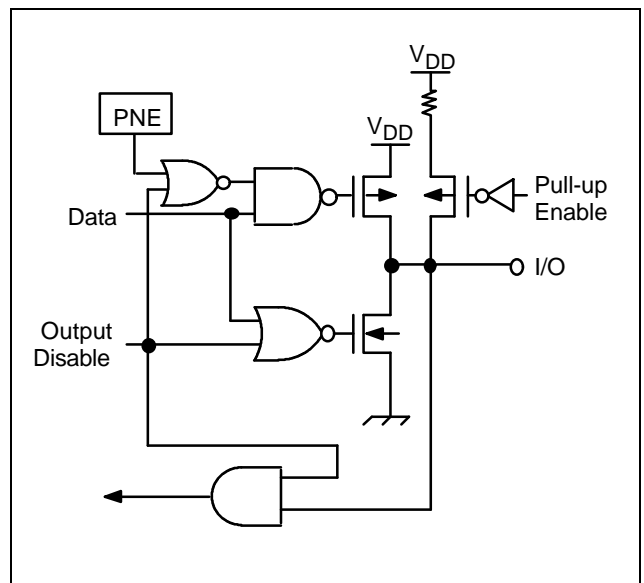


Figure 1-10. Pin Circuit Type E-2

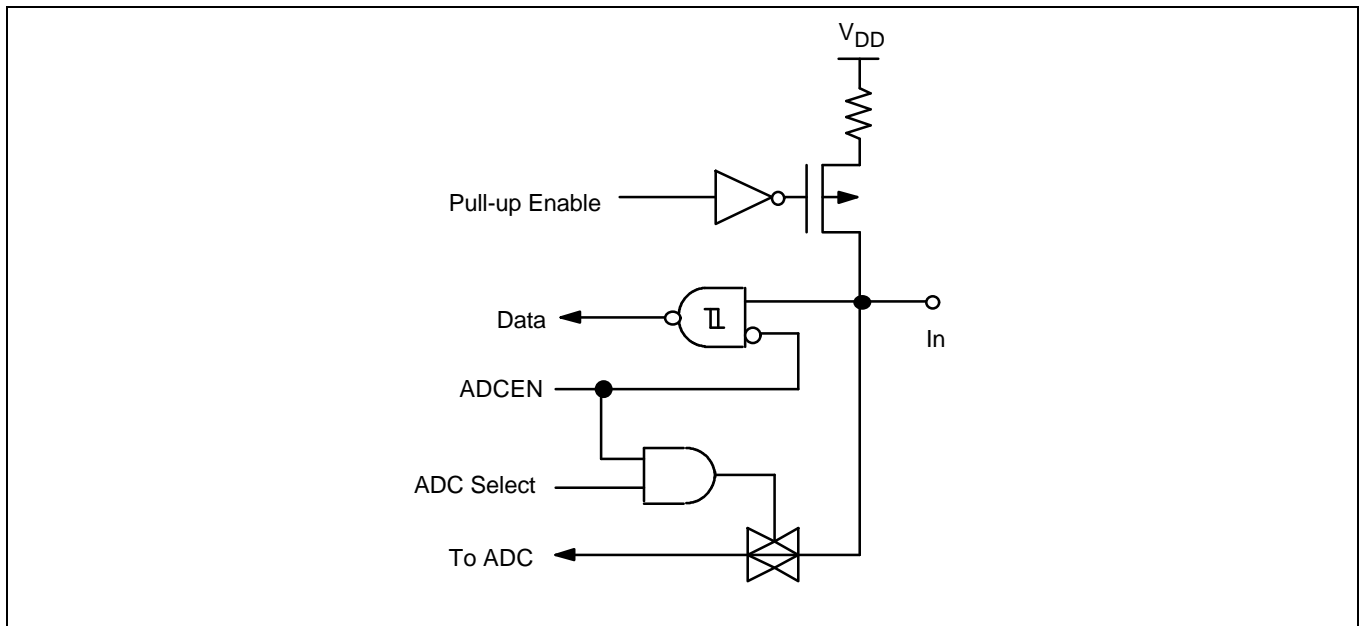


Figure 1-11. Pin Circuit Type F-13

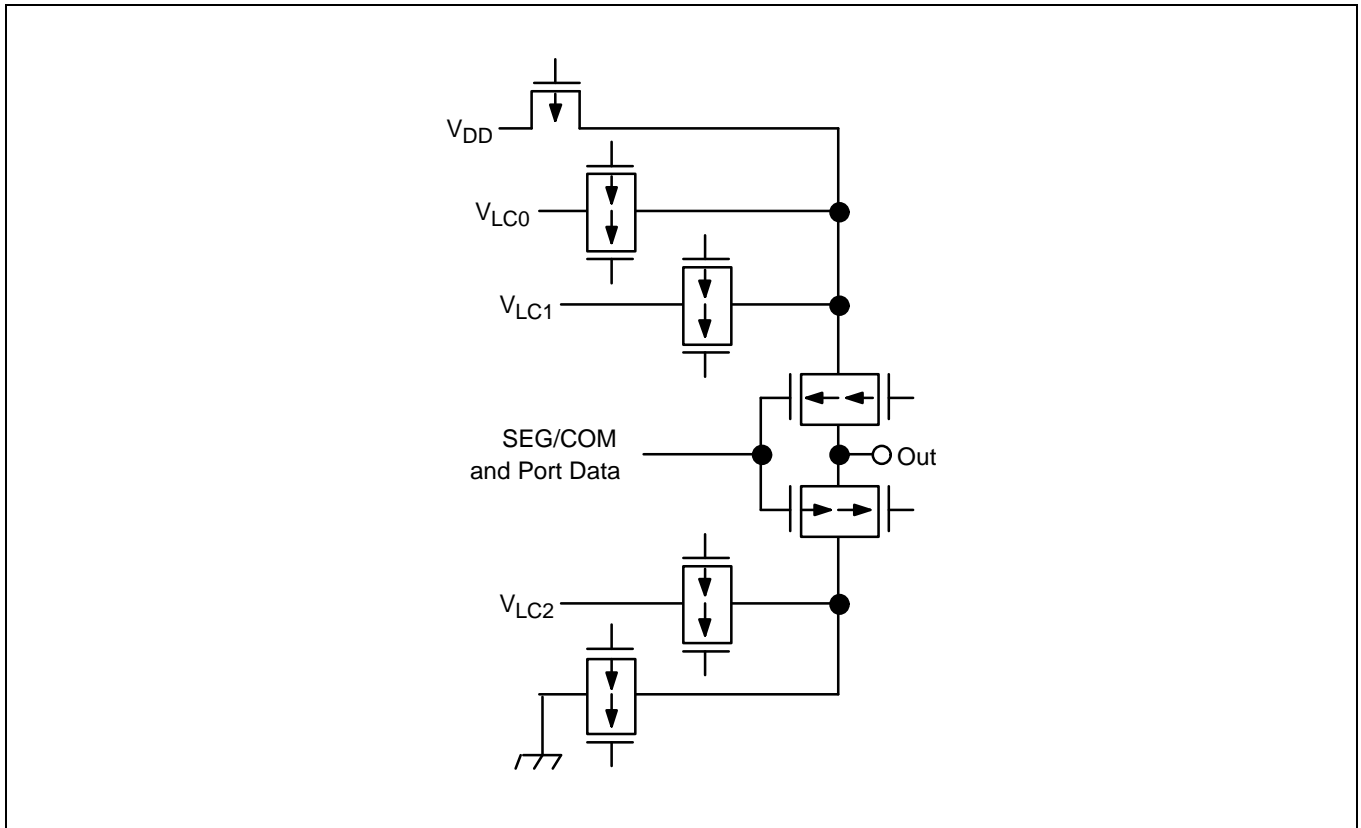


Figure 1-12. Pin Circuit Type H-16

15 ELECTRICAL DATA

OVERVIEW

In this section, information on KS57C3204 electrical characteristics is presented as tables and graphics. The information is arranged in the following order:

Standard Electrical Characteristics

- Absolute maximum ratings
- D.C. electrical characteristics
- Main system clock oscillator characteristics
- Subsystem clock oscillator characteristics
- I/O capacitance
- A.C. electrical characteristics
- Operating voltage range

Miscellaneous Timing Waveforms

- A.C timing measurement point
- Clock timing measurement at X_{IN}
- Clock timing measurement at XT_{IN}
- Input timing for RESET
- Input timing for external interrupts

Stop Mode Characteristics and Timing Waveforms

- RAM data retention supply voltage in stop mode
- Stop mode release timing when initiated by RESET
- Stop mode release timing when initiated by an interrupt request

Table 15-1. Absolute Maximum Ratings

 $(T_A = 25\text{ }^\circ\text{C})$

Parameter	Symbol	Conditions	Rating	Units
Supply Voltage	V_{DD}	–	– 0.3 to + 6.5	V
Input Voltage	V_{IN}	All I/O ports	– 0.3 to $V_{DD} + 0.3$	
Output Voltage	V_O	–	– 0.3 to $V_{DD} + 0.3$	
Output Current High	I_{OH}	One I/O port active	– 15	mA
		All I/O ports active	– 30	
Output Current Low	I_{OL}	One I/O port active	+ 30 (Peak value)	
			+ 15 (note)	
		Total value for ports 1, 4, 5 and 6	+ 100 (Peak value) + 60 (note)	
Operating Temperature	T_A	–	– 40 to + 85	$^\circ\text{C}$
Storage Temperature	T_{stg}	–	– 65 to + 150	

NOTE: The values for Output Current Low (I_{OL}) are calculated as Peak Value $\times \sqrt{\text{Duty}}$.

Table 15-2. D.C. Electrical Characteristics

 $(T_A = -40\text{ }^\circ\text{C}$ to $+85\text{ }^\circ\text{C}$, $V_{DD} = 1.8\text{ V}$ to 5.5 V)

Parameter	Symbol	Conditions	Min	Typ	Max	Units
Input high voltage	V_{IH1}	All input pins except those specified below	$0.7 V_{DD}$	–	V_{DD}	V
	V_{IH2}	P1, P3, RESET, P2.0–1 and P6.1–3	$0.8 V_{DD}$		V_{DD}	
	V_{IH3}	X_{IN} , X_{OUT} , XT_{IN} , and XT_{OUT}	$V_{DD} - 0.1$		V_{DD}	
Input low voltage	V_{IL1}	All input pins except those specified below	–	–	$0.3 V_{DD}$	V
	V_{IL2}	P1, P3, RESET, P2.0–1 and P6.1–3			$0.2 V_{DD}$	
	V_{IL3}	X_{IN} , X_{OUT} , XT_{IN} , and XT_{OUT}			0.1	
Output high voltage	V_{OH1}	$V_{DD} = 4.5\text{ V}$ to 5.5 V $I_{OH} = -1\text{ mA}$ Ports 1, 4, 5, and 6	$V_{DD} - 1.0$	–	–	V
	V_{OH2}	$V_{DD} = 4.5\text{ V}$ to 5.5 V $I_{OH} = -100\text{ }\mu\text{A}$ Port 8 and 9	$V_{DD} - 2.0$			

Table 15-2. D.C. Electrical Characteristics (Continued)

(T_A = -40 °C to +85 °C, V_{DD} = 1.8 V to 5.5 V)

Parameter	Symbol	Conditions	Min	Typ	Max	Units
Output low voltage	V _{OL1}	V _{DD} = 4.5 V to 5.5 V I _{OL} = 15 mA, Ports 1, 4, 5, and 6	–	0.4	2	V
	V _{OL2}	V _{DD} = 4.5 V to 5.5 V I _{OL} = 100 μA ; Ports 8 and 9	–	–	1	
Input high leakage current (note)	I _{LIH1}	V _{IN} = V _{DD} All input pins	–	–	3	μA
Input low leakage current (note)	I _{LIL1}	V _{IN} = 0 V All input pins	–	–	–3	
Output high leakage current (note)	I _{LOH1}	V _{OUT} = V _{DD} All output pins	–	–	3	
Output low leakage current (note)	I _{LOL}	V _{OUT} = 0 V All output pins	–	–	–3	
Pull-up resistor	R _{L1}	V _{IN} = 0 V; V _{DD} = 5 V Ports 1, 2, 3, 4, 5, and 6	20	40	80	
		V _{DD} = 3 V	30	95	200	
	R _{L2}	V _{IN} = 0 V; V _{DD} = 5 V RESET	100	230	400	
		V _{DD} = 3 V	200	480	800	

NOTE: Except for X_{IN}, X_{OUT}, XT_{IN}, and XT_{OUT}

Table 15-2. D.C. Electrical Characteristics (Continued)

(T_A = -40 °C to +85 °C, V_{DD} = 1.8 V to 5.5 V)

Parameter	Symbol	Conditions	Min	Typ	Max	Units
LCD voltage dividing resistor	R _{LCD}	T _A = 25 °C	60	84	130	KΩ
COM output impedance	R _{COM}	V _{DD} = 5 V	-	3	6	
		V _{DD} = 3 V		5	15	
SEG output impedance	R _{SEG}	V _{DD} = 5 V	-	3	6	
		V _{DD} = 3 V		5	15	
COM output voltage deviation	V _{DC}	V _{DD} = 5 V (V _{LCO} -COMi) I _o = ± 15μA (I = 0-3)	-	± 45	± 90	mV
SEG output voltage deviation	V _{DS}	V _{DD} = 5 V (V _{LCO} -SEGi) I _o = ± 15μA (I = 0-27)	-	± 45	± 90	
Oscillator feedback resistor	R _{OSC1}	V _{DD} = 5.0 V; T _A = 25; X _{IN} = V _{DD} , X _{OUT} = 0 V	300	600	1500	KΩ
	R _{OSC2}	V _{DD} = 5.0 V; T _A = 25; X _{TIN} = V _{DD} , X _{TOUT} = 0 V	1230	2630	4000	

Table 15-2. D.C. Electrical Characteristics (Concluded)

(T_A = -40 °C to +85 °C, V_{DD} = 1.8 V to 5.5 V)

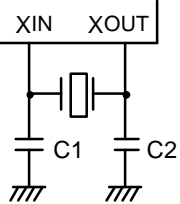
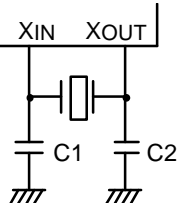
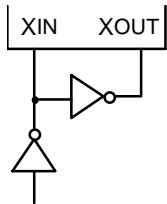
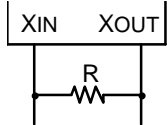
Parameter	Symbol	Conditions	Min	Typ	Max	Units		
Supply Current ⁽¹⁾	I _{DD1}	Main operating: FC enable PCON = 0011B, SCMOD = 0000B Crystal oscillator C1 = C2 = 22 pF V _{DD} = 5 V ± 10%	4.19 MHz	–	5.2	10	mA	
		I _{DD2} ⁽²⁾	Main operating: PCON = 0011B, SCMOD = 0000B Crystal oscillator C1 = C2 = 22 pF V _{DD} = 5 V ± 10%	6.0 MHz	–	3.5		8
	4.19 MHz			2.5		5.5		
	V _{DD} = 3 V ± 10%		6.0 MHz	1.6	4			
			4.19 MHz	1.2	3			
	I _{DD3} ⁽²⁾	Main idle mode ⁽³⁾ : PCON = 0111B, SCMOD = 0000B Crystal oscillator C1 = C2 = 22 pF V _{DD} = 5 V ± 10%	6.0 MHz	–	1.0	2.5		
			4.19 MHz		0.9	2.0		
		V _{DD} = 3 V ± 10%	6.0 MHz	0.5	1.0			
			4.19 MHz	0.4	0.8			
	I _{DD4} ⁽²⁾	Sub operating mode: PCON = 0011B, SCMOD = 1001B V _{DD} = 3 V ± 10% 32 kHz crystal oscillator		–	15	30		uA
	I _{DD5} ⁽²⁾	Sub idle mode: PCON = 0111B, SCMOD = 1001B V _{DD} = 3 V ± 10% 32 kHz crystal oscillator		–	6	15		
	I _{DD6} ⁽²⁾	Stop mode: CPU = f _{xt} /4, SCMOD = 1101B V _{DD} = 5 V ± 10%		–	0.5	3		
I _{DD7} ⁽²⁾	Stop mode: CPU = f _x /4, SCMOD = 0100B V _{DD} = 5 V ± 10%		–					

NOTES:

- Supply current does not include current drawn through internal pull-up resistors and LCD voltage dividing resistors.
- AMF or FMF is a normal input mode.
- Data includes the power consumption for sub-system clock oscillation.

Table 15-3. Main System Clock Oscillator Characteristics

(T_A = -40 °C + 85 °C, V_{DD} = 1.8 V to 5.5 V)

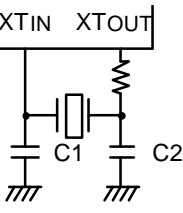
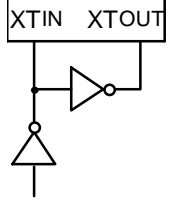
Oscillator	Clock Configuration	Parameter	Test Condition	Min	Typ	Max	Units
Ceramic Oscillator		Oscillation frequency (1)	–	0.4	–	6.0	MHz
		Stabilization time (2)	Stabilization occurs when V _{DD} is equal to the minimum oscillator voltage range.	–	–	4	ms
Crystal Oscillator		Oscillation frequency (1)	–	0.4	–	6.0	MHz
		Stabilization time (2)	V _{DD} = 2.7 V to 5.5 V	–	–	10	ms
			V _{DD} = 1.8 V to 2.7 V	–	–	30	
External Clock		X _{IN} input frequency (1)	–	0.4	–	6.0	MHz
		X _{IN} input high and low level width (t _{XH} , t _{XL})	–	83.3	–	–	ns
RC Oscillator		Frequency (1)	V _{DD} = 5 V R = 15 KΩ, V _{DD} = 5 V R = 25 KΩ, V _{DD} = 3 V	0.4	– 2.0 1.0	2.5	MHz

NOTES:

- Oscillation frequency and X_{IN} input frequency data are for oscillator characteristics only.
- Stabilization time is the interval required for oscillator stabilization after a power-on occurs, or when stop mode is terminated.

Table 15-4. Subsystem Clock Oscillator Characteristics

($T_A = -40\text{ }^\circ\text{C} + 85\text{ }^\circ\text{C}$, $V_{DD} = 1.8\text{ V to } 5.5\text{ V}$)

Oscillator	Clock Configuration	Parameter	Test Condition	Min	Typ	Max	Units
Crystal Oscillator		Oscillation frequency (1)	–	32	32.768	35	kHz
		Stabilization time (2)	$V_{DD} = 2.7\text{ V to } 5.5\text{ V}$	–	1.0	2	s
			$V_{DD} = 1.8\text{ V to } 2.7\text{ V}$	–	–	10	
External Clock		XT_{IN} input frequency (1)	–	32	–	100	kHz
		XT_{IN} input high and low level width (t_{XTL} , t_{XTH})	–	5	–	15	μs

NOTES:

- Oscillation frequency and XT_{IN} input frequency data are for oscillator characteristics only.
- Stabilization time is the interval required for oscillator stabilization after a power-on occurs.

Table 15-5. Input/Output Capacitance

 $(T_A = 25\text{ }^\circ\text{C}, V_{DD} = 0\text{ V})$

Parameter	Symbol	Condition	Min	Typ	Max	Units
Input capacitance	C_{IN}	$f_{CLK} = 1\text{ MHz}$; Unmeasured pins are returned to V_{SS}	–	–	15	pF
Output capacitance	C_{OUT}		–	–	15	pF
I/O capacitance	C_{IO}		–	–	15	pF

Table 15-6. A.C. Electrical Characteristics

 $(T_A = -40\text{ }^\circ\text{C to } +85\text{ }^\circ\text{C}, V_{DD} = 1.8\text{ V to } 5.5\text{ V})$

Parameter	Symbol	Conditions	Min	Typ	Max	Units
Instruction cycle time (1)	t_{CY}	$V_{DD} = 2.7\text{ V to } 5.5\text{ V}$	0.67	–	64	μs
		$V_{DD} = 1.8\text{ V to } 5.5\text{ V}$	1.3		64	
Interrupt input high, low width	t_{INTH}, t_{INTL}	INT0	(2)	–	–	μs
		INT1, INT2, INT4, KS0–KS2	10			
RESET Input Low Width	t_{RSL}	Input	10	–	–	μs

NOTES:

- Unless otherwise specified, Instruction Cycle Time condition values assume a main system clock/4 (fx/4) source.
- Minimum value for INT0 is based on a clock of $2t_{CY}$ or $128/f_{xx}$ as assigned by the IMOD0 register setting.

Table 15-6. A.C. Electrical Characteristics (continued)

 $(T_A = -10\text{ }^\circ\text{C to } +70\text{ }^\circ\text{C}, V_{DD} = 3.5\text{ V to } 5.5\text{ V})$

Parameter	Symbol	Conditions	Min	Typ	Max	Units
A/D converting Resolution	–	–	8	8	8	bits
Absolute accuracy	–	–	–	–	± 2	LSB
AD conversion time	t_{CON}	–	17	$34/f_{xx}$ (note)	–	μs
Analog input voltage	V_{IAN}	–	V_{SS}	–	V_{DD}	V
Analog input impedance	R_{AN}	–	2	1000	–	M Ω

NOTE: fxx stands for the system clock (fx or fxt).

Table 15-6. A.C. Electrical Characteristics (continued)

($T_A = -40\text{ }^\circ\text{C}$ to $+85\text{ }^\circ\text{C}$, $V_{DD} = 3.0\text{ V}$ to 5.5 V)

Parameter	Symbol	Conditions	Min	Typ	Max	Units
Input voltage (peak to peak)	V_{IN}	AMF/FMF mode, sine wave input	0.3	–	V_{DD}	V
Frequency	f_{AMF}	AMF mode, sine wave input; $V_{IN} = 300\text{mV}_{P-P}$	0.5	–	10	MHz
	f_{FMF}	FMF mode, sine wave input; $V_{IN} = 300\text{mV}_{P-P}$	30		150	

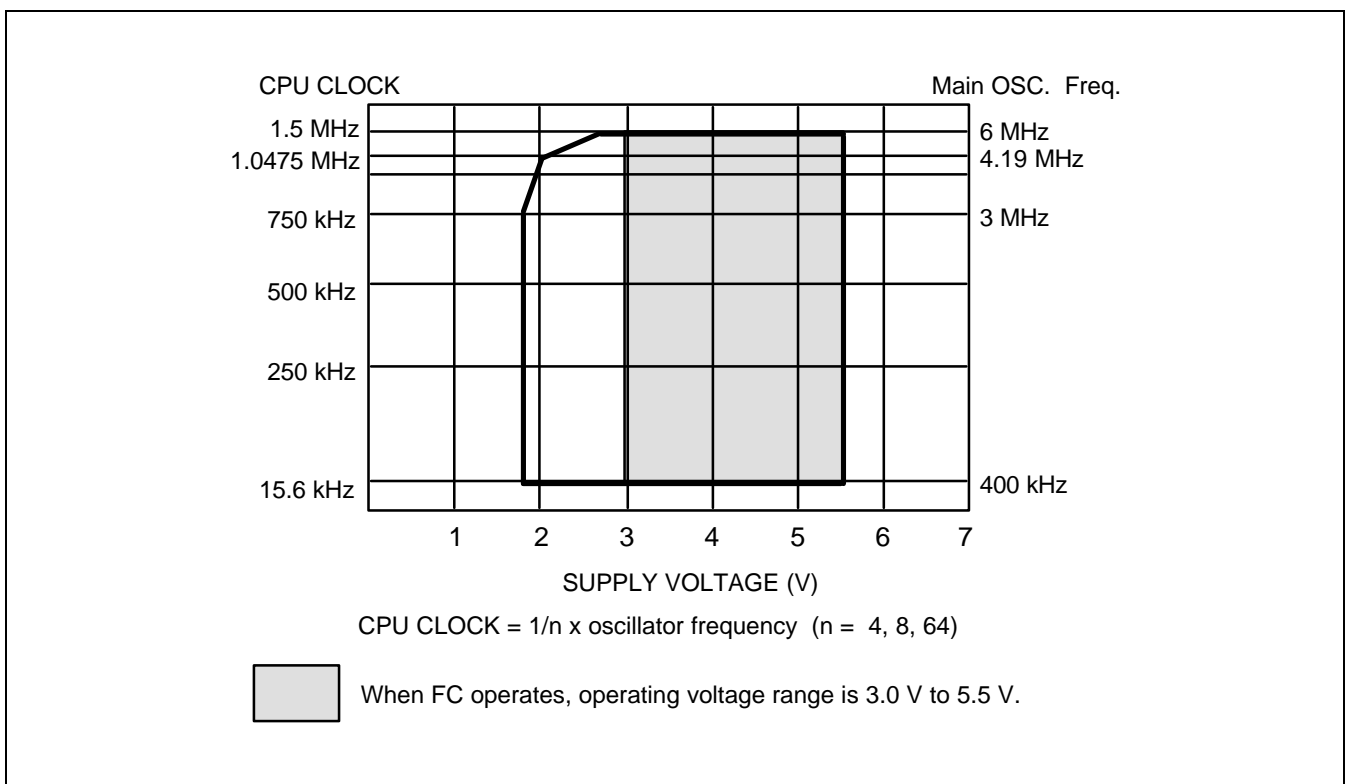


Figure 15-1. Standard Operating Voltage Range

Table 15-7. RAM Data Retention Supply Voltage in Stop Mode

($T_A = -40\text{ }^\circ\text{C}$ to $+85\text{ }^\circ\text{C}$)

Parameter	Symbol	Conditions	Min	Typ	Max	Unit
Data retention supply voltage	V_{DDDR}	Normal operation	1.8	–	5.5	V
Data retention supply current	I_{DDDR}	$V_{DDDR} = 1.8\text{ V}$	–	0.1	1	μA

TIMING WAVEFORMS

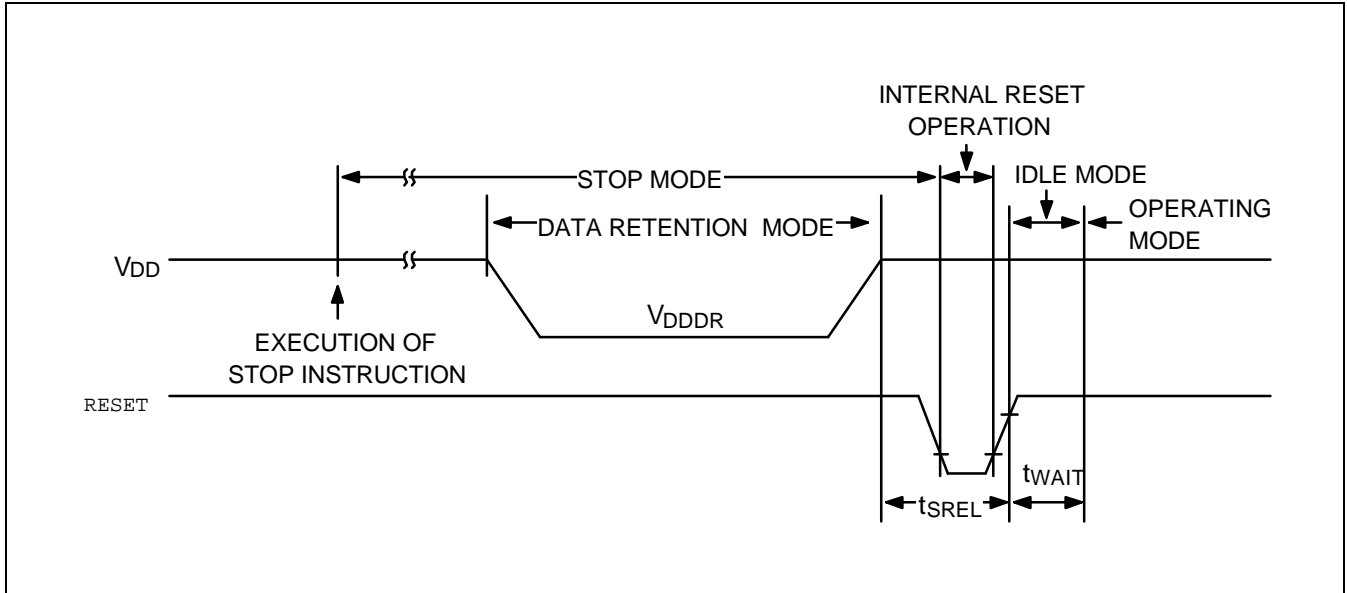


Figure 15-2. Stop Mode Release Timing When Initiated by RESET

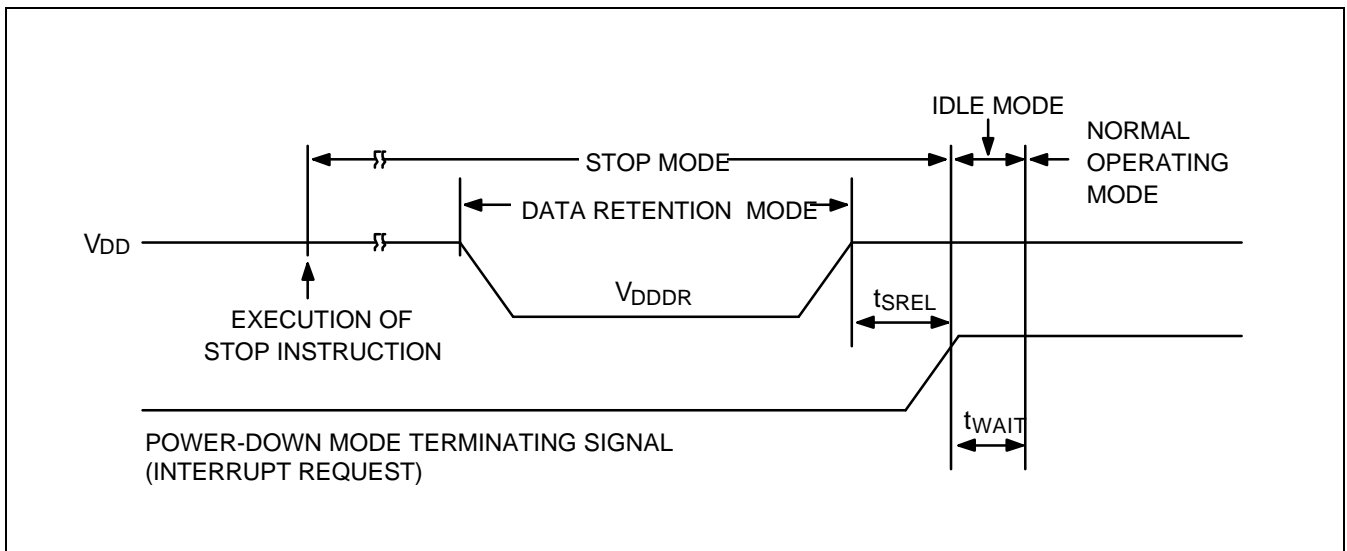


Figure 15-3. Stop Mode Release Timing When Initiated by an Interrupt Request

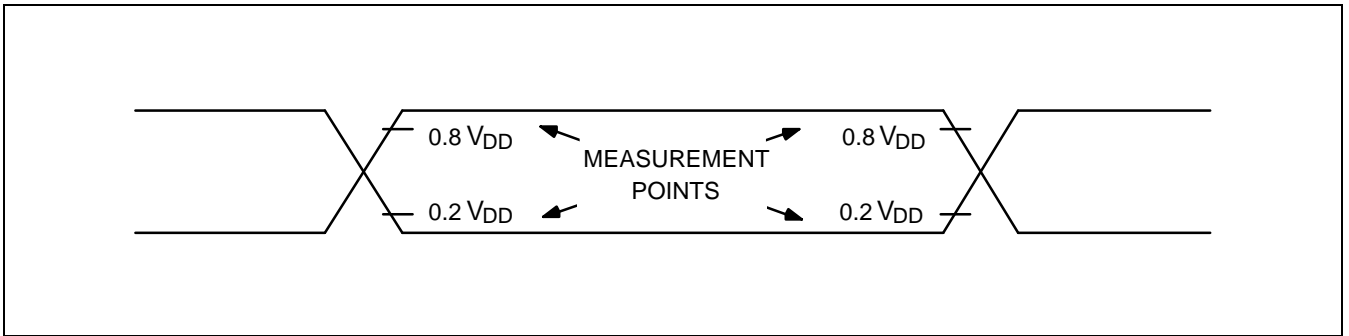


Figure 15-4. A.C. Timing Measurement Points (Except for X_{in} and XT_{in})

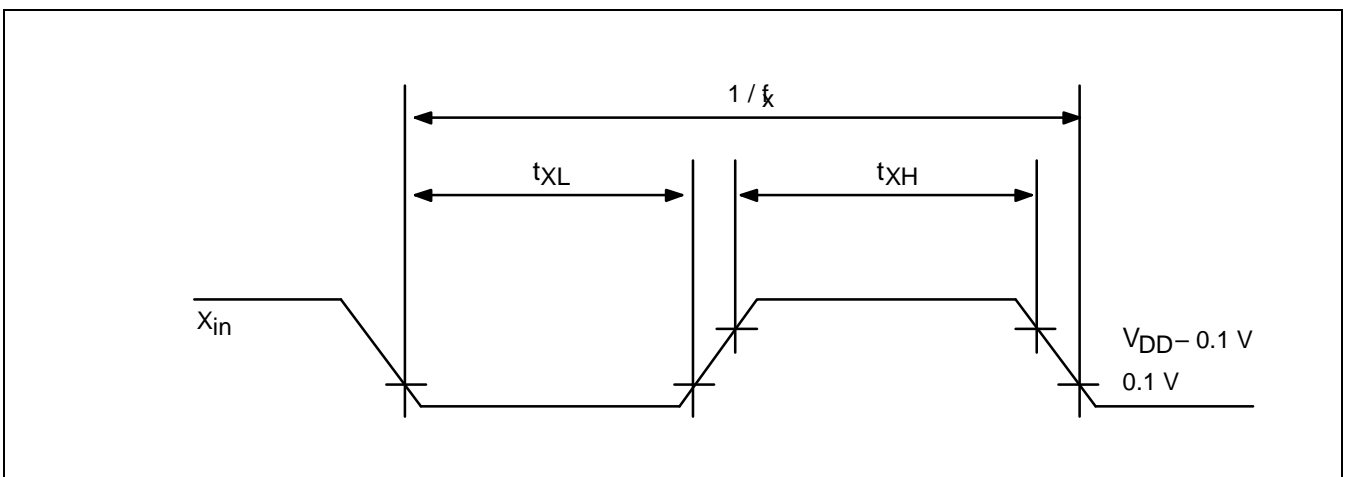


Figure 15-5. Clock Timing Measurement at X_{in}

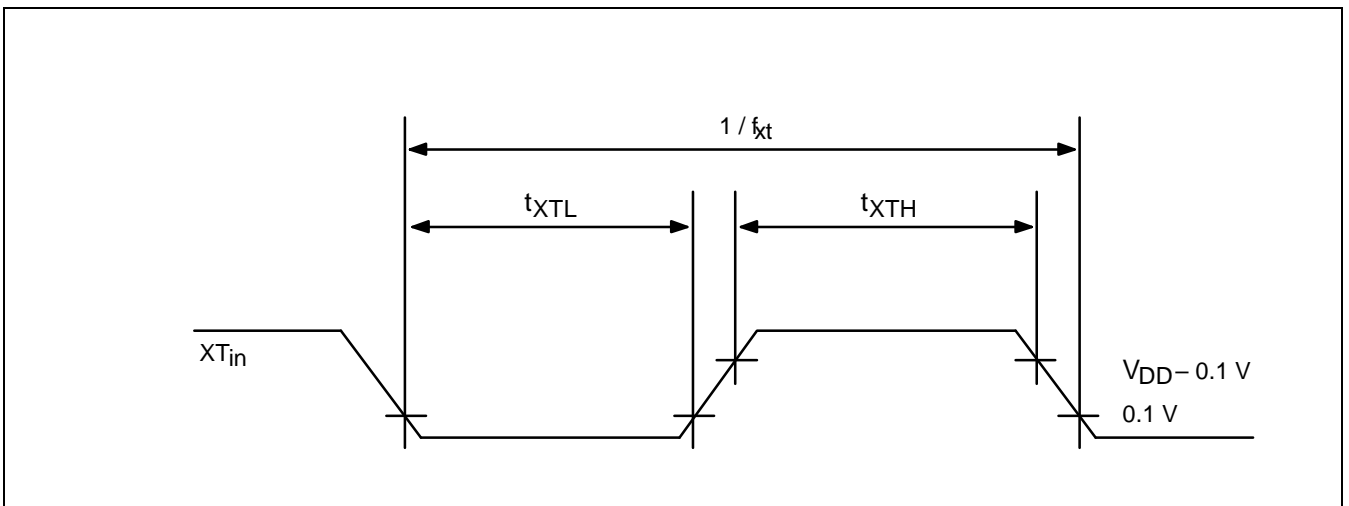


Figure 15-6. Clock Timing Measurement at XT_{in}

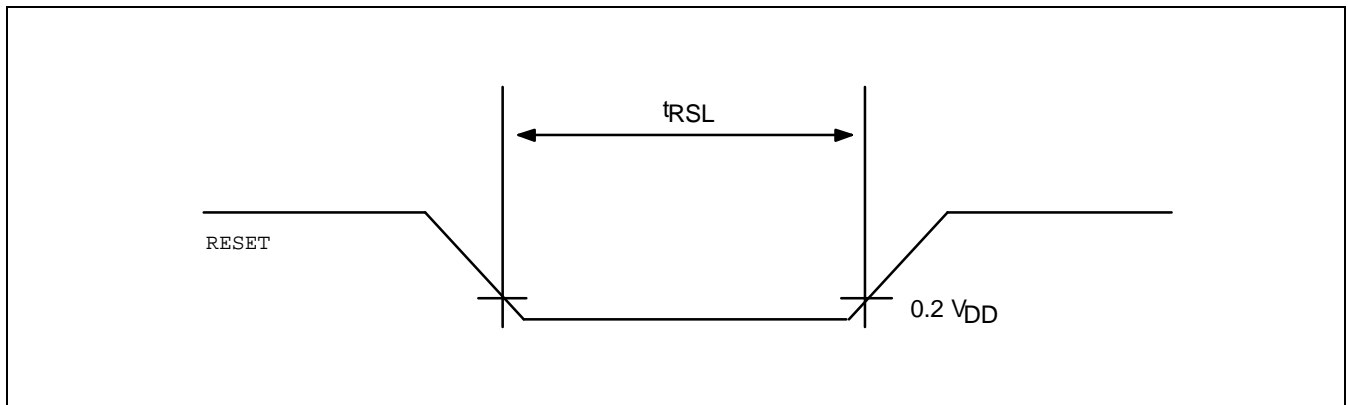


Figure 15-7. Input Timing for RESET Signal

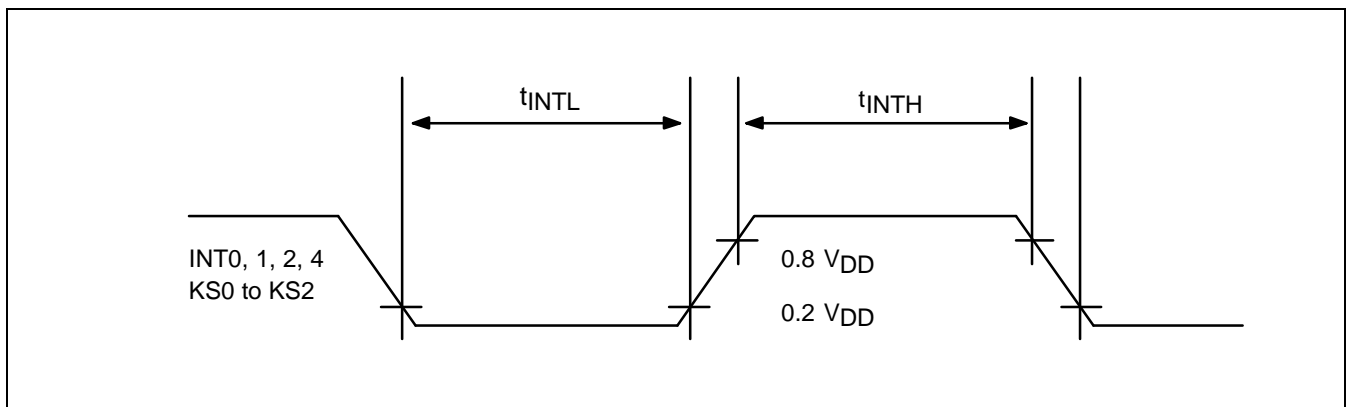


Figure 15-8. Input Timing for External Interrupts and Quasi-Interrupts

16 MECHANICAL DATA

OVERVIEW

The KS57C3204 microcontroller is available in a 64-pin QFP package (Samsung: 64-QFP-1420F). Package dimensions are shown in Figure 16-1.

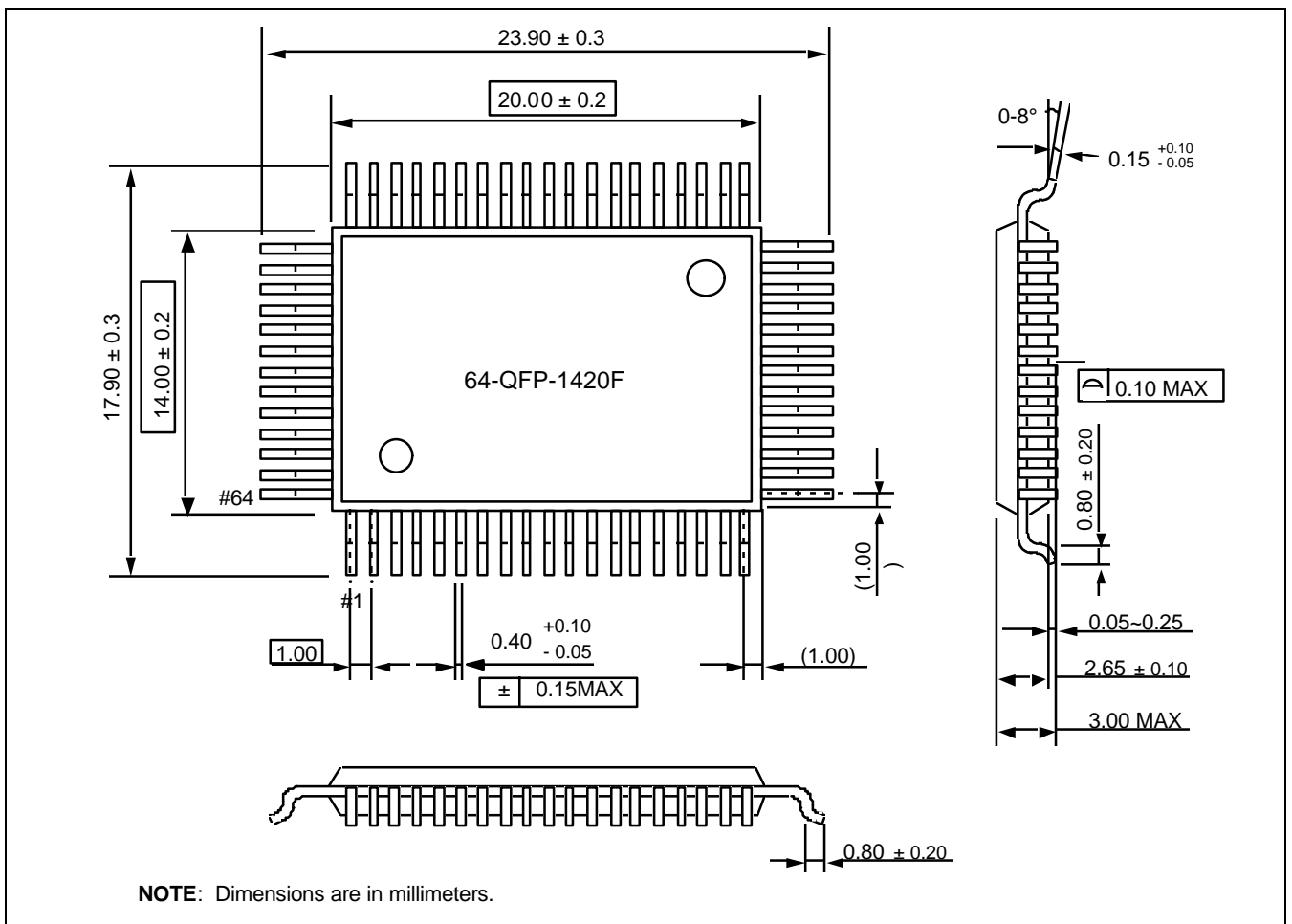


Figure 16-1. 64-QFP-1420F Package Dimensions

NOTES

17

KS57P3204 OTP

OVERVIEW

The KS57P3204 single-chip CMOS microcontroller is the OTP (One Time Programmable) version of the KS57C3204 microcontroller. It has an on-chip EPROM instead of masked ROM. The EPROM is accessed by a serial data format.

The KS57P3204 is fully compatible with the KS57C3204, both in function and in pin configuration. Because of its simple programming requirements, the KS57P3204 is ideal for use as an evaluation chip for the KS57C3204.

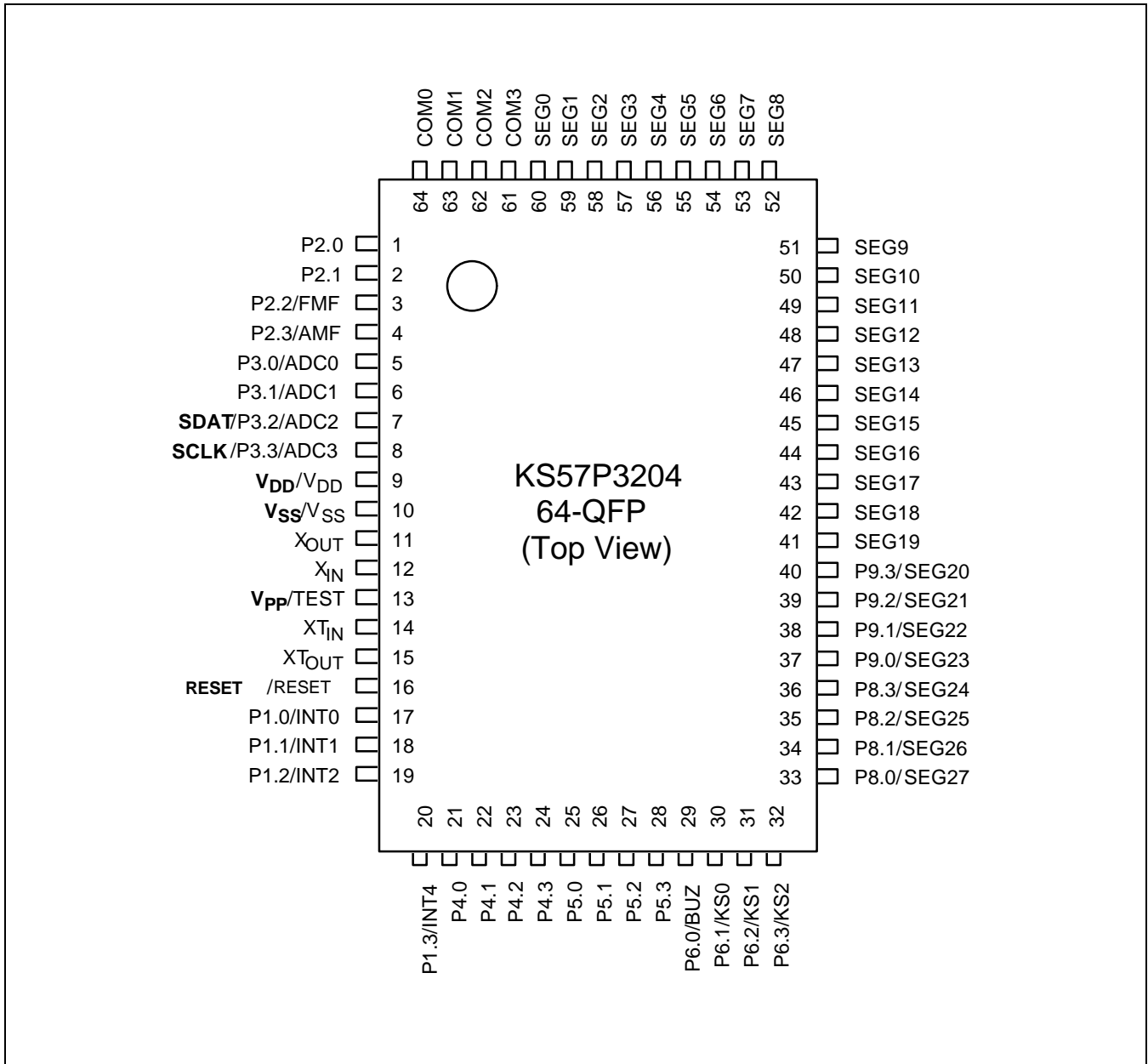


Figure 17-1. KS57P3204 Pin Assignments (64-QFP)

Table 17-1. Pin Descriptions Used to Read/Write the EPROM

Main Chip	During Programming			
Pin Name	Pin Name	Pin No.	I/O	Function
P3.2	SDAT	7	I/O	Serial data pin. Output port when reading and input port when writing. Can be assigned as a Input or push-pull output port.
P3.3	SCLK	8	I/O	Serial clock pin. Input only pin.
TEST	V _{PP} (TEST)	13	I	Power supply pin for EPROM cell writing (indicates that OTP enters into the writing mode). When 12.5 V is applied, OTP is in writing mode and when 5 V is applied, OTP is in reading mode.
RESET	RESET	16	I	Chip initialization
V _{DD} / V _{SS}	V _{DD} / V _{SS}	9/10	I	Logic power supply pin. V _{DD} should be tied to +5 V during programming.

Table 17-2. Comparison of KS57P3204 and KS57C3204 Features

Characteristic	KS57P3204	KS57C3204
Program Memory	4K bytes EPROM	4K bytes mask ROM
Operating Voltage (V _{DD})	2.0 V to 5.5 V at 4.19 MHz 1.8 V to 5.5 V at 3 MHz	2.0 V to 5.5 V at 4.19 MHz 1.8 V to 5.5 V at 3 MHz
OTP Programming Mode	V _{DD} = 5 V, V _{PP} (TEST) = 12.5 V	–
Pin Configuration	64 QFP	64 QFP
EPROM Programmability	User Program 1 time	Programmed at the factory

OPERATING MODE CHARACTERISTICS

When 12.5 V is supplied to the V_{pp} (TEST) pin of the KS57P3204, the EPROM programming mode is entered. The operating mode (read, write, or read protection) is selected according to the input signals to the pins listed in Table 17-3 below.

Table 17-3. Operating Mode Selection Criteria

V _{DD}	V _{pp} (TEST)	REG/MEM	Address (A15-A0)	R/w	Mode
5 V	5 V	0	0000H	1	EPROM read
	12.5 V	0	0000H	0	EPROM program
	12.5 V	0	0000H	1	EPROM verify
	12.5 V	1	0E3FH	0	EPROM read protection

NOTE: "0" means low level; "1" means high level.

Table 17-4. D.C. Electrical Characteristics

(T_A = -40 °C to +85 °C, V_{DD} = 1.8 V to 5.5 V)

Parameter	Symbol	Conditions	Min	Typ	Max	Units
Input high voltage	V _{IH1}	All input pins except those specified below	0.7 V _{DD}	-	V _{DD}	V
	V _{IH2}	P1, P3, RESET, P2.0-1 and P6.1-3	0.8 V _{DD}		V _{DD}	
	V _{IH3}	X _{IN} , X _{OUT} , XT _{IN} , and XT _{OUT}	V _{DD} - 0.1		V _{DD}	
Input low voltage	V _{IL1}	All input pins except those specified below	-	-	0.3 V _{DD}	V
	V _{IL2}	P1, P3, RESET, P2.0-1 and P6.1-3			0.2 V _{DD}	
	V _{IL3}	X _{IN} , X _{OUT} , XT _{IN} , and XT _{OUT}			0.1	
Output high voltage	V _{OH1}	V _{DD} = 4.5 V to 5.5 V I _{OH} = -1 mA Ports 1, 4, 5, and 6	V _{DD} - 1.0	-	-	V
	V _{OH2}	V _{DD} = 4.5 V to 5.5 V I _{OH} = -100 μA Port 8 and 9	V _{DD} - 2.0			

Table 17-4. D.C. Electrical Characteristics (Continued)

(T_A = -40 °C to +85 °C, V_{DD} = 1.8 V to 5.5 V)

Parameter	Symbol	Conditions	Min	Typ	Max	Units
Output low voltage	V _{OL1}	V _{DD} = 4.5 V to 5.5 V I _{OL} = 15 mA, Ports 1, 4, 5, and 6	–	0.4	2	V
	V _{OL2}	V _{DD} = 4.5 V to 5.5 V I _{OL} = 100 μA ; Ports 8 and 9	–	–	1	
Input high leakage current ^(note)	I _{LIH1}	V _{IN} = V _{DD} All input pins	–	–	3	μA
Input low leakage current ^(note)	I _{LIL1}	V _{IN} = 0 V All input pins	–	–	–3	
Output high leakage current ^(note)	I _{LOH1}	V _{OUT} = V _{DD} All output pins	–	–	3	
Output low leakage current ^(note)	I _{LOL}	V _{OUT} = 0 V All output pins	–	–	–3	
Pull-up resistor	R _{L1}	V _{IN} = 0 V; V _{DD} = 5 V Ports 1, 2, 3, 4, 5, and 6	20	40	80	KΩ
		V _{DD} = 3 V	30	95	200	
	R _{L2}	V _{IN} = 0 V; V _{DD} = 5 V RESET	100	230	400	
		V _{DD} = 3 V	200	480	800	

NOTE: Except for X_{IN}, X_{OUT}, XT_{IN}, and XT_{OUT}

Table 17-4. D.C. Electrical Characteristics (Continued)

(T_A = -40 °C to +85 °C, V_{DD} = 1.8 V to 5.5 V)

Parameter	Symbol	Conditions	Min	Typ	Max	Units
LCD voltage dividing resistor	R _{LCD}	T _A = 25 °C	60	84	130	KΩ
COM output impedance	R _{COM}	V _{DD} = 5 V	-	3	6	
		V _{DD} = 3 V		5	15	
SEG output impedance	R _{SEG}	V _{DD} = 5 V	-	3	6	
		V _{DD} = 3 V		5	15	
COM output voltage deviation	V _{DC}	V _{DD} = 5 V (V _{LCO} -COMi) I _o = ± 15uA (I = 0-3)	-	± 45	± 90	mV
SEG output voltage deviation	V _{DS}	V _{DD} = 5 V (V _{LCO} -SEGi) I _o = ± 15uA (I = 0-27)	-	± 45	± 90	
Oscillator feedback resistor	R _{OSC1}	V _{DD} = 5.0 V; T _A = 25; X _{IN} = V _{DD} , X _{OUT} = 0 V	300	600	1500	KΩ
	R _{OSC2}	V _{DD} = 5.0 V; T _A = 25; X _{TIN} = V _{DD} , X _{TOUT} = 0 V	1230	2630	4000	

Table 17-4. D.C. Electrical Characteristics (Concluded)

($T_A = -40\text{ }^\circ\text{C}$ to $+85\text{ }^\circ\text{C}$, $V_{DD} = 1.8\text{ V}$ to 5.5 V)

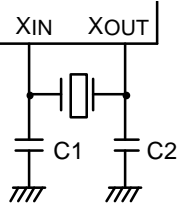
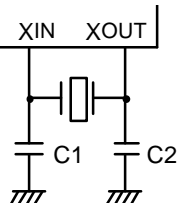
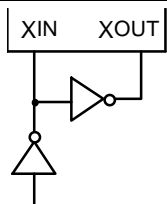
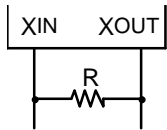
Parameter	Symbol	Conditions	Min	Typ	Max	Units	
Supply Current ⁽¹⁾	I_{DD1}	Main operating: FC enable PCON = 0011B, SCMOD = 0000B Crystal oscillator C1 = C2 = 22 pF $V_{DD} = 5\text{ V} \pm 10\%$	4.19 MHz	–	5.2	10	mA
		I_{DD2} ⁽²⁾	Main operating: PCON = 0011B, SCMOD = 0000B Crystal oscillator C1 = C2 = 22 pF $V_{DD} = 5\text{ V} \pm 10\%$	6.0 MHz	–	3.5	
	4.19 MHz			2.5		5.5	
	$V_{DD} = 3\text{ V} \pm 10\%$		6.0 MHz	1.6	4		
			4.19 MHz	1.2	3		
	I_{DD3} ⁽²⁾	Main idle mode ⁽³⁾ : PCON = 0111B, SCMOD = 0000B Crystal oscillator C1 = C2 = 22 pF $V_{DD} = 5\text{ V} \pm 10\%$	6.0 MHz	–	1.0	2.5	
			4.19 MHz		0.9	2.0	
		$V_{DD} = 3\text{ V} \pm 10\%$	6.0 MHz	0.5	1.0		
			4.19 MHz	0.4	0.8		
	I_{DD4} ⁽²⁾	Sub operating mode: PCON = 0011B, SCMOD = 1001B $V_{DD} = 3\text{ V} \pm 10\%$ 32 kHz crystal oscillator	–	15	30	μA	
I_{DD5} ⁽²⁾	Sub idle mode: PCON = 0111B, SCMOD = 1001B $V_{DD} = 3\text{ V} \pm 10\%$ 32 kHz crystal oscillator	–	6	15			
I_{DD6} ⁽²⁾	Stop mode: CPU = fxt/4, SCMOD = 1101B $V_{DD} = 5\text{ V} \pm 10\%$	–	0.5	3			
I_{DD7} ⁽²⁾	Stop mode: CPU = fx/4, SCMOD = 0100B $V_{DD} = 5\text{ V} \pm 10\%$	–					

NOTES:

- Supply current does not include current drawn through internal pull-up resistors and LCD voltage dividing resistors.
- AMF or FMF is a normal input mode.
- Data includes the power consumption for sub-system clock oscillation.

Table 17-5. Main System Clock Oscillator Characteristics

(T_A = -40 °C + 85 °C, V_{DD} = 1.8 V to 5.5 V)

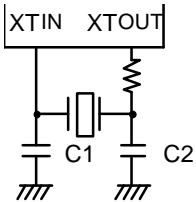
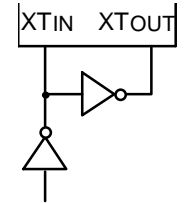
Oscillator	Clock Configuration	Parameter	Test Condition	Min	Typ	Max	Units
Ceramic Oscillator		Oscillation frequency (1)	–	0.4	–	6.0	MHz
		Stabilization time (2)	Stabilization occurs when V _{DD} is equal to the minimum oscillator voltage range.	–	–	4	ms
Crystal Oscillator		Oscillation frequency (1)	–	0.4	–	6.0	MHz
		Stabilization time (2)	V _{DD} = 2.7 V to 5.5 V	–	–	10	ms
			V _{DD} = 1.8 V to 2.7 V	–	–	30	
External Clock		X _{IN} input frequency (1)	–	0.4	–	6.0	MHz
		X _{IN} input high and low level width (t _{XH} , t _{XL})	–	83.3	–	–	ns
RC Oscillator		Frequency (1)	V _{DD} = 5 V R = 15 KΩ, V _{DD} = 5 V R = 25 KΩ, V _{DD} = 3 V	0.4	– 2.0 1.0	2.5	MHz

NOTES:

- Oscillation frequency and X_{IN} input frequency data are for oscillator characteristics only.
- Stabilization time is the interval required for oscillator stabilization after a power-on occurs, or when stop mode is terminated.

Table 17-6. Subsystem Clock Oscillator Characteristics

(T_A = -40 °C + 85 °C, V_{DD} = 1.8 V to 5.5 V)

Oscillator	Clock Configuration	Parameter	Test Condition	Min	Typ	Max	Units
Crystal Oscillator		Oscillation frequency (1)	–	32	32.768	35	kHz
		Stabilization time (2)	V _{DD} = 2.7 V to 5.5 V	–	1.0	2	s
			V _{DD} = 1.8 V to 2.7 V	–	–	10	
External Clock		XT _{IN} input frequency (1)	–	32	–	100	kHz
		XT _{IN} input high and low level width (t _{X_{TL}} , t _{X_{TH}})	–	5	–	15	μs

NOTES:

- Oscillation frequency and XT_{IN} input frequency data are for oscillator characteristics only.
- Stabilization time is the interval required for oscillator stabilization after a power-on occurs.

Table 17-7. Input/Output Capacitance

 $(T_A = 25\text{ }^\circ\text{C}, V_{DD} = 0\text{ V})$

Parameter	Symbol	Condition	Min	Typ	Max	Units
Input capacitance	C_{IN}	$f_{CLK} = 1\text{ MHz}$; Unmeasured pins are returned to V_{SS}	–	–	15	pF
Output capacitance	C_{OUT}		–	–	15	pF
I/O capacitance	C_{IO}		–	–	15	pF

Table 17-8. A.C. Electrical Characteristics

 $(T_A = -40\text{ }^\circ\text{C to } +85\text{ }^\circ\text{C}, V_{DD} = 1.8\text{ V to } 5.5\text{ V})$

Parameter	Symbol	Conditions	Min	Typ	Max	Units
Instruction cycle time (1)	t_{CY}	$V_{DD} = 2.7\text{ V to } 5.5\text{ V}$	0.67	–	64	μs
		$V_{DD} = 1.8\text{ V to } 5.5\text{ V}$	1.3		64	
Interrupt input high, low width	t_{INTH}, t_{INTL}	INT0	(2)	–	–	μs
		INT1, INT2, INT4, KS0–KS2	10			
RESET Input Low Width	t_{RSL}	Input	10	–	–	μs

NOTES:

- Unless otherwise specified, Instruction Cycle Time condition values assume a main system clock/4 (fx/4) source.
- Minimum value for INT0 is based on a clock of $2t_{CY}$ or $128/f_{xx}$ as assigned by the IMOD0 register setting.

Table 17-8. A.C. Electrical Characteristics (continued)

 $(T_A = -10\text{ }^\circ\text{C to } +70\text{ }^\circ\text{C}, V_{DD} = 3.5\text{ V to } 5.5\text{ V})$

Parameter	Symbol	Conditions	Min	Typ	Max	Units
A/D converting Resolution	–	–	8	8	8	bits
Absolute accuracy	–	–	–	–	± 2	LSB
AD conversion time	t_{CON}	–	17	$34/f_{xx}$ (note)	–	μs
Analog input voltage	V_{IAN}	–	V_{SS}	–	V_{DD}	V
Analog input impedance	R_{AN}	–	2	1000	–	$\text{M}\Omega$

NOTE: fxx stands for the system clock (fx or fxt).

Table 17-8. A.C. Electrical Characteristics (continued)

($T_A = -40\text{ }^\circ\text{C}$ to $+85\text{ }^\circ\text{C}$, $V_{DD} = 3.0\text{ V}$ to 5.5 V)

Parameter	Symbol	Conditions	Min	Typ	Max	Units
Input voltage (peak to peak)	V_{IN}	AMF/FMF mode, sine wave input	0.3	–	V_{DD}	V
Frequency	f_{AMF}	AMF mode, sine wave input; $V_{IN} = 300\text{mV}_{P-P}$	0.5	–	10	MHz
	f_{FMF}	FMF mode, sine wave input; $V_{IN} = 300\text{mV}_{P-P}$	30		150	

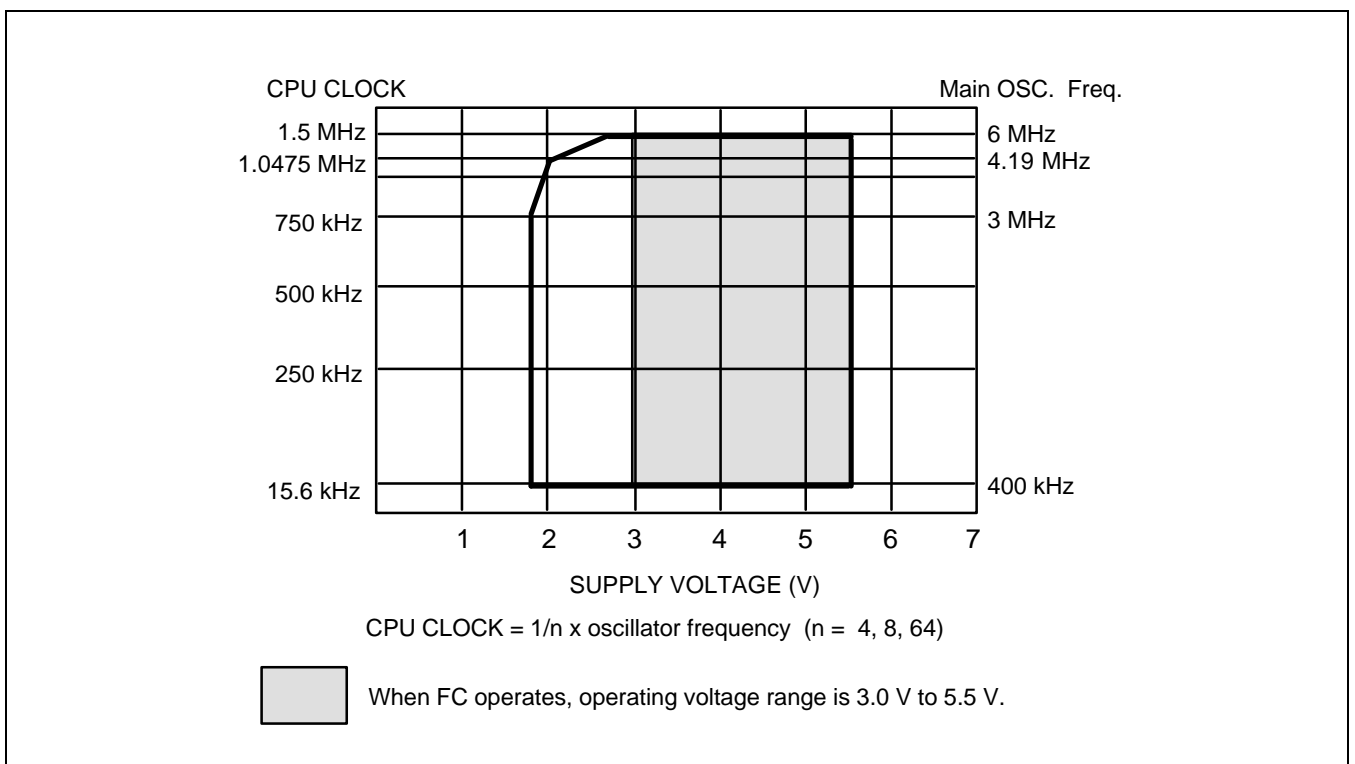


Figure 17-2. Standard Operating Voltage Range

Table 17-9. RAM Data Retention Supply Voltage in Stop Mode

($T_A = -40\text{ }^\circ\text{C}$ to $+85\text{ }^\circ\text{C}$)

Parameter	Symbol	Conditions	Min	Typ	Max	Unit
Data retention supply voltage	V_{DDDR}	Normal operation	1.8	–	5.5	V
Data retention supply current	I_{DDDR}	$V_{DDDR} = 1.8\text{ V}$	–	0.1	1	μA

TIMING WAVEFORMS

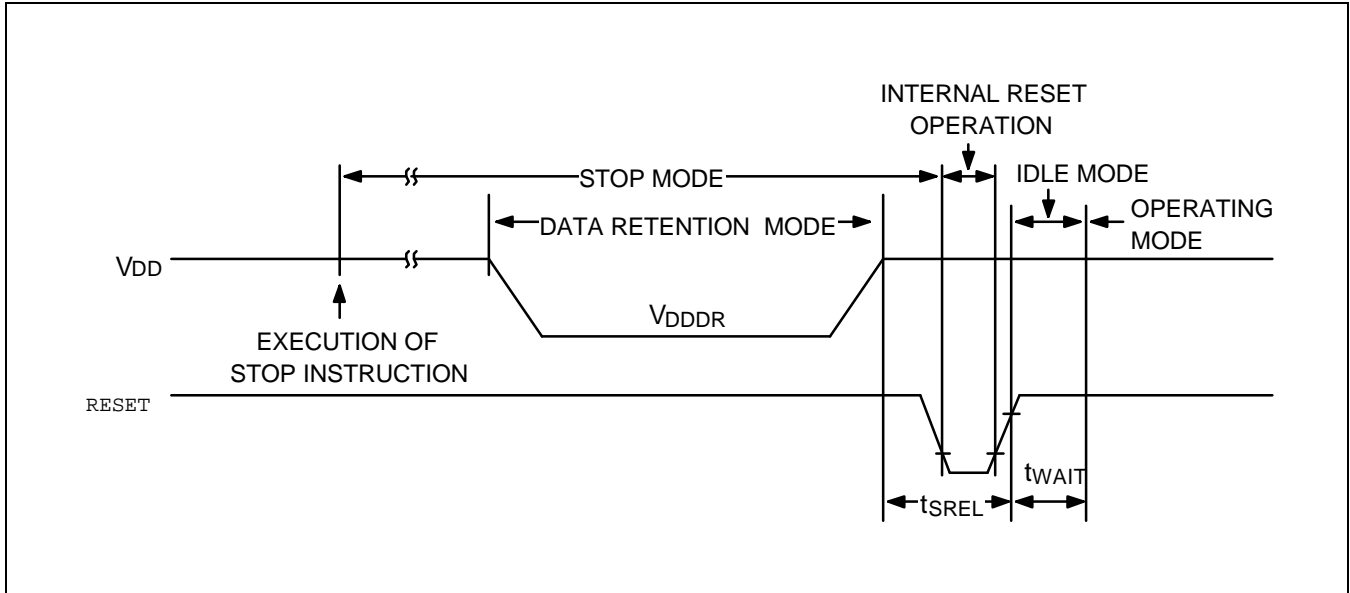


Figure 17-3. Stop Mode Release Timing When Initiated by RESET

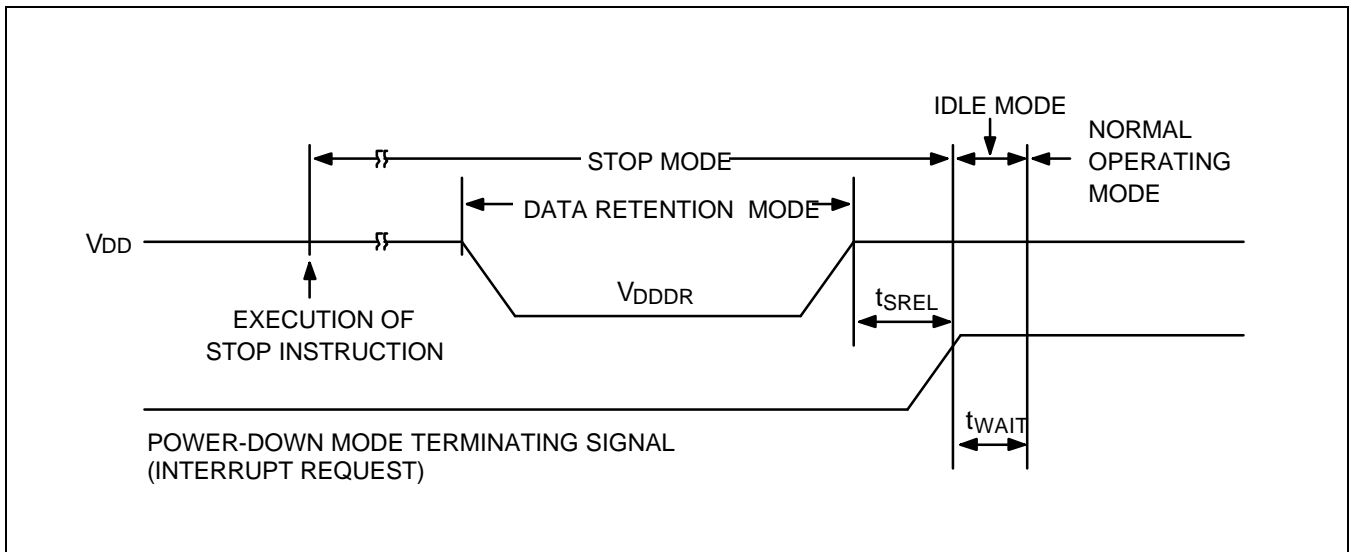


Figure 17-4. Stop Mode Release Timing When Initiated by an Interrupt Request

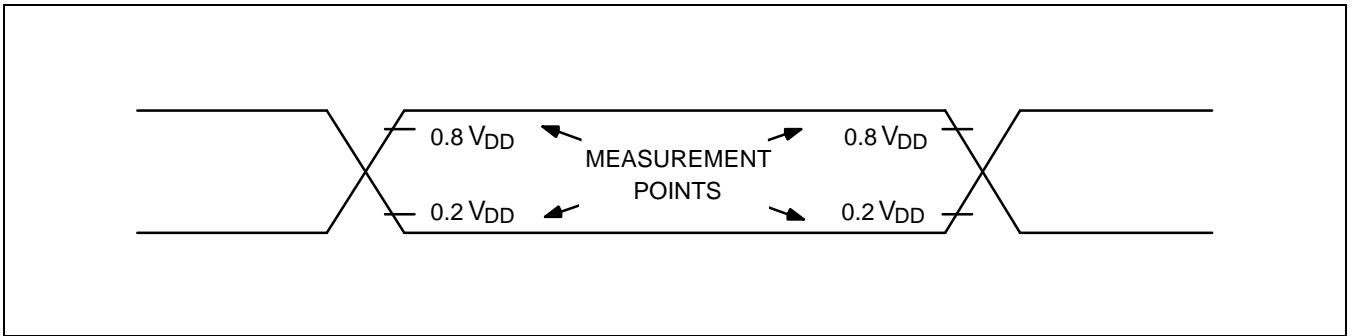


Figure 17-5. A.C. Timing Measurement Points (Except for X_{in} and XT_{in})

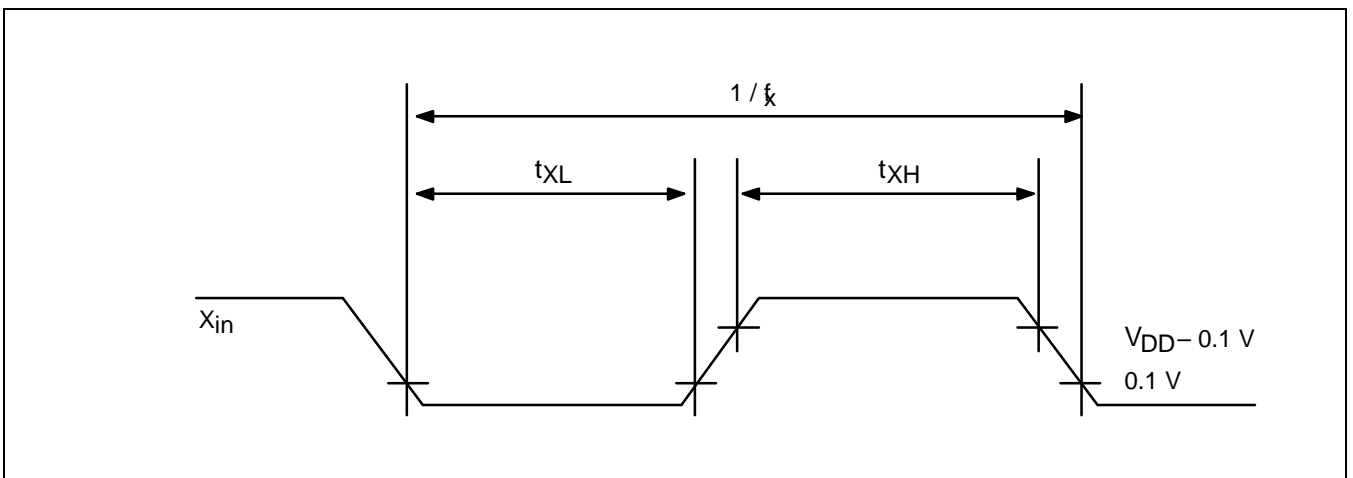


Figure 17-6. Clock Timing Measurement at X_{in}

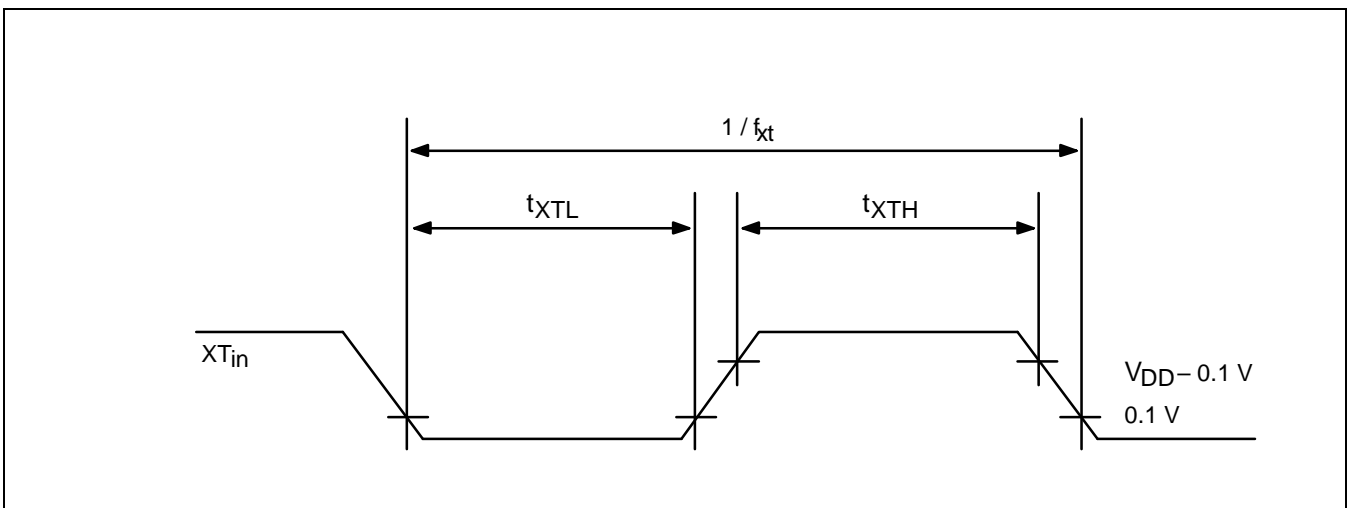


Figure 17-7. Clock Timing Measurement at XT_{in}

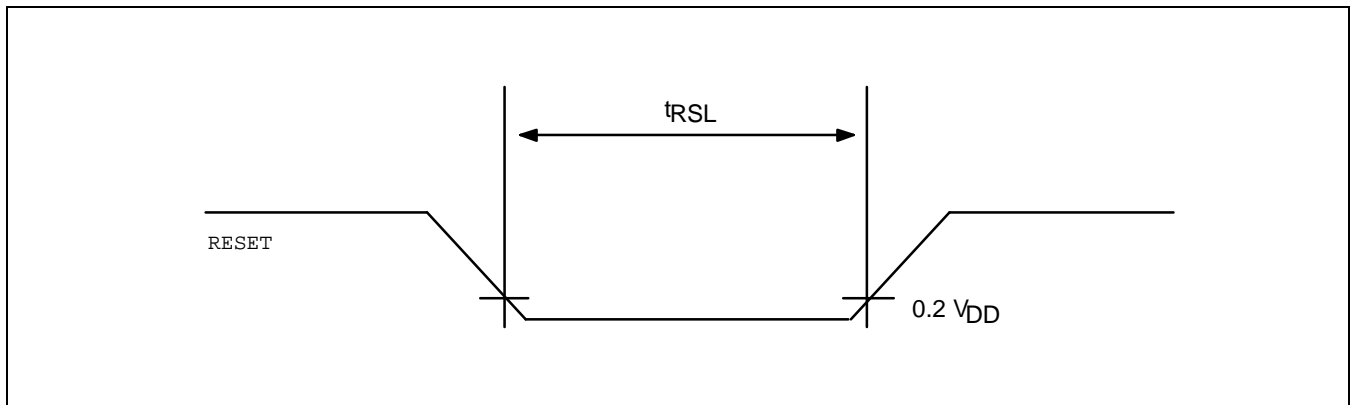


Figure 17-8. Input Timing for RESET Signal

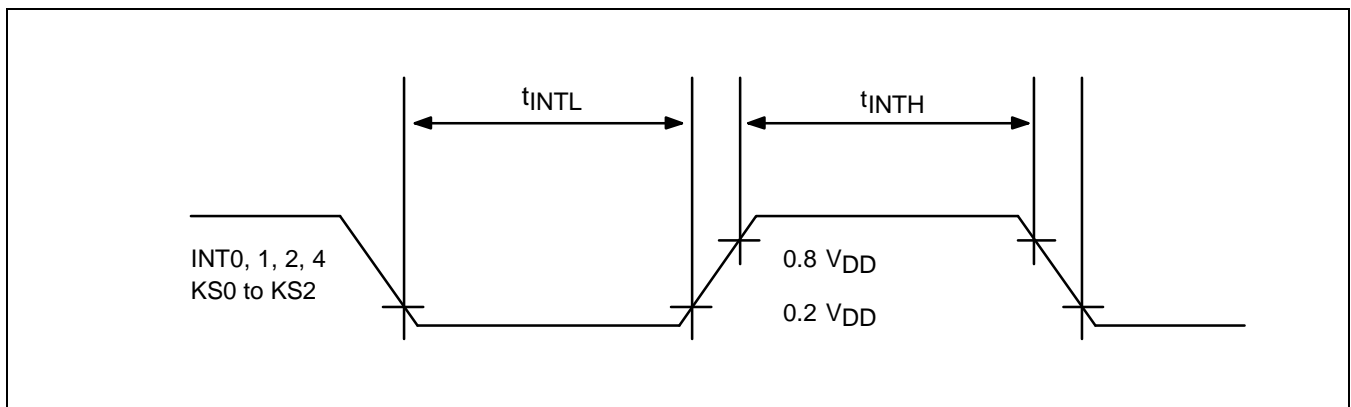


Figure 17-9. Input Timing for External Interrupts and Quasi-Interrupts