

1

PRODUCT OVERVIEW

SAM87RI PRODUCT FAMILY

Samsung's SAM87Ri family of 8-bit single-chip CMOS microcontrollers offers a fast and efficient CPU, a wide range of integrated peripherals, and various mask-programmable ROM sizes.

A address/data bus architecture and a large number of bit-configurable I/O ports provide a flexible programming environment for applications with varied memory and I/O requirements. Timer/counters with selectable operating modes are included to support real-time operations.

KS86C4302/C4304 MICROCONTROLLER

The KS86C4302/C4304 single-chip 8-bit microcontroller is fabricated using an advanced CMOS process. It is built around the powerful SAM87Ri CPU core. The KS86C4302/C4304 is a versatile microcontroller, with its A/D converter, timer, PWM, and SIO it can be used in a wide range of general purpose applications.

Stop and Idle power-down modes were implemented to reduce power consumption. To increase on-chip register space, the size of the internal register file was logically expanded. The KS86C4302/C4304 have 2-Kbytes or 4-Kbytes of program memory on-chip (ROM) and 112-bytes of general purpose register area RAM.

Using the SAM87Ri design approach, the following peripherals were integrated with the SAM87Ri core:

- Three configurable I/O ports (13 pins)
- Five interrupt sources with one vector and one interrupt level
- One 8-bit timer/counter with time interval mode
- Analog to digital converter with five input channels and 10-bit resolution
- One synchronous SIO module
- One 12-bit PWM output

The KS86C4302/C4304 microcontroller is ideal for use in a wide range of electronic applications requiring simple timer/counter, PWM, ADC, and SIO. KS86C4302/C4304 is available in a 20/18/16-pin DIP and a 20-pin SOP package.

OTP

The KS86P4304 is an OTP (One Time Programmable) version of the KS86C4302/C4304 microcontroller. The KS86P4304 has on-chip 4-Kbyte one-time-programmable EPROM instead of masked ROM. The KS86P4304 is fully compatible with the KS86C4302/C4304, in function, in D.C. electrical characteristics and in pin configuration.

FEATURES

CPU

- SAM87RI CPU core

Memory

- 2/4-Kbyte internal program memory (ROM)
- 112-byte general purpose register area (RAM)

Instruction Set

- 41 instructions
- The SAM87RI core provides all the SAM87 core instruction except the word-oriented instruction, multiplication, division, and some one-byte instruction.

Instruction Execution Time

- 600 ns at 10 MHz f_{OSC} (minimum cycles)
- 375 ns at 16 MHz f_{OSC} (minimum cycles)

Interrupts

- 5 interrupt sources with one vector and one level interrupt structure

General I/O

- Two I/O ports (Total 13 pins)
- One output only port (port 2)
- Bit programmable ports

Serial I/O

- One synchronious serial I/O module
- Selectable transmit and receive rates

Built-in reset Circuit (LVD)

- Low voltage detector for safe reset

Timer/Counters

- One 8-bit basic timer for watchdog function
- One 8-bit timer/counter for the time interval mode

PWM Module

- 12-bit PWM 1-ch (Max: 250 kHz)
- 6-bit base + 6-bit extension frame

A/D Converter

- Five analog input pins
- 10-bit conversion resolution

Buzzer Frequency Range

- 200 Hz to 20 kHz signal can be generated

Oscillation Frequency

- 1 MHz to 16 MHz external crystal oscillator
- Maximum 16 MHz CPU clock
- 4 MHz RC oscillator

Operating Temperature Range

- - 40°C to + 85°C

Operating Voltage Range

- 3.0 V to 5.5 V

OTP Interface Protocol Spec

- Serial OTP

Package Types

- 20-pin DIP-300
- 20-pin SOP-375
- 18-pin DIP-300
- 16-pin DIP-300

BLOCK DIAGRAM

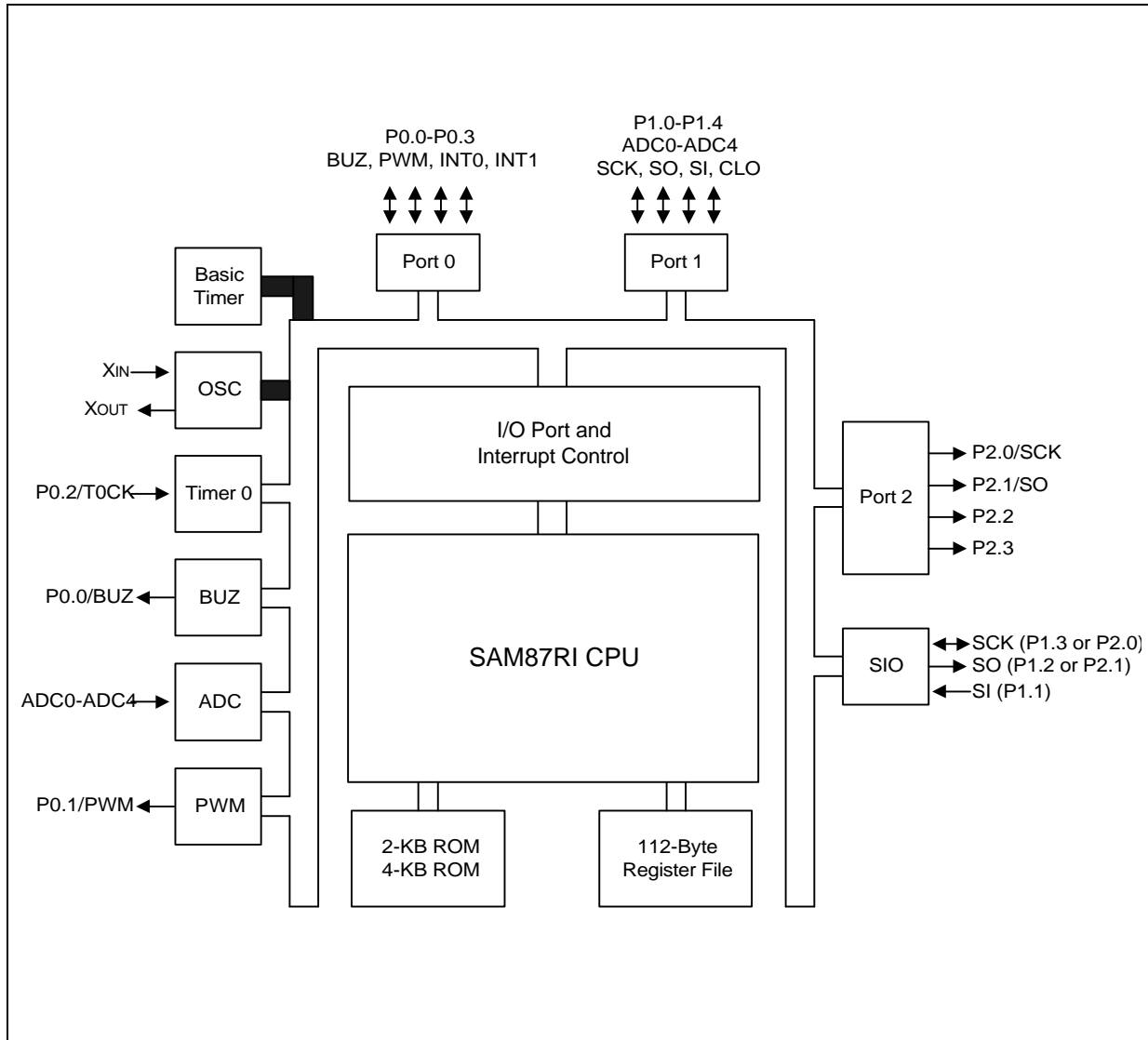


Figure 1-1. Block Diagram

PIN ASSIGNMENTS

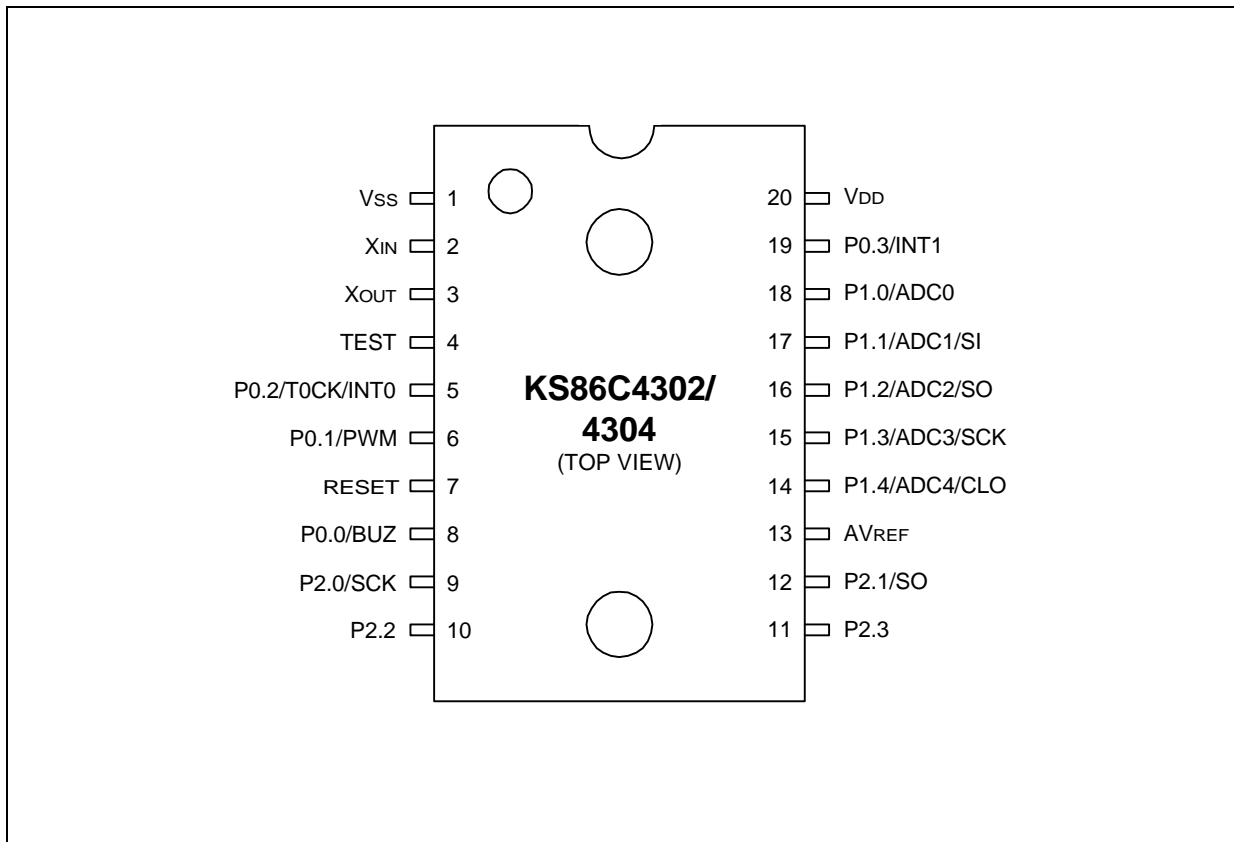


Figure 1-2. Pin Assignment Diagram (20-Pin DIP Package)

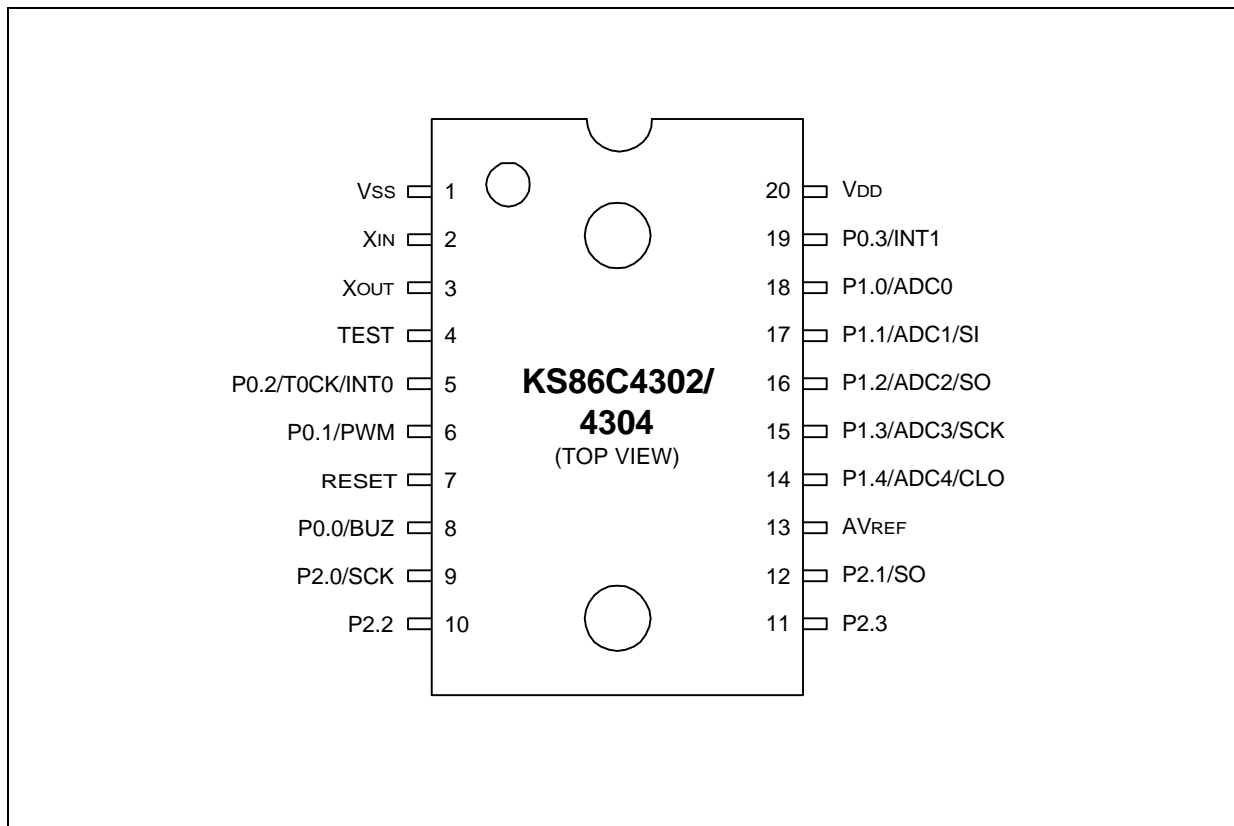


Figure 1-3. Pin Assignment Diagram (20-Pin SOP Package)

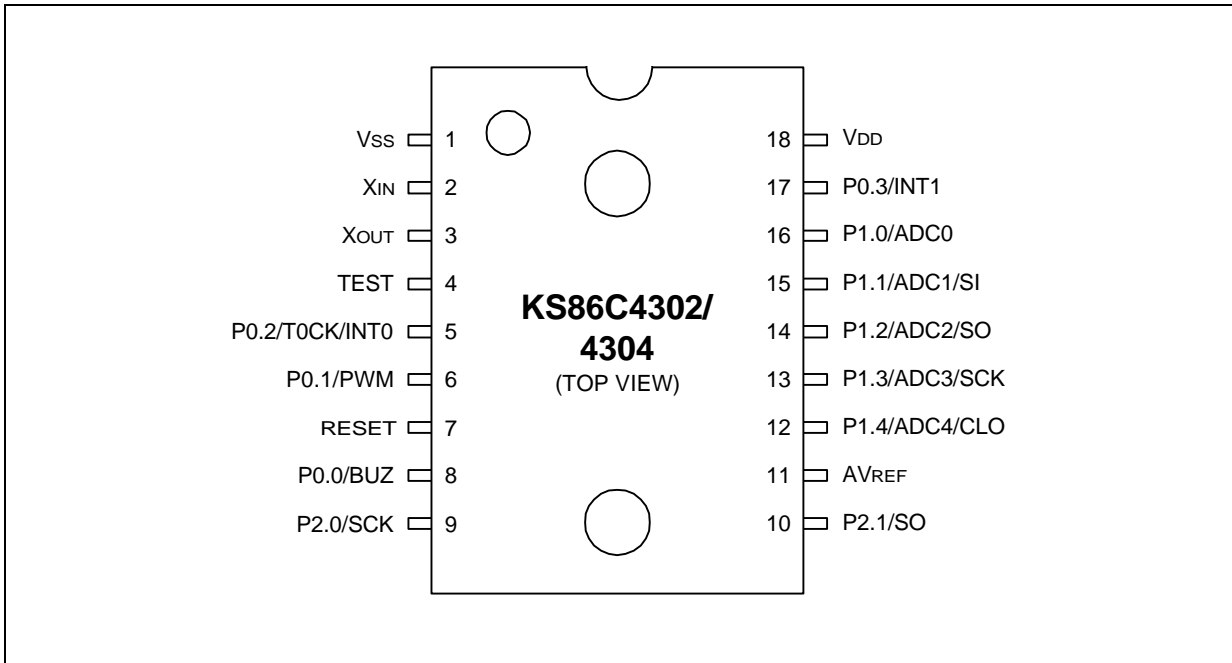


Figure 1-4. Pin Assignment Diagram (18-Pin DIP Package)

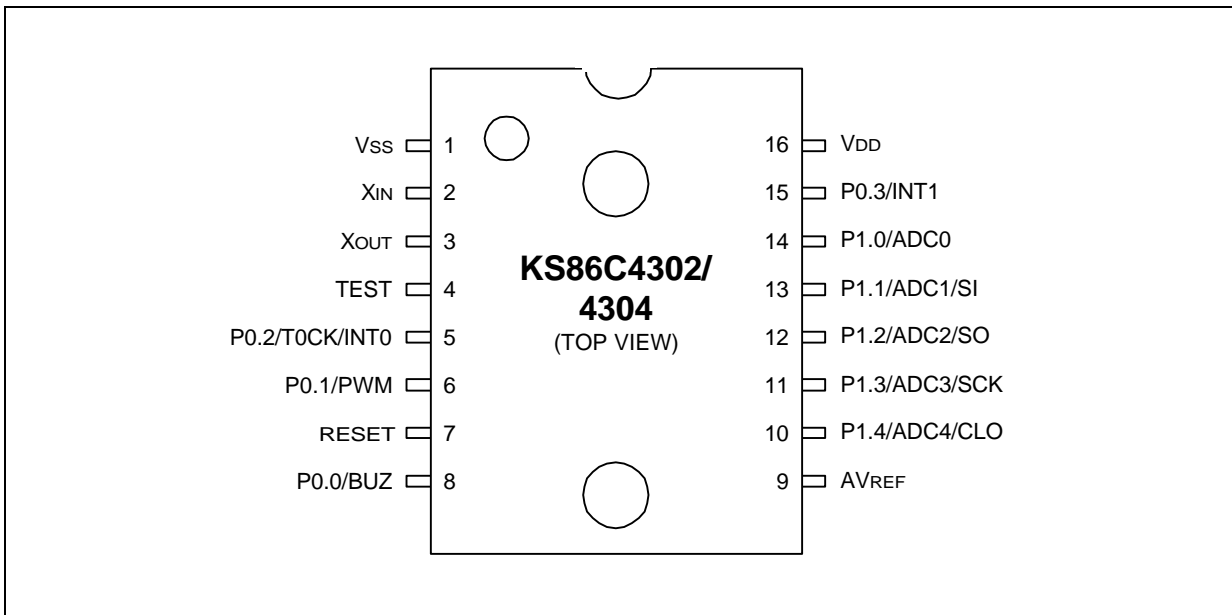


Figure 1-5. Pin Assignment Diagram (16-Pin DIP Package)

PIN DESCRIPTIONS

Table 1-1. KS86C4302/C4304 Pin Descriptions

Pin Names	Pin Type	Pin Description	Circuit Type	Share Pins
P0.0-P0.3	I/O	Bit-programmable I/O port for Schmitt trigger input or push-pull, open-drain output. Pull-up resistors are assignable by software. Port 0 pins can also be used as alternative function.	E	BUZ PWM INT0/T0CK INT1
P1.0-P1.4	I/O	Bit-programmable I/O port for Schmitt trigger input or push-pull, open-drain output. Pull-up resistors are assignable by software. Port 1 pins can also be used as alternative function.	E-1	ADC0-ADC4 SI SO SCK CLO
P2.0-P2.3	O	Push-pull or open-drain output port. Pull up resistors are assignable by software. Port 2.0-2.1 pins can also be used as alternative function.	E-2	SCK SO
X _{IN} , X _{OUT}	–	Crystal/ceramic, or RC oscillator signal for system clock.	–	–
RESET	I	System RESET signal input pin.	B	–
TEST	I	Test signal input pin (for factory use only: must be connected to V _{SS})	–	–
V _{DD} , V _{SS}	–	Voltage input pin and ground	–	–
AV _{REF}	–	A/D converter reference voltage input and ground	–	–
AV _{SS}		Bonded to V _{SS} internally		
SCK	I/O	Serial interface clock I/O	E-1 E-2	P1.3 or P2.0
SO	O	Serial data output	E-1 E-2	P1.2 or P2.1
SI	I	Serial data input	E-1	P1.1
CLO	O	System clock output port	E-1	P1.4
BUZ	O	200 Hz- 20 kHz frequency output for buzzer sound	E	P0.0
PWM	O	12-bit PWM output	E	P0.1
INT0-INT1	I	External interrupt input port	E	P0.2 P0.3
T0CK	I	Timer 0 external clock input	E	P0.2
ADC0-ADC4	I	A/D converter input	E-1	P1.0-P1.4

PIN CIRCUITS

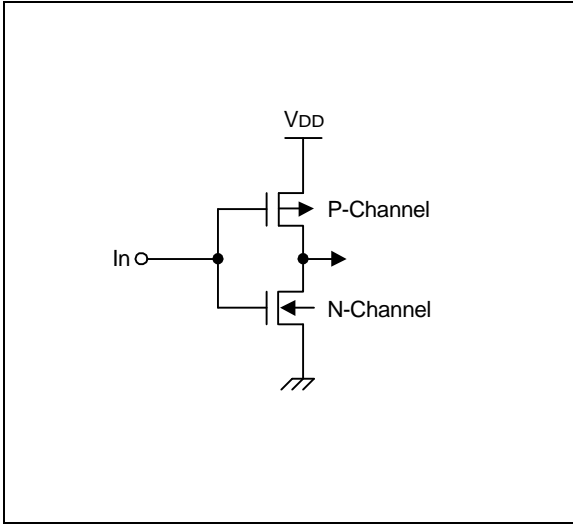


Figure 1-6. Pin Circuit Type A

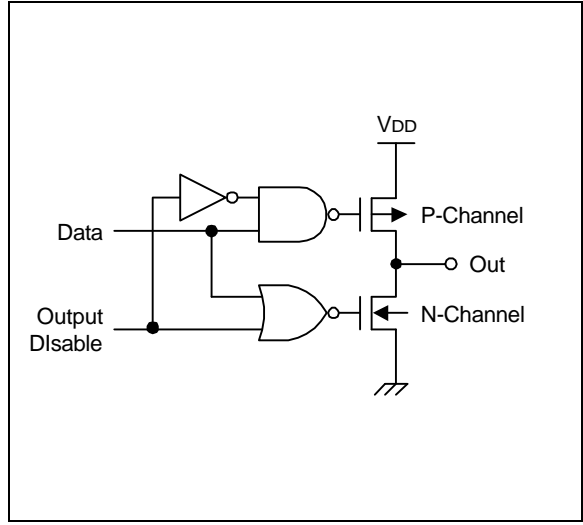


Figure 1-8. Pin Circuit Type C

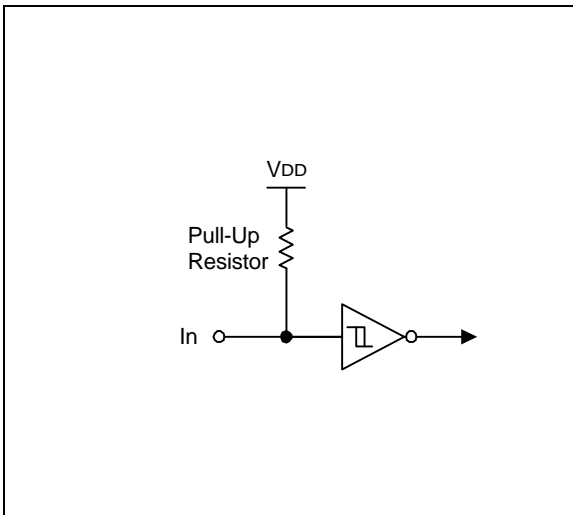


Figure 1-7. Pin Circuit Type B

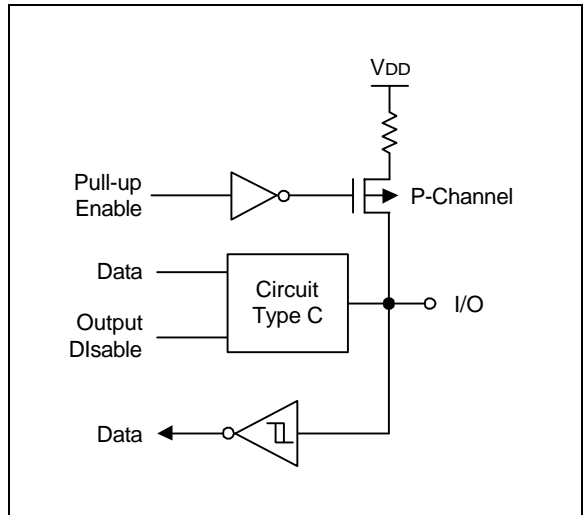


Figure 1-9. Pin Circuit Type D

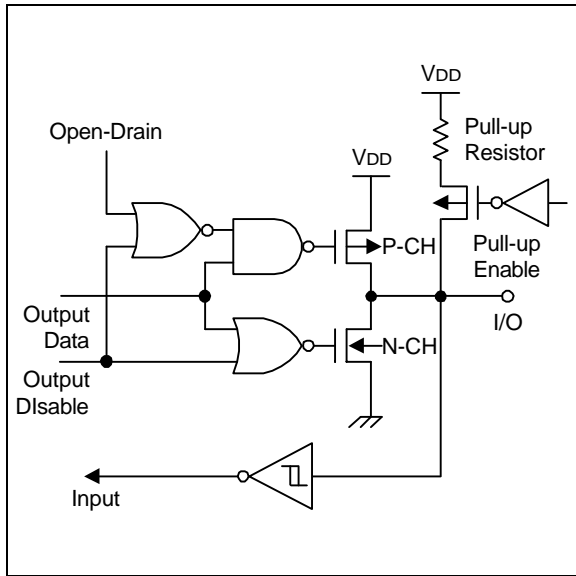


Figure 1-10. Pin Circuit Type E

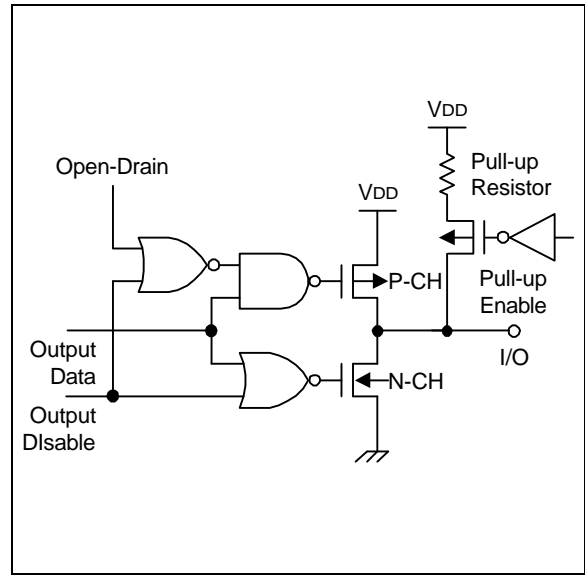


Figure 1-12. Pin Circuit Type E-2

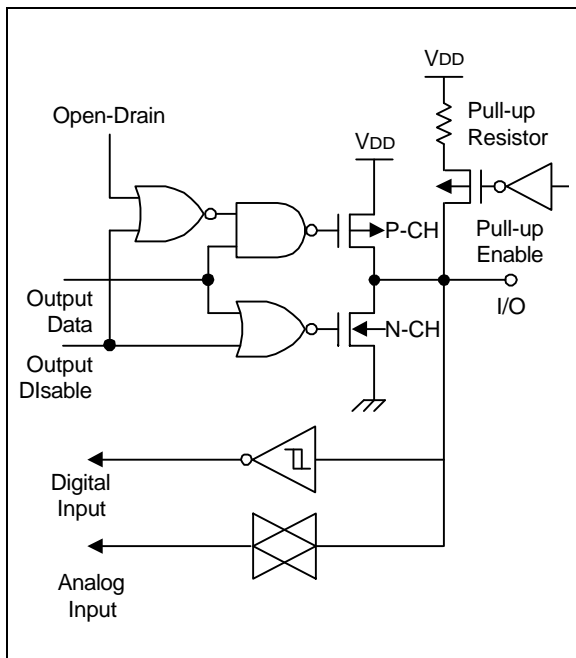


Figure 1-11. Pin Circuit Type E-1

NOTES

14 ELECTRICAL DATA

OVERVIEW

In this section, the following KS86C4302/C4304 electrical characteristics are presented in tables and graphs:

- Absolute maximum ratings
- D.C. electrical characteristics
- A.C. electrical characteristics
- Input Timing Measurement Points
- Oscillator characteristics
- Oscillation stabilization time
- Operating Voltage Range
- Schmitt trigger input characteristics
- Data retention supply voltage in Stop mode
- Stop mode release timing when initiated by a RESET
- A/D converter electrical characteristics
- LVD circuit characteristics
- LVD reset Timing
- Serial I/O timing characteristics
- Serial data transfer timing

Table 14-1. Absolute Maximum Ratings

(T_A = 25°C)

Parameter	Symbol	Conditions	Rating	Unit
Supply voltage	V _{DD}	–	- 0.3 to + 6.5	V
Input voltage	V _I	All input ports	- 0.3 to V _{DD} + 0.3	V
Output voltage	V _O	All output ports	- 0.3 to V _{DD} + 0.3	V
Output current high	I _{OH}	One I/O pin active	- 25	mA
		All I/O pins active	- 80	
Output current low	I _{OL}	One I/O pin active	+ 30	mA
		All I/O pins active	+ 150	
Operating temperature	T _A	–	- 40 to + 85	°C
Storage temperature	T _{STG}	–	- 65 to + 150	°C

Table 14-2. DC Electrical Characteristics

(T_A = -40°C to +85°C, V_{DD} = 3.0 V to 5.5 V)

Parameter	Symbol	Conditions		Min	Typ	Max	Unit
Input high voltage	V _{IH1}	Ports 0, 1, and RESET	V _{DD} = 3.0 to 5.5 V	0.8 V _{DD}	–	V _{DD}	V
	V _{IH2}	X _{IN} and X _{OUT}		V _{DD} - 0.1			
Input low voltage	V _{IL1}	Ports 0, 1, and RESET	V _{DD} = 3.0 to 5.5 V	–	–	0.2 V _{DD}	V
	V _{IL2}	X _{IN} and X _{OUT}				0.1	
Output high voltage	V _{OH}	I _{OH} = - 10 mA ports 0, 1, 2	V _{DD} = 4.5 to 5.5 V	V _{DD} - 1.5	V _{DD} - 0.4	–	V
Output low voltage	V _{OL}	I _{OL} = 25 mA port 0, 1, and 2	V _{DD} = 4.5 to 5.5 V	–	0.4	2.0	V

Table 14-2. DC Electrical Characteristics (Continued)

(T_A = -40°C to +85°C, V_{DD} = 3.0 V to 5.5 V)

Parameter	Symbol	Conditions		Min	Typ	Max	Unit	
Input high leakage current	I _{LIH1}	All inputs except I _{LIH2}	V _{IN} = V _{DD}	-	-	1	uA	
	I _{LIH2}	X _{IN} , X _{OUT}	V _{IN} = V _{DD}			20		
Input low leakage current	I _{LIL1}	All inputs except I _{LIL2} and RESET	V _{IN} = 0 V	-	-	-1	uA	
	I _{LIL2}	X _{IN} , X _{OUT}	V _{IN} = 0 V			-20		
Output high leakage current	I _{LOH}	All outputs	V _{OUT} = V _{DD}	-	-	2	uA	
Output low leakage current	I _{LOL}	All outputs	V _{OUT} = 0 V	-	-	-2	uA	
Pull-up resistors	R _P	V _{IN} = 0 V Ports 0-2	V _{DD} = 5 V	30	47	70	kΩ	
		RESET	V _{DD} = 5 V	100	200	350		
Supply current	I _{DD1}	Run mode 16 MHz CPU clock	V _{DD} = 5V ± 10%	-	11	20	mA	
		8 MHz CPU clock	V _{DD} = 3.3 V			3		6
	I _{DD2}	Idle mode 16 MHz CPU clock	V _{DD} = 5V ± 10%	-	5	8		
		8 MHz CPU clock	V _{DD} = 3.3 V			0.7		2.5
	I _{DD3}	Stop mode	V _{DD} = 5V ± 10%	-	65	100		uA
			V _{DD} = 3.3 V			45		

NOTE: D.C electrical values for supply current (I_{DD1} to I_{DD3}) do not include current drawn through internal pull-up resistors, output port drive current and ADC module.

Table 14-3. AC Electrical Characteristics

(T_A = -40°C to +85°C, V_{DD} = 3.0 V to 5.5 V)

Parameter	Symbol	Conditions	Min	Typ	Max	Unit
Interrupt input high, low width	t _{INTH} , t _{INTL}	INT0, INT1 V _{DD} = 5V ± 10%	–	200	–	ns
RESET input low width	t _{RSL}	Input V _{DD} = 5V ± 10%	–	1	–	us

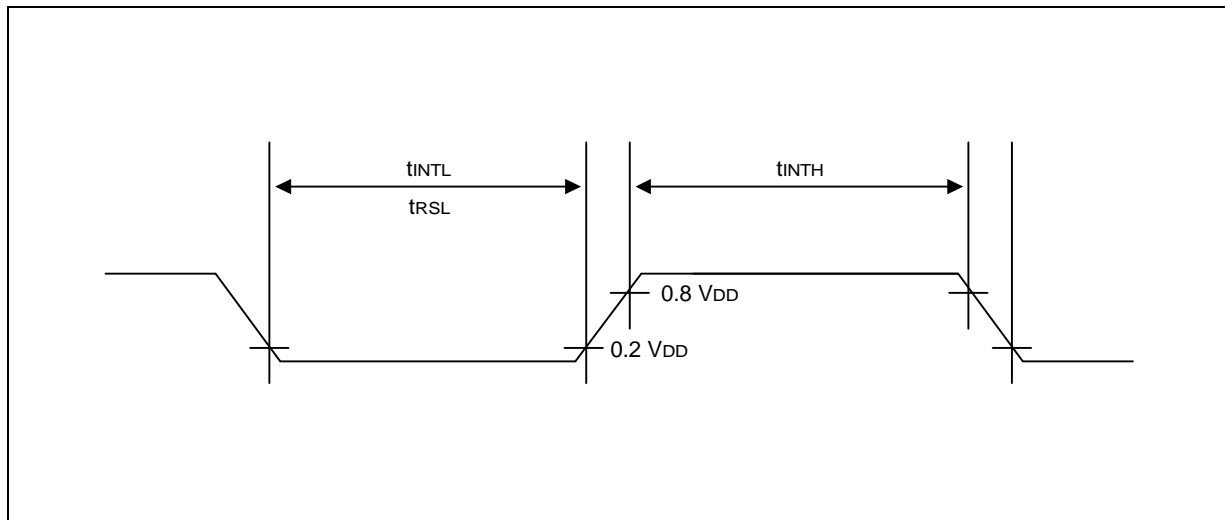


Figure 14-1. Input Timing Measurement Points

Table 14-4. Oscillator Characteristics

(T_A = -40°C to +85°C)

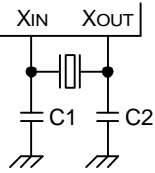
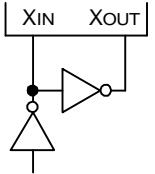
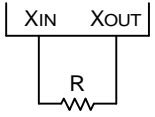
Oscillator	Clock Circuit	Test Condition	Min	Typ	Max	Unit
Main crystal or ceramic		V _{DD} = 4.5 to 5.5 V V _{DD} = 3.0 to 4.5 V	1 1	– –	16 8	MHz
External clock		V _{DD} = 4.5 to 5.5 V V _{DD} = 3.0 to 4.5 V	1 1	– –	16 8	
RC oscillator		V _{DD} = 5 V, R = 10 KΩ V _{DD} = 3 V, R = 22 KΩ	– –	4 2	– –	

Table 14-5. Oscillation Stabilization Time

(T_A = -40°C to +85°C, V_{DD} = 3.0 V to 5.5 V)

Oscillator	Test Condition	Min	Typ	Max	Unit
Main crystal	f _{OSC} > 1.0 MHz	–	–	20	ms
Main ceramic	Oscillation stabilization occurs when V _{DD} is equal to the minimum oscillator voltage range.	–	–	10	
External clock (main system)	X _{IN} input high and low width (t _{XH} , t _{XL})	25	–	500	ns
Oscillator stabilization wait time	t _{WAIT} when released by a reset ⁽¹⁾	–	2 ¹⁶ /f _{OSC}	–	ms
	t _{WAIT} when released by an interrupt ⁽²⁾	–	–	–	

NOTES:1. f_{OSC} is the oscillator frequency.2. The duration of the oscillator stabilization wait time, t_{WAIT}, when it is released by an interrupt is determined by the settings in the basic timer control register, BTCON.

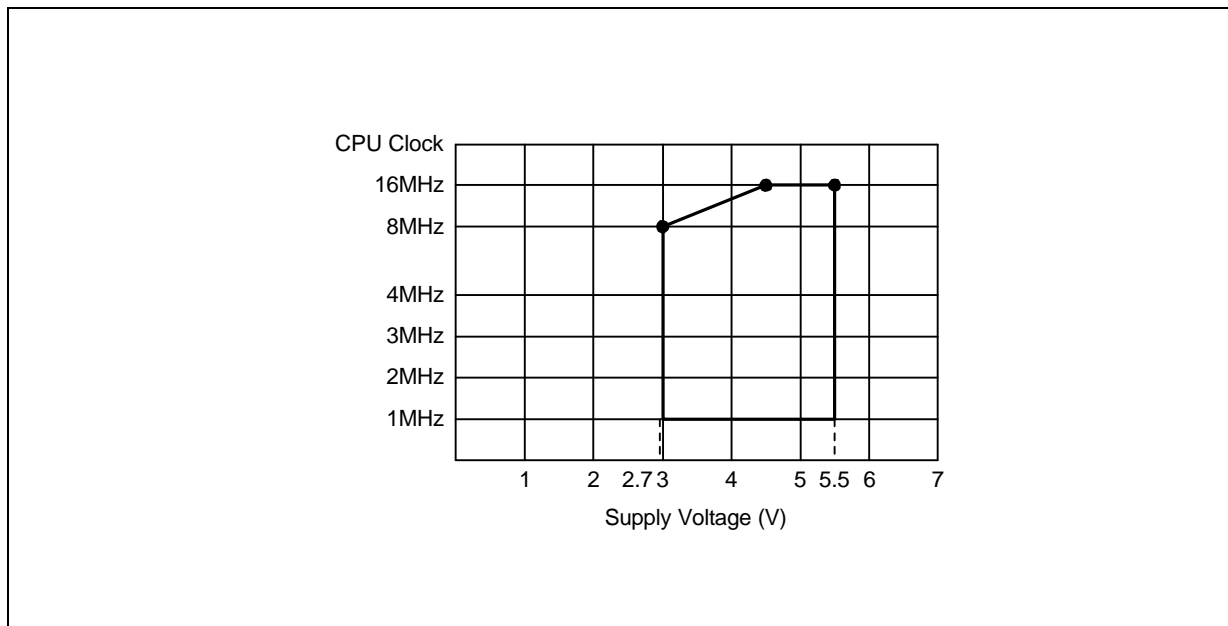


Figure 14-2. Operating Voltage Range

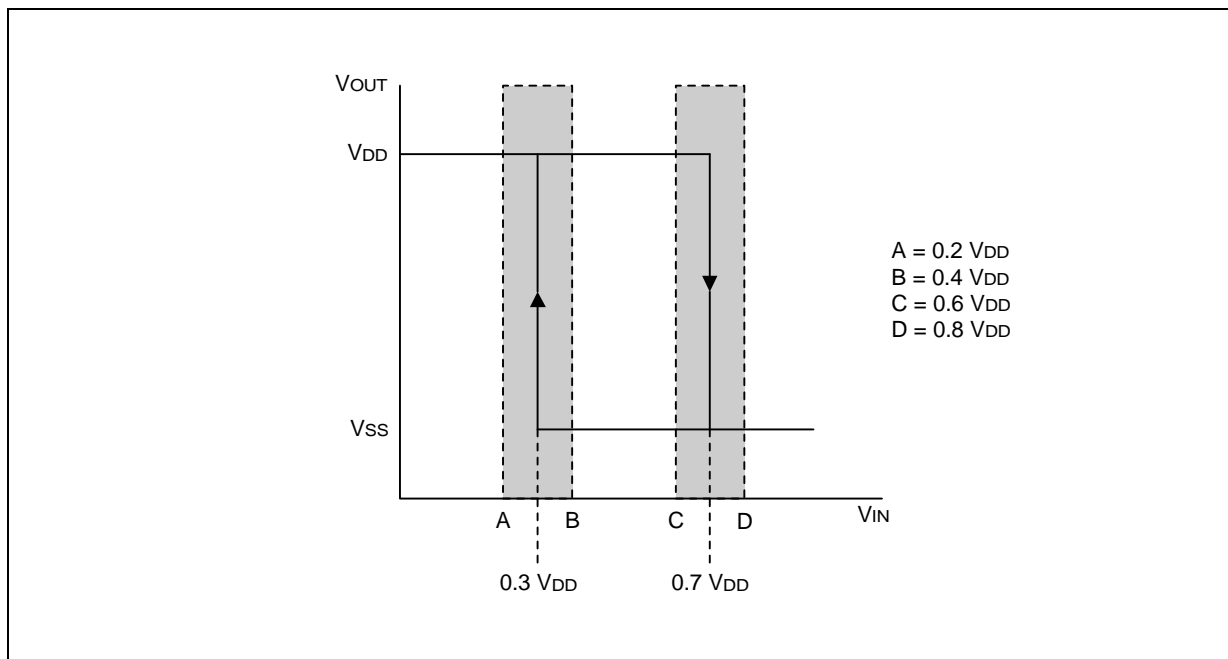


Figure 14-3. Schmitt Trigger Input Characteristics Diagram

Table 14-6. Data Retention Supply Voltage in Stop Mode

($T_A = -40^{\circ}\text{C}$ to $+85^{\circ}\text{C}$, $V_{DD} = 3.0\text{ V}$ to 5.5 V)

Parameter	Symbol	Conditions	Min	Typ	Max	Unit
Data retention supply voltage	V_{DDDR}	Stop mode	2.0	–	5.5	V
Data retention supply current	I_{DDDR}	Stop mode; $V_{DDDR} = 2.0\text{ V}$	–	0.1	5	μA

NOTE: Supply current does not include current drawn through internal pull-up resistors or external output current loads.

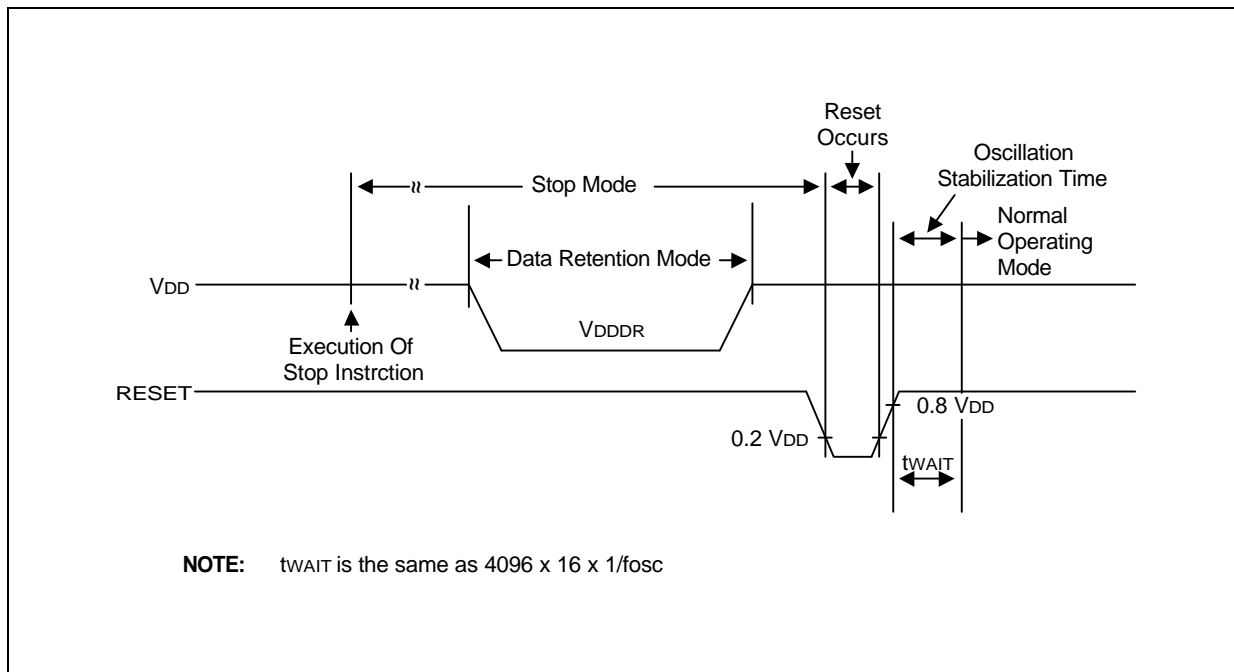


Figure 14-4. Stop Mode Release Timing When Initiated by a RESET

Table 14-7. A/D Converter Electrical Characteristics

(T_A = -40°C to +85°C, V_{DD} = 3.0 V to 5.5 V, V_{SS} = 0 V)

Parameter	Symbol	Test Conditions	Min	Typ	Max	Unit
Total accuracy	–	V _{DD} = 5.12 V CPU clock = 10 MHz AV _{REF} = 5.12 V AV _{SS} = 0 V	–	–	± 3	LSB
Integral linearity error	ILE	–	–	–	± 2	
Differential linearity error	DLE	–	–	–	± 1	
Offset error of top	EOT	–	–	± 1	± 3	
Offset error of bottom	EOB	–	–	± 1	± 2	
Conversion time (1)	t _{CON}	f _{OSC} = 10 MHz	–	50x4/ f _{OSC}	–	μs
Analog input voltage	V _{IAN}	–	AV _{SS}	–	AV _{REF}	V
Analog input impedance	R _{AN}	–	2	–	–	MΩ
ADC reference voltage	AV _{REF}	–	3.0	–	V _{DD}	V
ADC reference ground	AV _{SS}	–	V _{SS}	–	V _{SS} + 0.3	V
Analog input current	I _{ADIN}	AV _{REF} = V _{DD} = 5 V	–	–	10	μA
Analog block current (2)	I _{ADC}	AV _{REF} = V _{DD} = 5 V conversion time = 20 μs		1	3	mA
		AV _{REF} = V _{DD} = 3 V conversion time = 20 μs		0.5	1.5	mA
		AV _{REF} = V _{DD} = 5 V when power down mode		100	500	nA

NOTES:

1. "Conversion time" is the time required from the moment a conversion operation starts until it ends.
2. I_{ADC} is operating current during A/D conversion.

Table 14-8. LVD Circuit Characteristics

($T_A = -40^{\circ}\text{C}$ to $+85^{\circ}\text{C}$, $V_{DD} = 3.0\text{ V}$ to 5.5V)

Parameter	Symbol	Conditions	Min	Typ	Max	Unit
Power-on reset voltage high	V_{DDH}		3.0		5.5	V
Power-on reset voltage low	V_{DDL}		0	2.6	3.0	V
Power supply voltage rise time	t_r		10		(note)	us
Power supply voltage off time	t_{off}		0.5			sec
Power-on reset circuit consumption current	I_{DDPR}	$V_{DD} = 5\text{ V} \pm 10\%$		65	100	uA
		$V_{DD} = 3\text{ V}$		45	80	uA

NOTE: Oscillation stabilization time = $2^{16}/f_x$ (= 6.55 ms at $f_x = 10\text{ MHz}$)

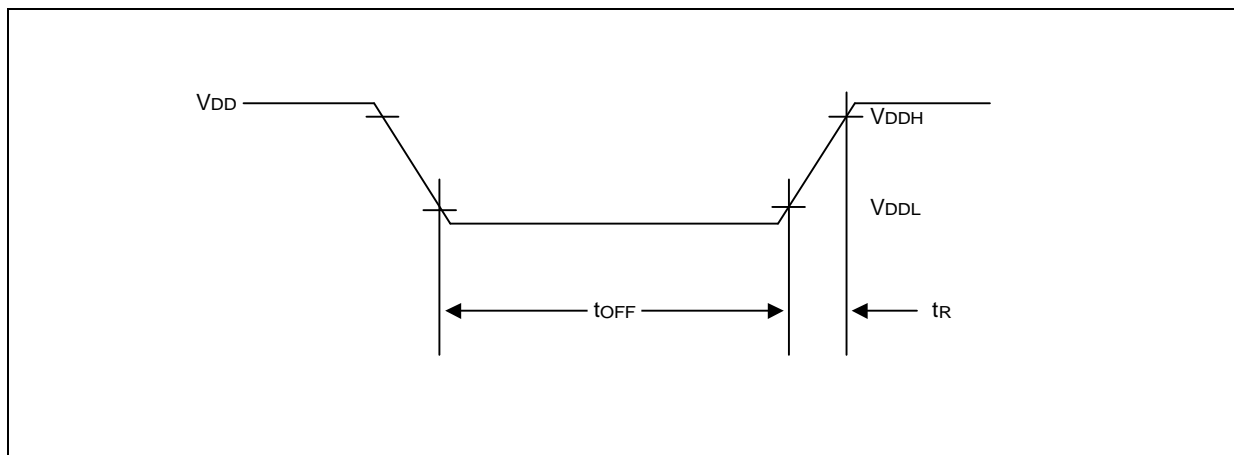


Figure 14-5. LVD Reset Timing

Table 14-9. Serial I/O Timing Characteristics

($T_A = -40^{\circ}\text{C}$ to $+85^{\circ}\text{C}$, $V_{DD} = 3.0\text{ V}$ to 5.5 V)

Parameter	Symbol	Conditions	Min	Typ	Max	Unit
SCK Cycle Time	t_{CKY}	External SCK source	1000	-	-	ns
		Internal SCK source	1000			
SCK High, Low Width	t_{KH}, t_{KL}	External SCK source	500	-	-	
		Internal SCK source	$t_{CKY}/2 - 50$			
SI Setup Time to SCK Low	t_{SIK}	External SCK source	250	-	-	
		Internal SCK source	250			
SI Hold Time to SCK High	t_{KSI}	External SCK source	400	-	-	
		Internal SCK source	400			
Output Delay for SCK to SO	t_{KSO}	External SCK source	-	-	300	
		Internal SCK source	-		250	

NOTE: "SCK" means serial I/O clock frequency, "SI" means serial data input, and "SO" means serial data output.

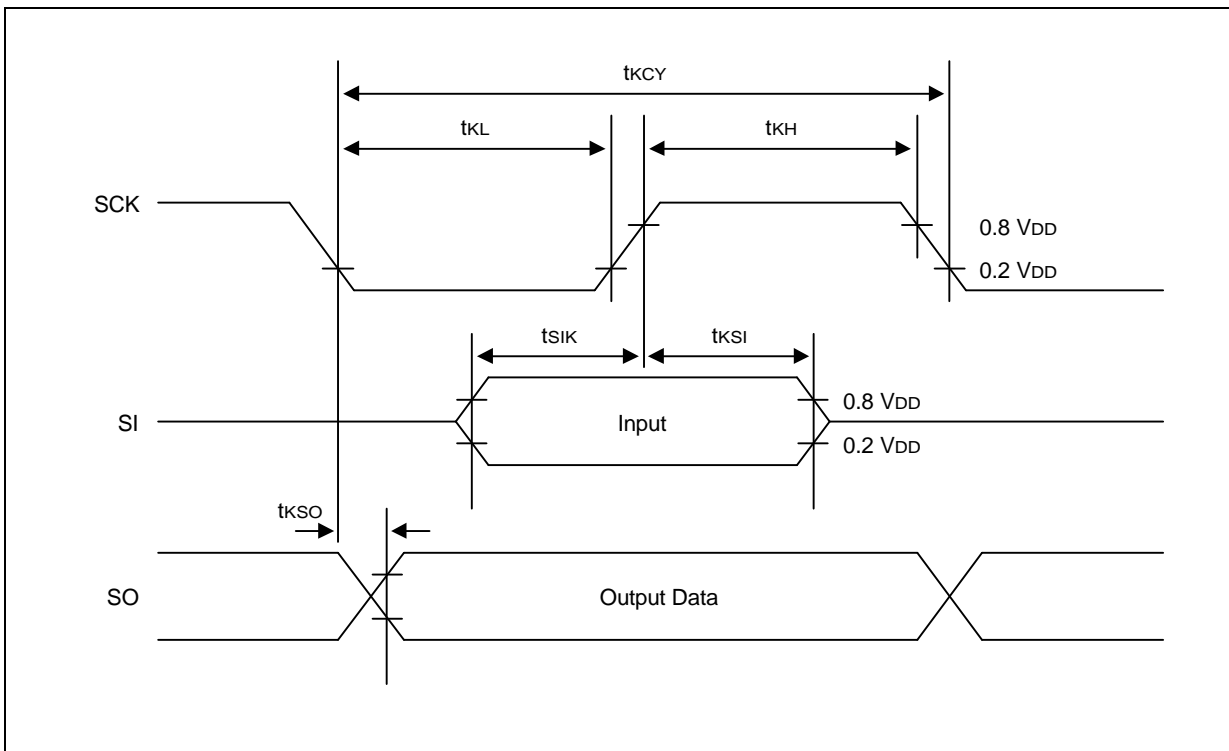


Figure 14-6. Serial Data Transfer Timing

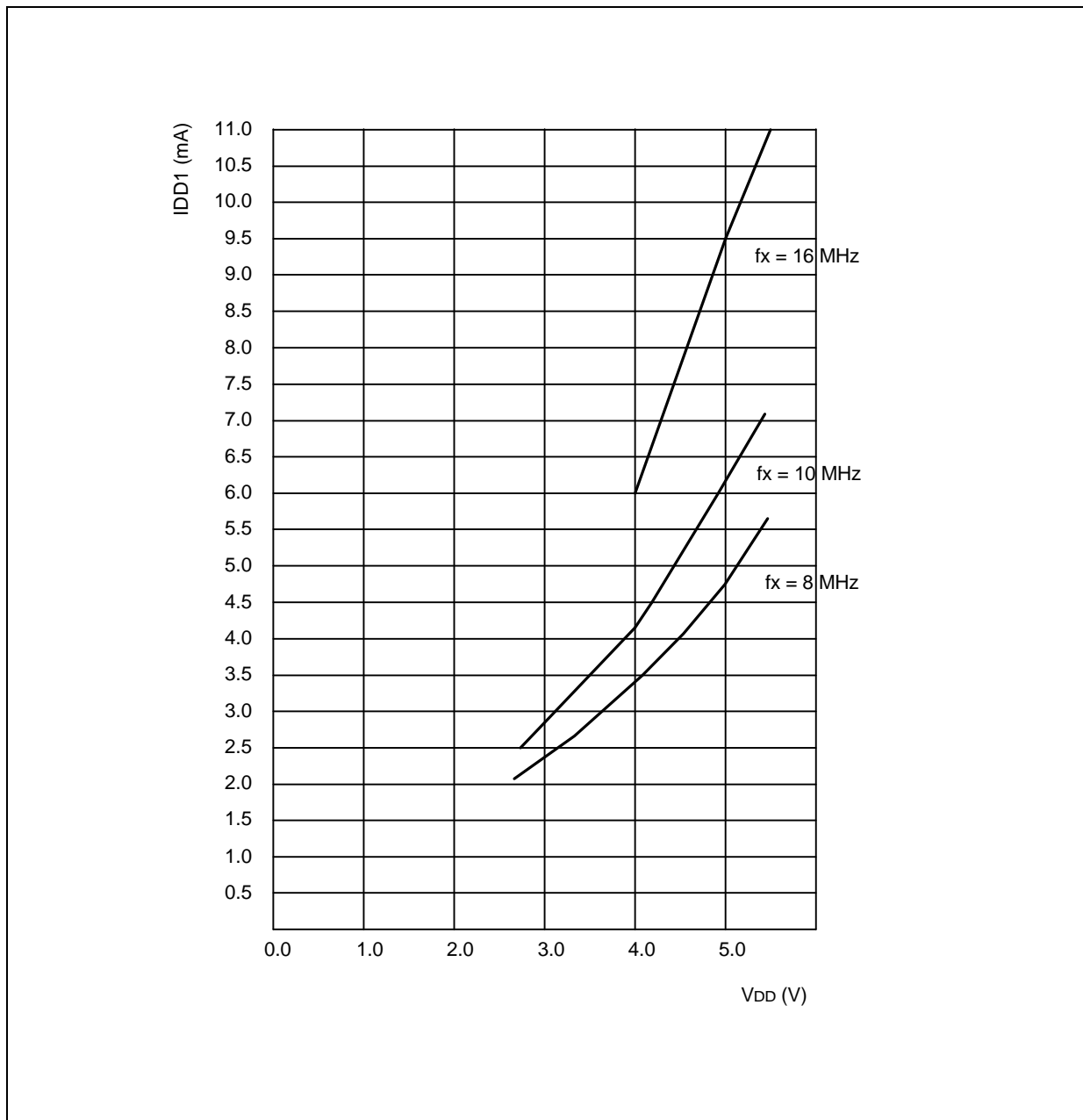


Figure 14-7. I_{DD1} vs V_{DD}

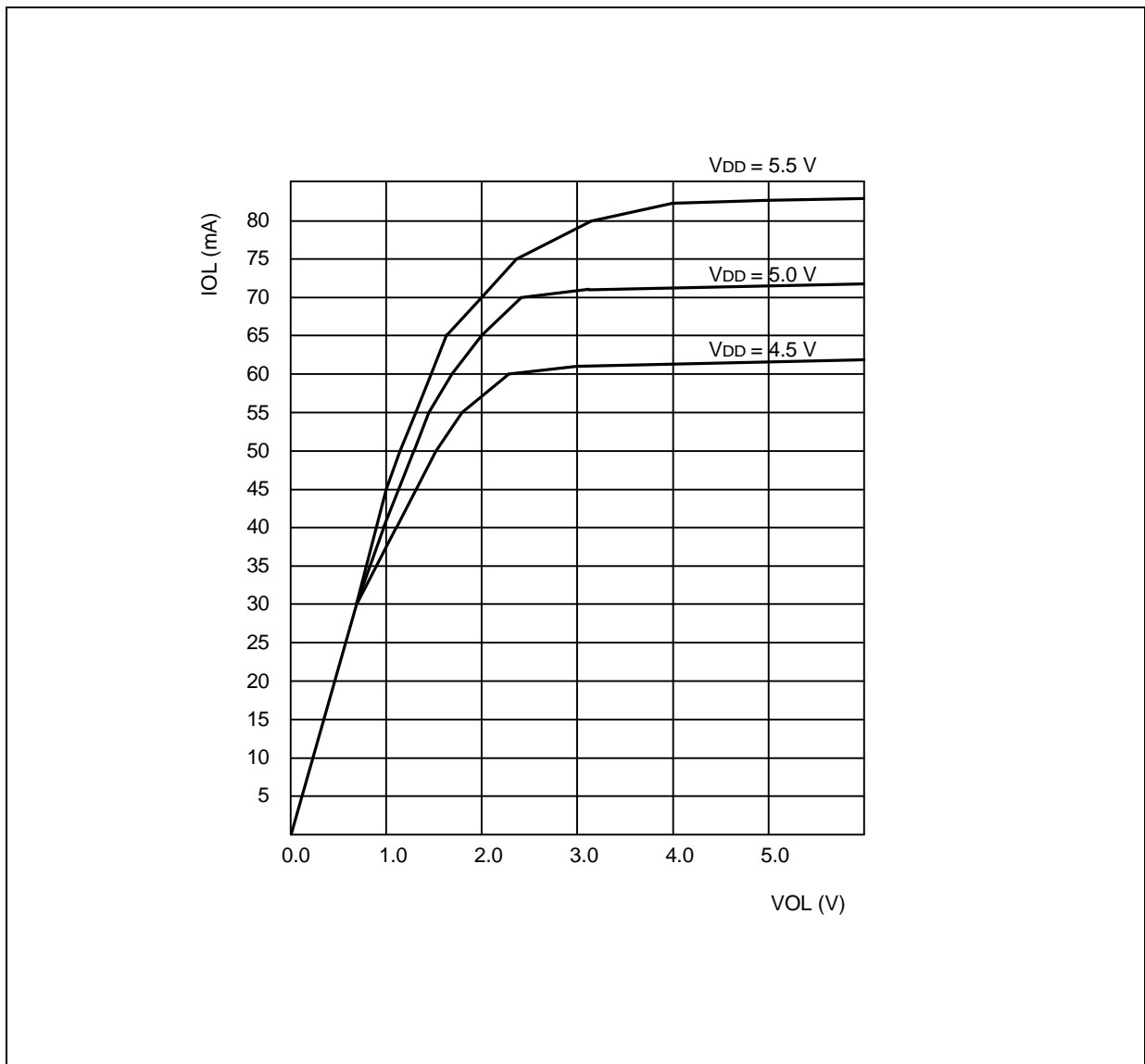


Figure 14-8. I_{OL} vs V_{OL}

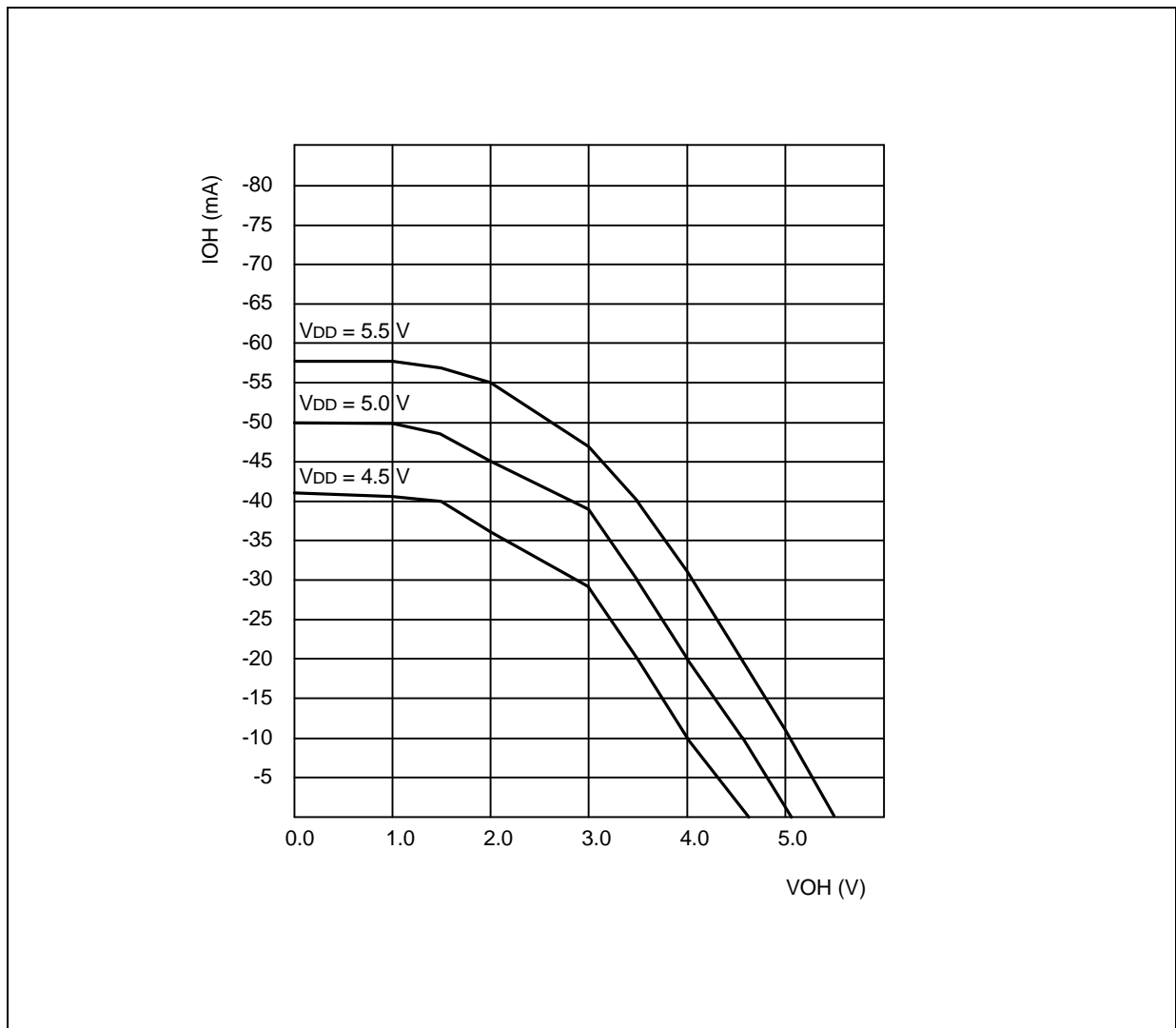


Figure 14-9. IOH vs VOH

NOTES

15 MECHANICAL DATA

OVERVIEW

The KS86C4302/C4304 is available in a 20-pin SDIP package (Samsung: 20-DIP-300A), a 20-pin SOP package (Samsung: 20-SOP-375), a 18-pin DIP package (Samsung: 18-DIP-300A). Package dimensions are shown in Figure 15-1, 15-2, and 15-3.

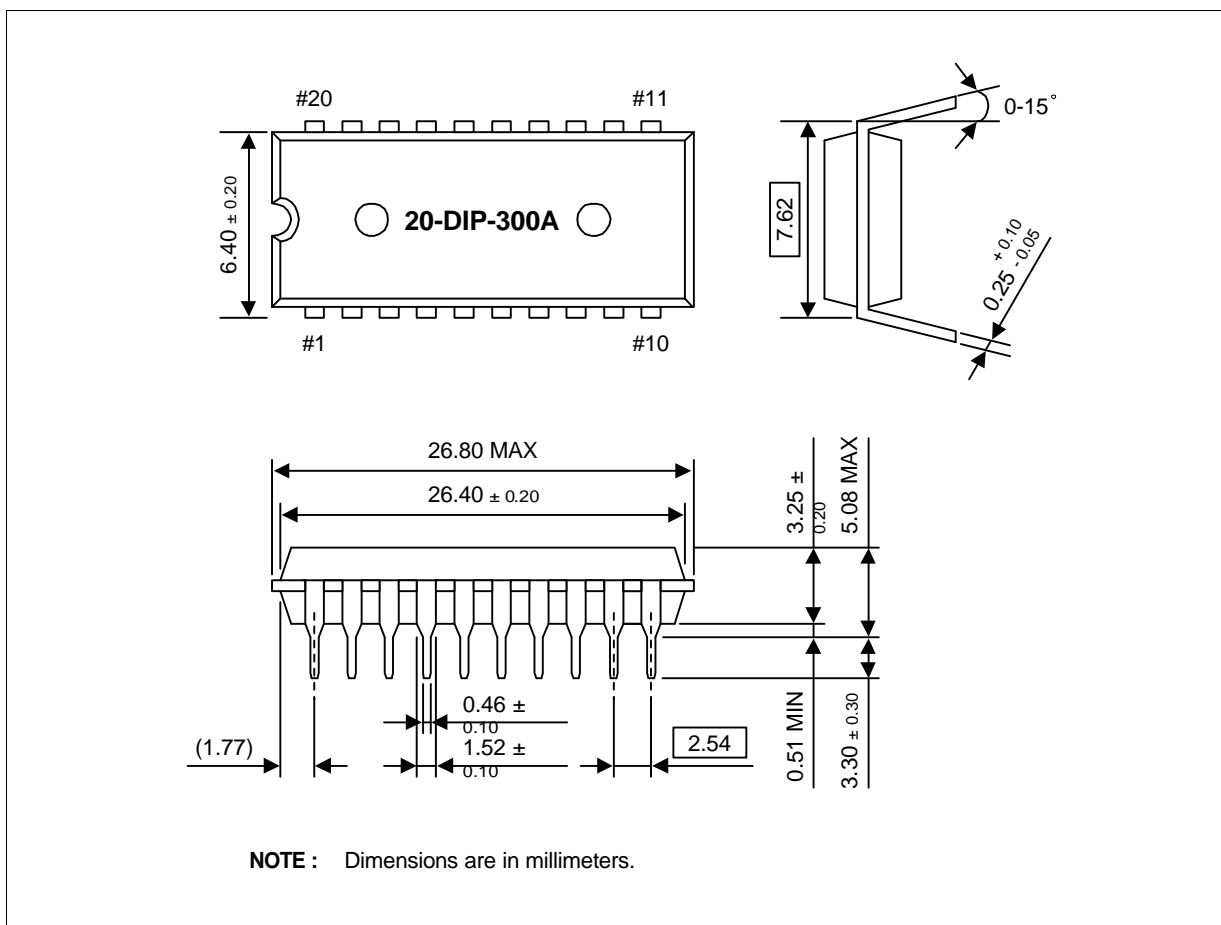


Figure 15-1. 20-DIP-300A Package Dimensions

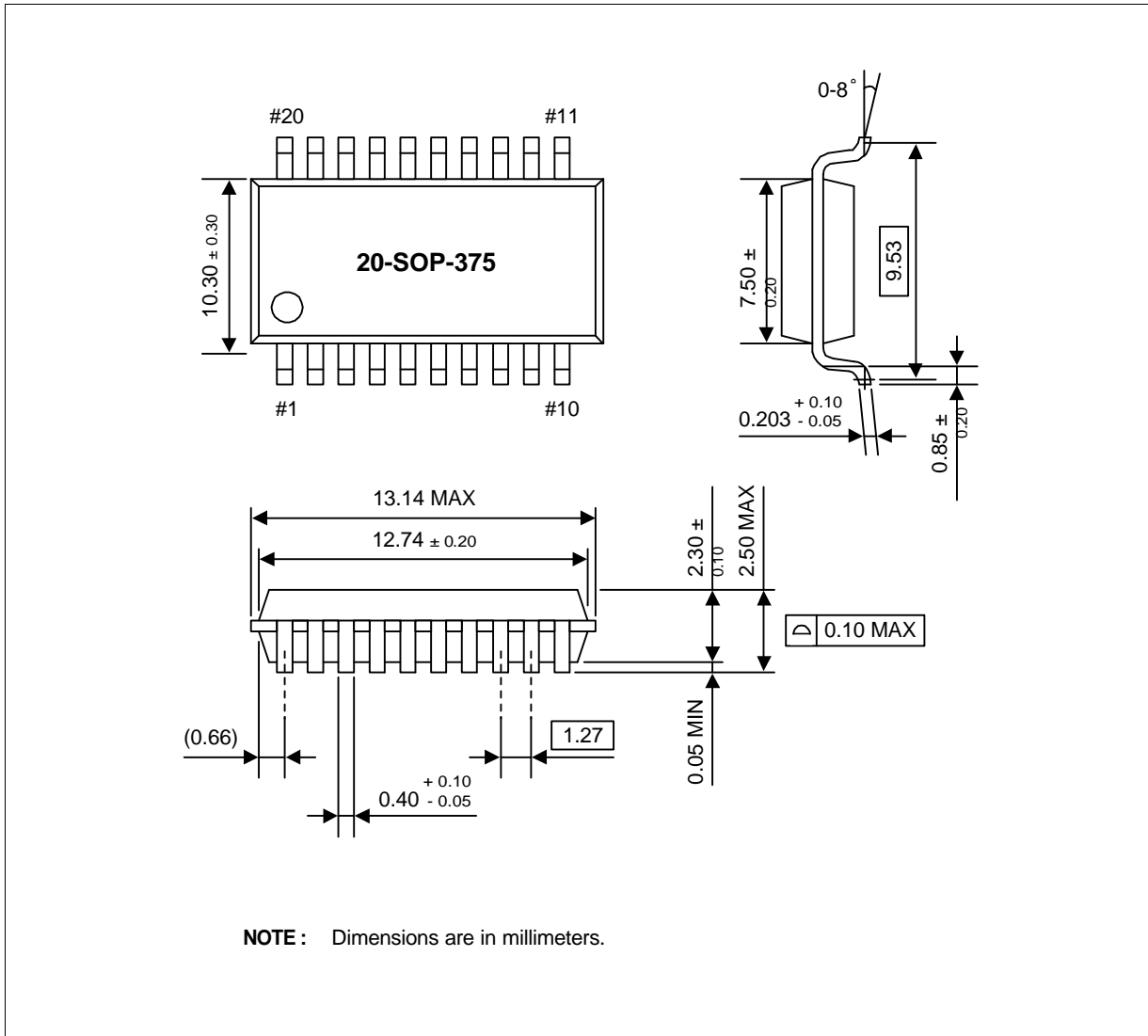


Figure 15-2. 20-SOP-375 Package Dimensions

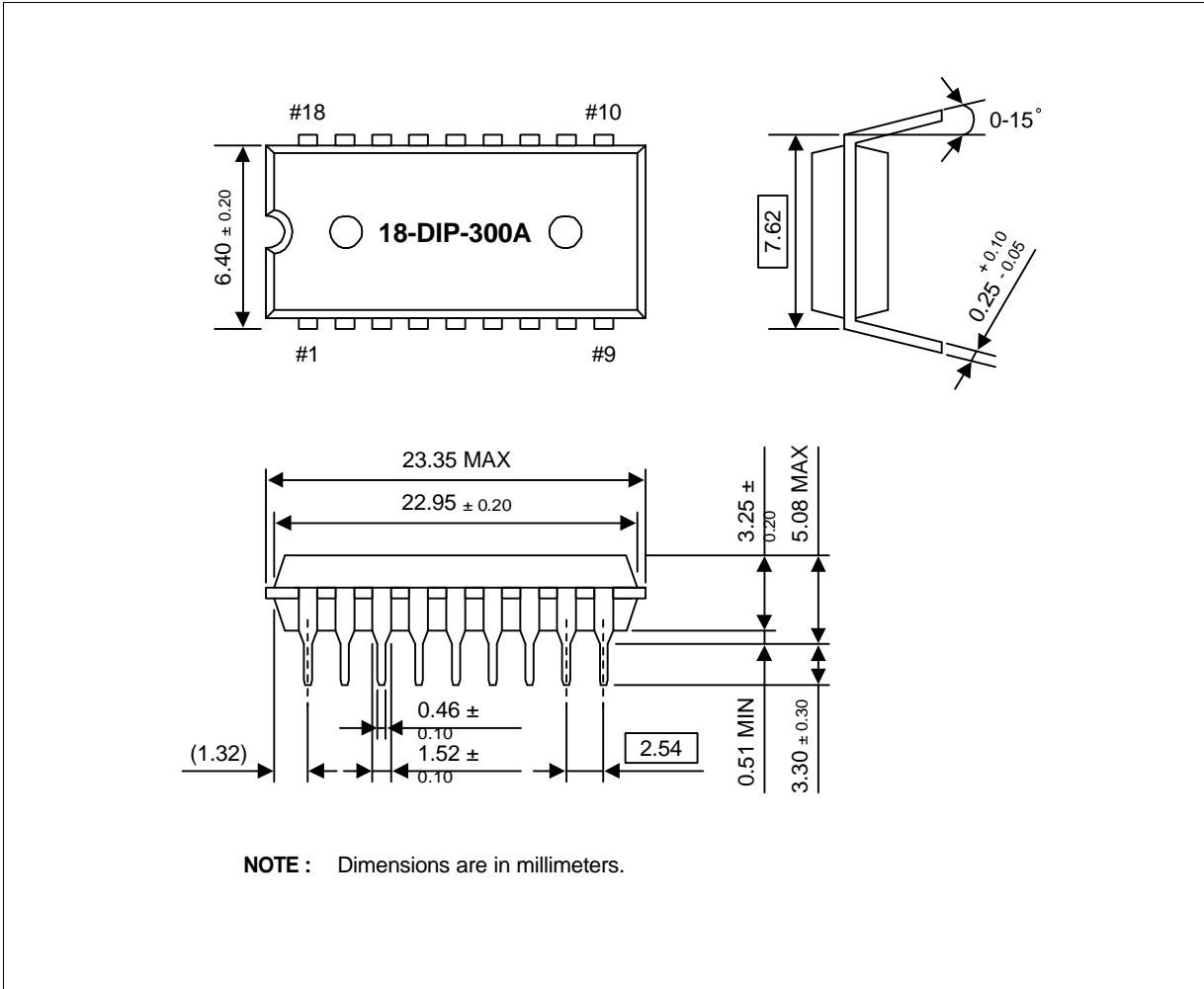


Figure 15-3. 18-DIP-300A Package Dimensions

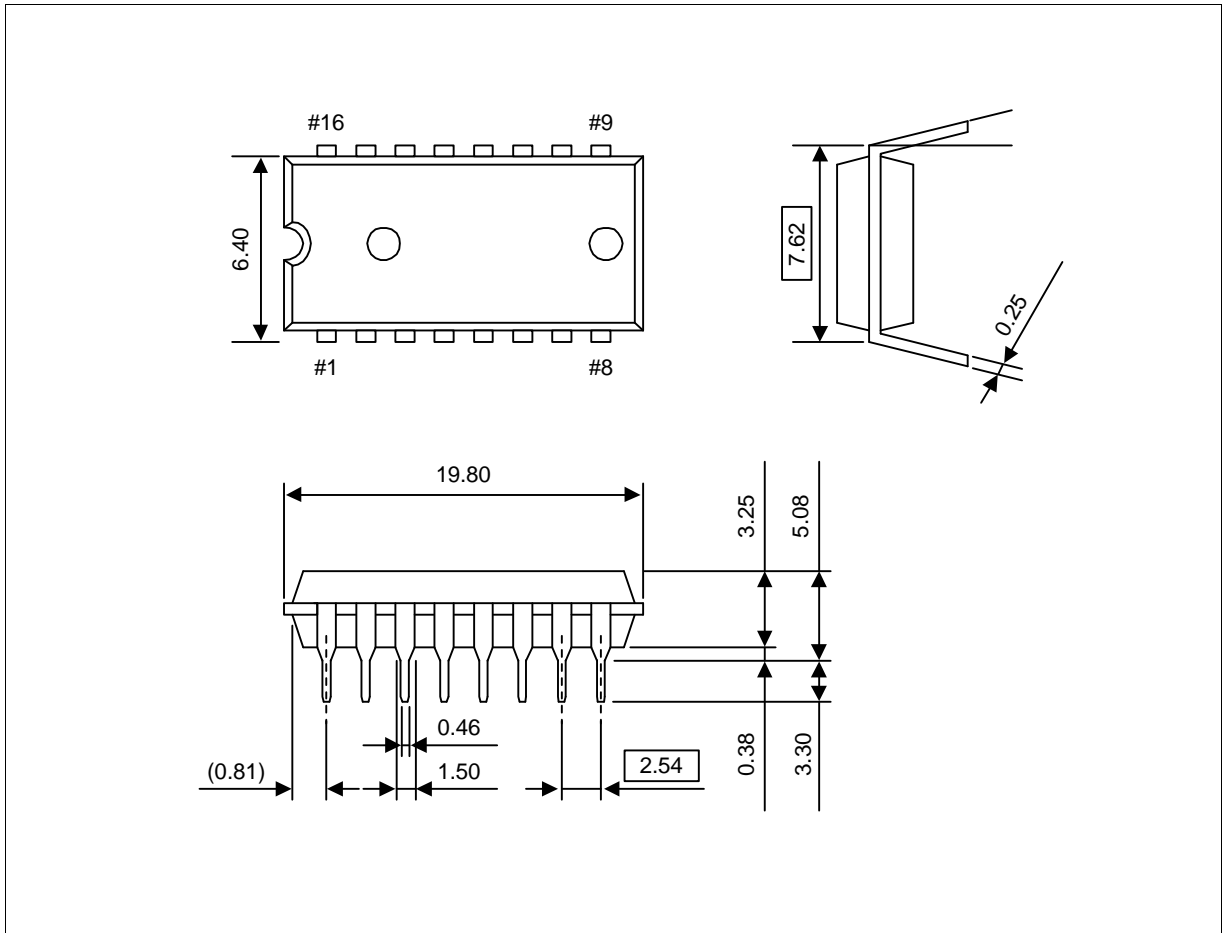


Figure 15-4. 16-DIP-300A Package Dimensions

16

KS86P4304 OTP

OVERVIEW

The KS86P4304 single-chip CMOS microcontroller is the OTP (One Time Programmable) version of the KS86C4302/C4304 microcontroller. It has an on-chip OTP ROM instead of masked ROM. The EPROM is accessed by serial data format.

The KS86P4304 is fully compatible with the KS86C4302/C4304, in function, in D.C. electrical characteristics, and in pin configuration. Because of its simple programming requirements, the KS86P4304 is ideal for use as an evaluation chip for the KS86C4302/C4304.

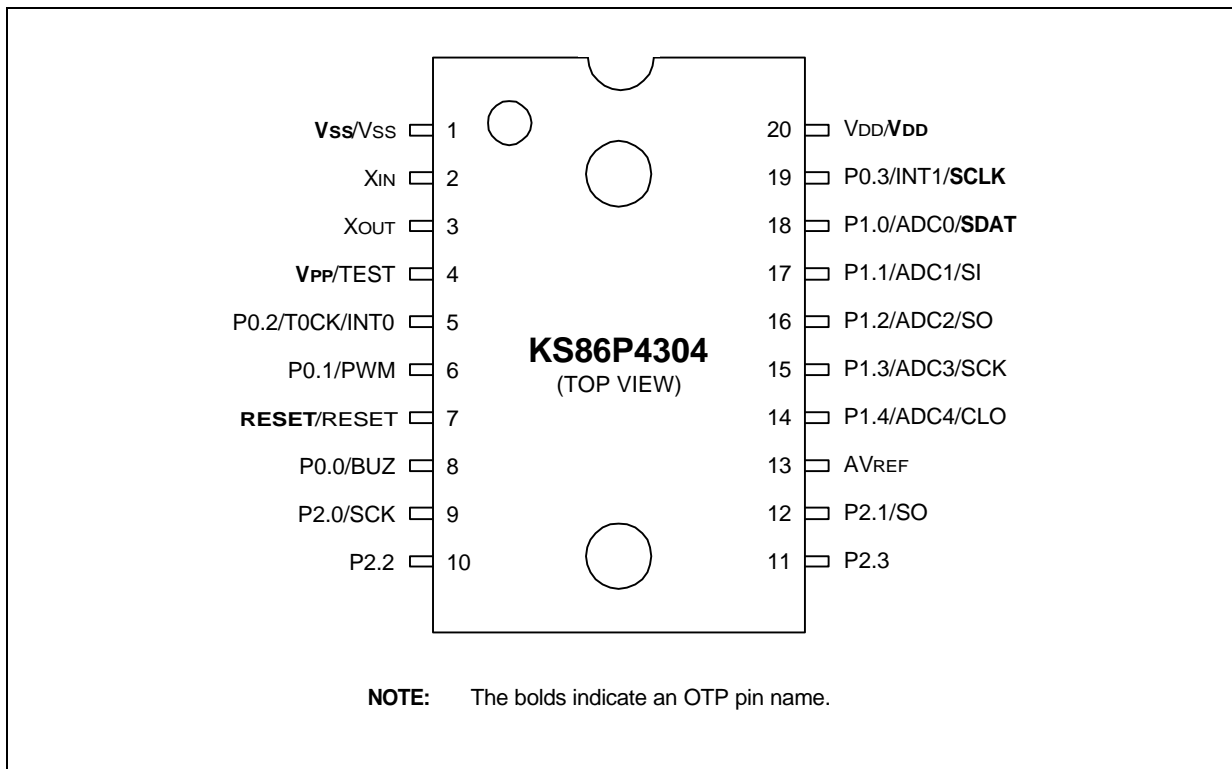


Figure 16-1. Pin Assignment Diagram (20-Pin DIP Package)

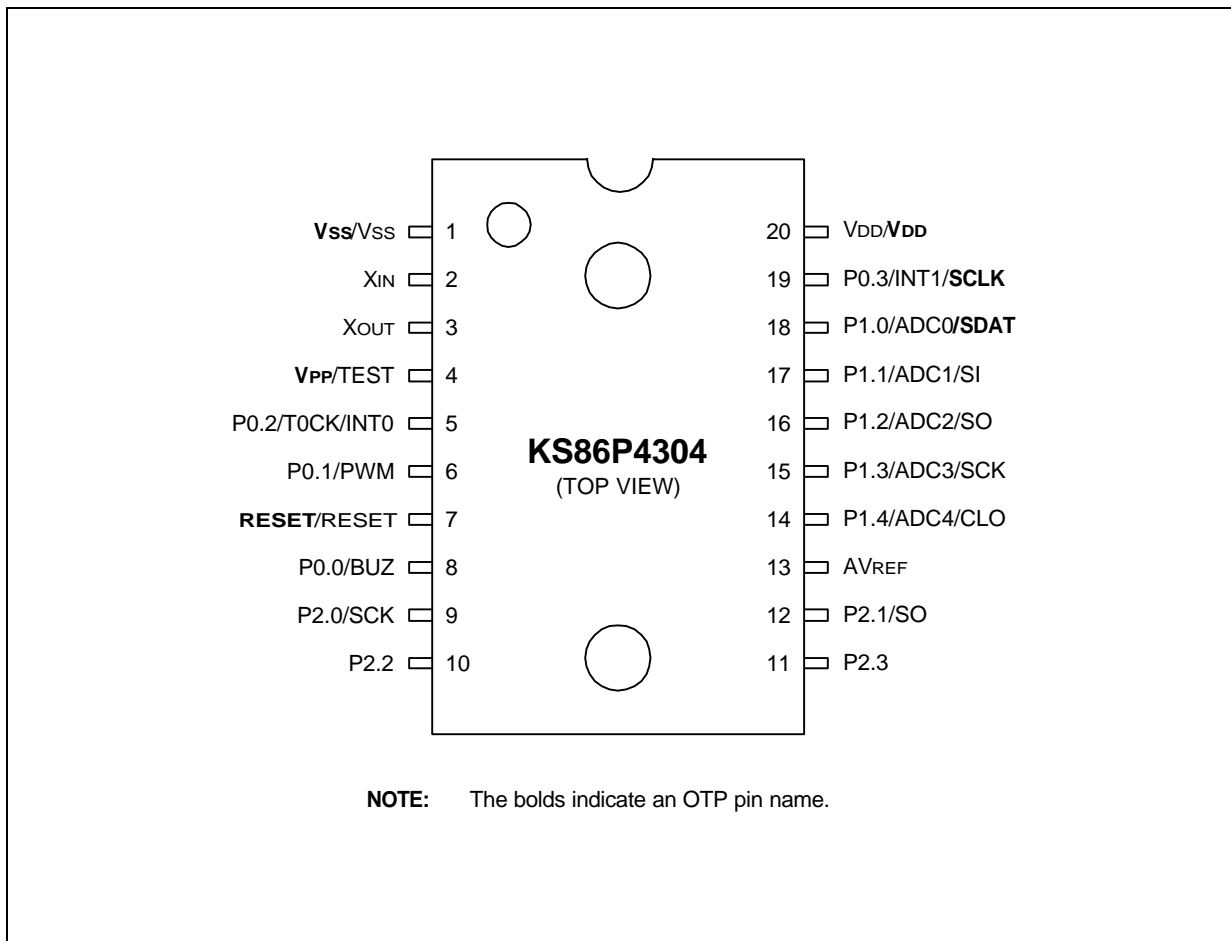


Figure 16-2. Pin Assignment Diagram (20-Pin SOP Package)

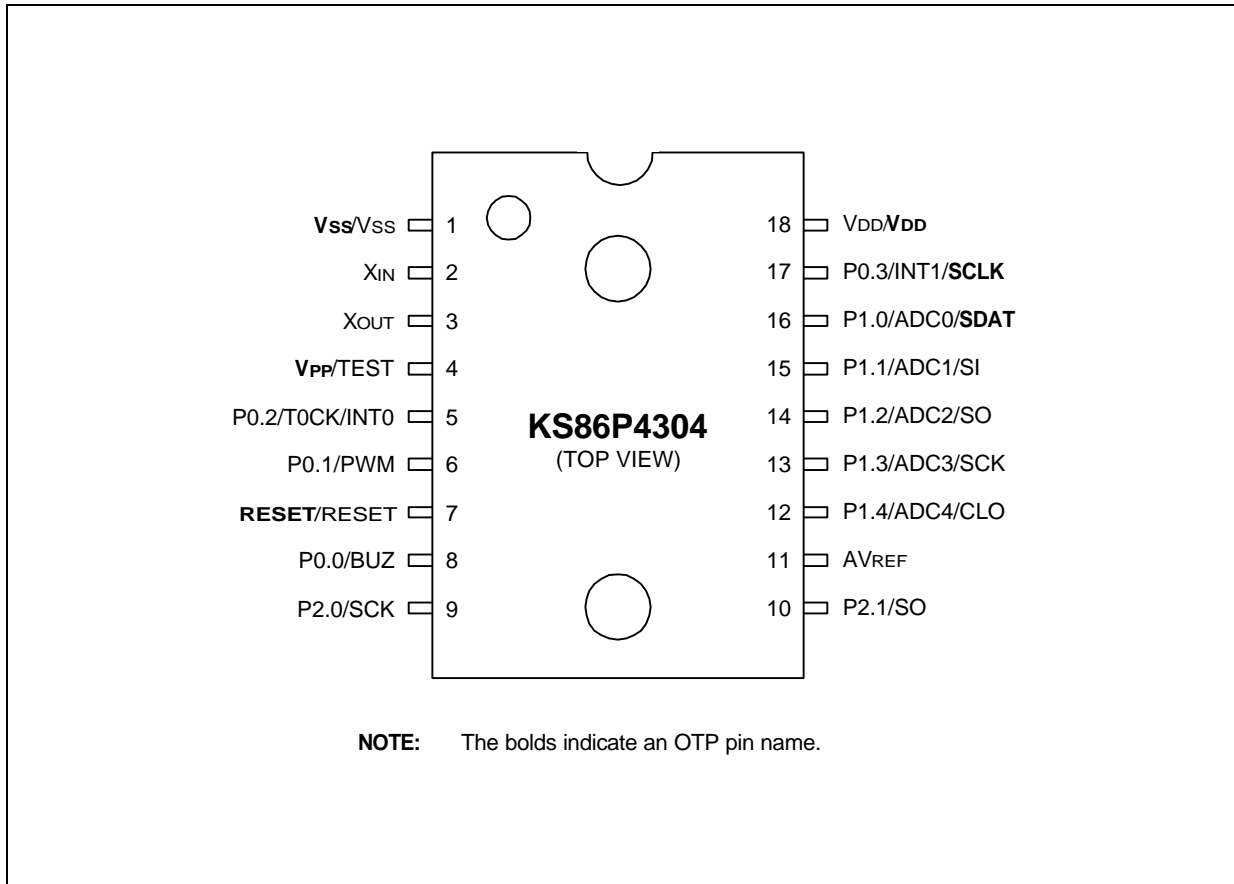


Figure 16-3. Pin Assignment Diagram (18-Pin DIP Package)

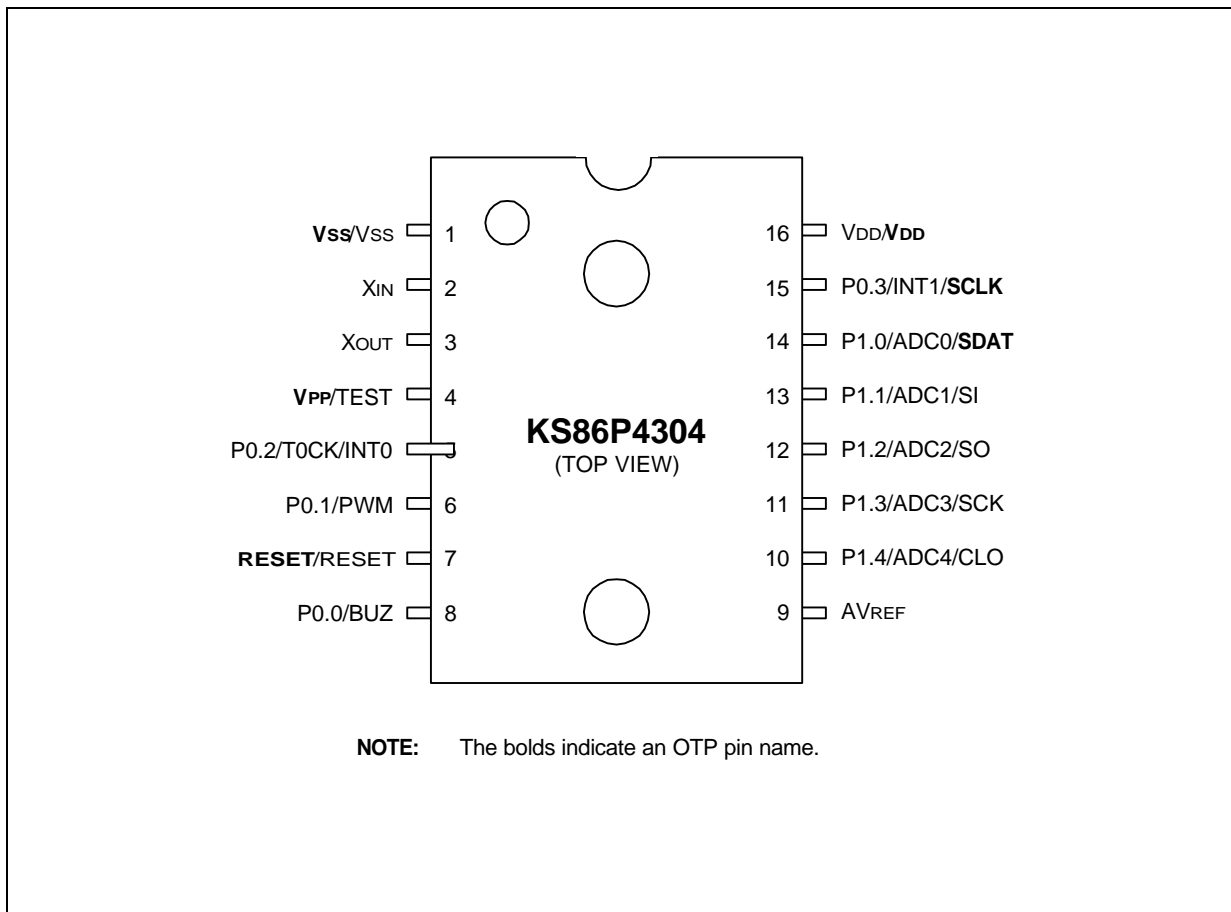


Figure 16-4. Pin Assingment Diagram (16-Pin DIP Package)

Table 16-1. Descriptions of Pins Used to Read/Write the EPROM

Main Chip Pin Name	During Programming			
	Pin Name	Pin No.	I/O	Function
P0.3	SDAT	18 (20-pin) 16 (18-pin)	I/O	Serial data pin (output when reading, Input when writing) Input and push-pull output port can be assigned
P0.2	SCLK	19 (20-pin) 17 (18-pin)	I	Serial clock pin (input only pin)
TEST	V _{PP} (TEST)	4	I	Power supply pin for EPROM cell writing (indicates that OTP enters into the writing mode). When 12.5 V is applied, OTP is in writing mode and when 5 V is applied, OTP is in reading mode. (Option)
RESET	RESET	7	I	Chip Initialization
V _{DD} /V _{SS}	V _{DD} /V _{SS}	20 (20-pin), 18 (18-pin) 1 (20-pin), 1 (18-pin)	I	Logic power supply pin.

NOTE: () means the SOP OTP pin number.

Table 16-2. Comparison of KS86P4304 and KS86C4302/C4304 Features

Characteristic	KS86P4304	KS86C4302/C4304
Program Memory	4 Kbyte EPROM	2K/4K byte mask ROM
Operating Voltage (V _{DD})	3.0 V to 5.5 V	3.0 V to 5.5 V
OTP Programming Mode	V _{DD} = 5 V, V _{PP} (TEST) = 12.5 V	
Pin Configuration	20 DIP/20 SOP/18 DIP	
EPROM Programmability	User Program 1 time	Programmed at the factory

OPERATING MODE CHARACTERISTICS

When 12.5 V is supplied to the V_{PP} (TEST) pin of the KS86P4304, the EPROM programming mode is entered. The operating mode (read, write, or read protection) is selected according to the input signals to the pins listed in Table 16-3 below.

Table 16-3. Operating Mode Selection Criteria

V _{DD}	V _{PP} (TEST)	REG/MEM	ADDRESS (A15-A0)	R/W	MODE
5 V	5 V	0	0000H	1	EPROM read
	12.5 V	0	0000H	0	EPROM program
	12.5 V	0	0000H	1	EPROM verify
	12.5 V	1	0E3FH	0	EPROM read protection

NOTE: "0" means Low level; "1" means High level.

NOTES