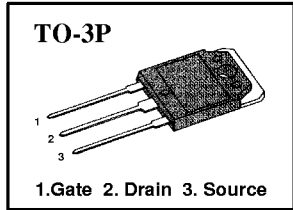


FEATURES

- Avalanche Rugged Technology
- Rugged Gate Oxide Technology
- Lower Input Capacitance
- Improved Gate Charge
- Extended Safe Operating Area
- Lower Leakage Current : 25 μ A (Max.) @ $V_{DS} = 900V$
- Low $R_{DS(ON)}$: 2.300 Ω (Typ.)

| |
|---------------------------|
| $BV_{DSS} = 900 V$ |
| $R_{DS(on)} = 2.9 \Omega$ |
| $I_D = 5 A$ |



Absolute Maximum Ratings

| Symbol | Characteristic | Value | Units |
|----------------|--|--------------|------------|
| V_{DSS} | Drain-to-Source Voltage | 900 | V |
| I_D | Continuous Drain Current ($T_C=25^\circ C$) | 5 | A |
| | Continuous Drain Current ($T_C=100^\circ C$) | 3.2 | |
| I_{DM} | Drain Current-Pulsed ① | 20 | A |
| V_{GS} | Gate-to-Source Voltage | ± 30 | V |
| E_{AS} | Single Pulsed Avalanche Energy ② | 529 | mJ |
| I_{AR} | Avalanche Current ① | 5 | A |
| E_{AR} | Repetitive Avalanche Energy ① | 16 | mJ |
| dv/dt | Peak Diode Recovery dv/dt ③ | 1.5 | V/ns |
| P_D | Total Power Dissipation ($T_C=25^\circ C$) | 160 | W |
| | Linear Derating Factor | 1.28 | |
| T_J, T_{STG} | Operating Junction and Storage Temperature Range | - 55 to +150 | $^\circ C$ |
| T_L | Maximum Lead Temp. for Soldering Purposes, 1/8 " from case for 5-seconds | 300 | |

Thermal Resistance

| Symbol | Characteristic | Typ. | Max. | Units |
|-----------------|---------------------|------|------|----------------|
| $R_{\theta JC}$ | Junction-to-Case | -- | 0.78 | $^\circ C / W$ |
| $R_{\theta CS}$ | Case-to-Sink | 0.24 | -- | |
| $R_{\theta JA}$ | Junction-to-Ambient | -- | 40 | |

Electrical Characteristics ($T_C=25\text{ }^\circ\text{C}$ unless otherwise specified)

| Symbol | Characteristic | Min. | Typ. | Max. | Units | Test Condition |
|------------------------|---|------|------|------|---------------------|---|
| BV_{DSS} | Drain-Source Breakdown Voltage | 900 | -- | -- | V | $V_{GS}=0V, I_D=250\mu A$ |
| $\Delta BV/\Delta T_J$ | Breakdown Voltage Temp. Coeff. | -- | 1.14 | -- | V/ $^\circ\text{C}$ | $I_D=250\mu A$ See Fig 7 |
| $V_{GS(th)}$ | Gate Threshold Voltage | 2.0 | -- | 3.5 | V | $V_{DS}=5V, I_D=250\mu A$ |
| I_{GSS} | Gate-Source Leakage, Forward | -- | -- | 100 | nA | $V_{GS}=30V$ |
| | Gate-Source Leakage, Reverse | -- | -- | -100 | | $V_{GS}=-30V$ |
| I_{DSS} | Drain-to-Source Leakage Current | -- | -- | 25 | μA | $V_{DS}=900V$ |
| | | -- | -- | 250 | | $V_{DS}=720V, T_C=125\text{ }^\circ\text{C}$ |
| $R_{DS(on)}$ | Static Drain-Source On-State Resistance | -- | -- | 2.9 | Ω | $V_{GS}=10V, I_D=2.5A$ ④* |
| g_{fs} | Forward Transconductance | -- | 4.0 | -- | S | $V_{DS}=50V, I_D=2.5A$ ④ |
| C_{iss} | Input Capacitance | -- | 1110 | 1440 | pF | $V_{GS}=0V, V_{DS}=25V, f=1\text{MHz}$ See Fig 5 |
| C_{oss} | Output Capacitance | -- | 105 | 125 | | |
| C_{riss} | Reverse Transfer Capacitance | -- | 43 | 50 | | |
| $t_{d(on)}$ | Turn-On Delay Time | -- | 21 | 50 | ns | $V_{DD}=450V, I_D=5A,$ $R_G=13.6\text{ }\Omega$ See Fig 13 ④ ⑤ |
| t_r | Rise Time | -- | 39 | 90 | | |
| $t_{d(off)}$ | Turn-Off Delay Time | -- | 94 | 200 | | |
| t_f | Fall Time | -- | 32 | 75 | | |
| Q_g | Total Gate Charge | -- | 54 | 70 | nC | $V_{DS}=720V, V_{GS}=10V,$ $I_D=5A$ See Fig 6 & Fig 12 ④ ⑤ |
| Q_{gs} | Gate-Source Charge | -- | 9.0 | -- | | |
| Q_{gd} | Gate-Drain("Miller ") Charge | -- | 25.0 | -- | | |

Source-Drain Diode Ratings and Characteristics

| Symbol | Characteristic | Min. | Typ. | Max. | Units | Test Condition |
|----------|---------------------------|------|------|------|---------------|---|
| I_S | Continuous Source Current | -- | -- | 5 | A | Integral reverse pn-diode in the MOSFET |
| I_{SM} | Pulsed-Source Current ① | -- | -- | 20 | | |
| V_{SD} | Diode Forward Voltage ④ | -- | -- | 1.4 | V | $T_J=25\text{ }^\circ\text{C}, I_S=5A, V_{GS}=0V$ |
| t_{rr} | Reverse Recovery Time | -- | 540 | -- | ns | $T_J=25\text{ }^\circ\text{C}, I_F=5A$ |
| Q_{rr} | Reverse Recovery Charge | -- | 5.62 | -- | μC | $di_F/dt=100A/\mu\text{s}$ ④ |

Notes ;

- ✘ Repetitive Rating : Pulse Width Limited by Maximum Junction Temperature
- ✘ $L=40\text{mH}, I_{AS}=5A, V_{DD}=50V, R_G=27\Omega,$ Starting $T_J=25\text{ }^\circ\text{C}$
- ✘ $I_{SD} \leq 5A, di/dt \leq 120A/\mu\text{s}, V_{DD} \leq BV_{DSS},$ Starting $T_J=25\text{ }^\circ\text{C}$
- ✘ @Pulse Test : Pulse Width = 250 μs , Duty Cycle $\leq 2\%$
- ✘ ° Essentially Independent of Operating Temperature

Fig 1. Output Characteristics

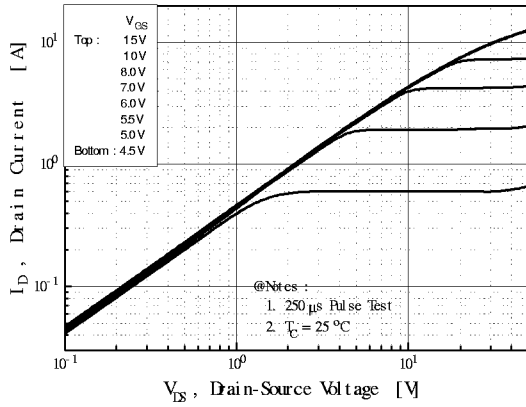


Fig 2. Transfer Characteristics

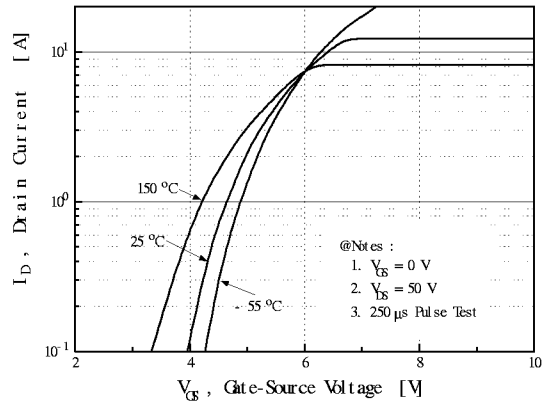


Fig 3. On-Resistance vs. Drain Current

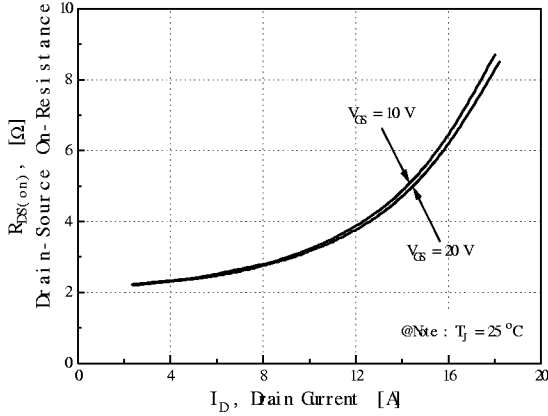


Fig 4. Source-Drain Diode Forward Voltage

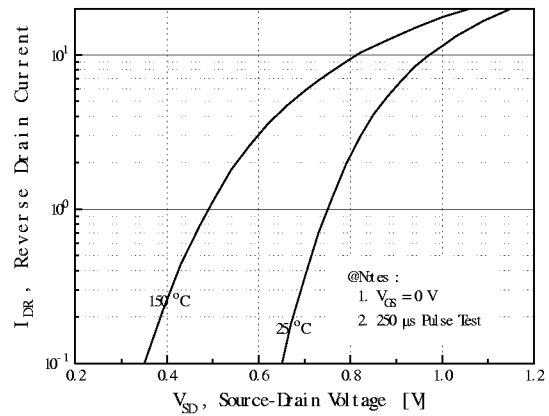


Fig 5. Capacitance vs. Drain-Source Voltage

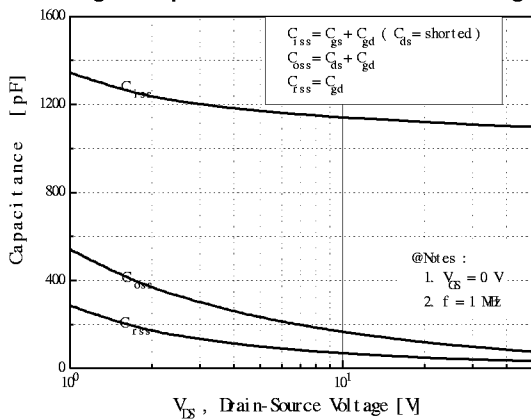
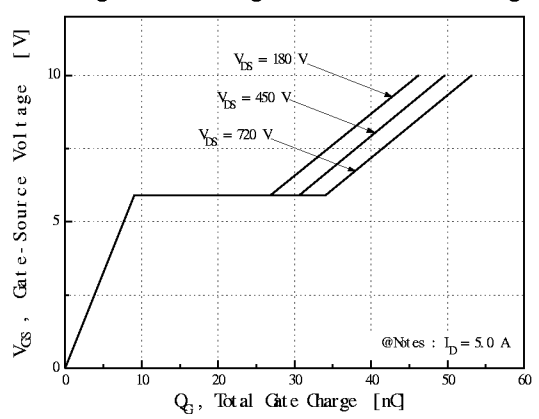


Fig 6. Gate Charge vs. Gate-Source Voltage



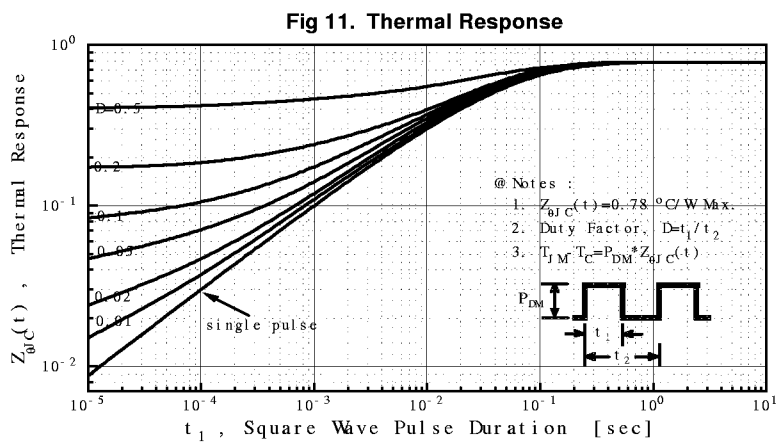
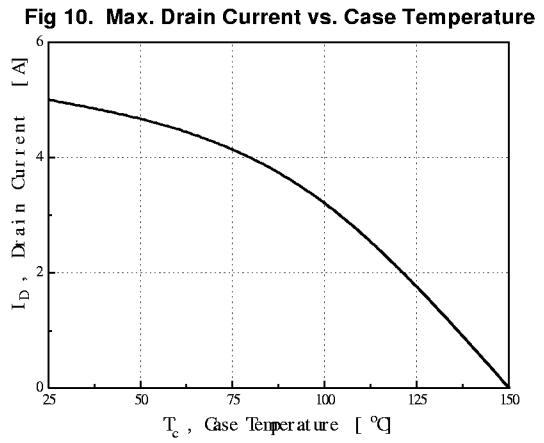
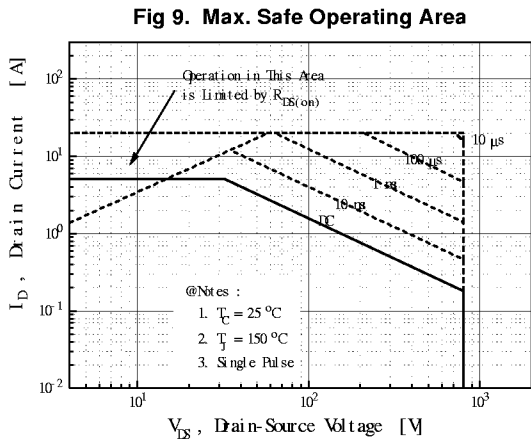
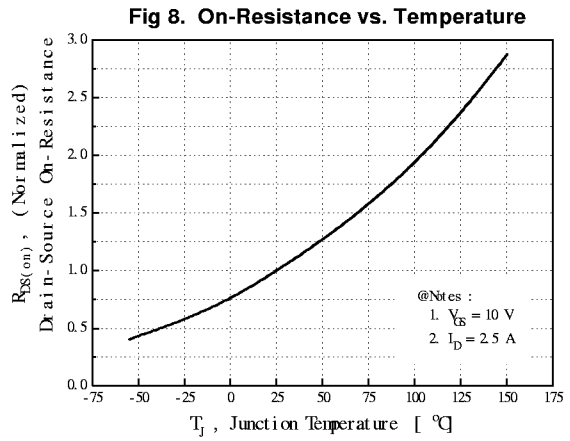
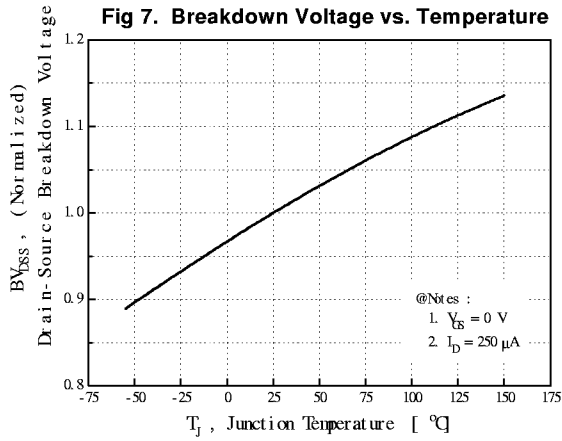


Fig 12. Gate Charge Test Circuit & Waveform

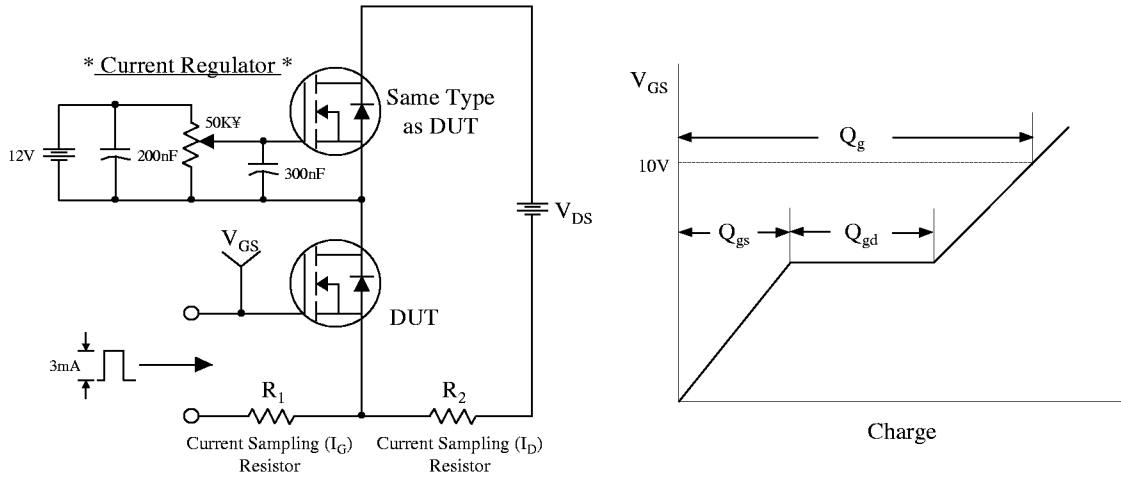


Fig 13. Resistive Switching Test Circuit & Waveforms

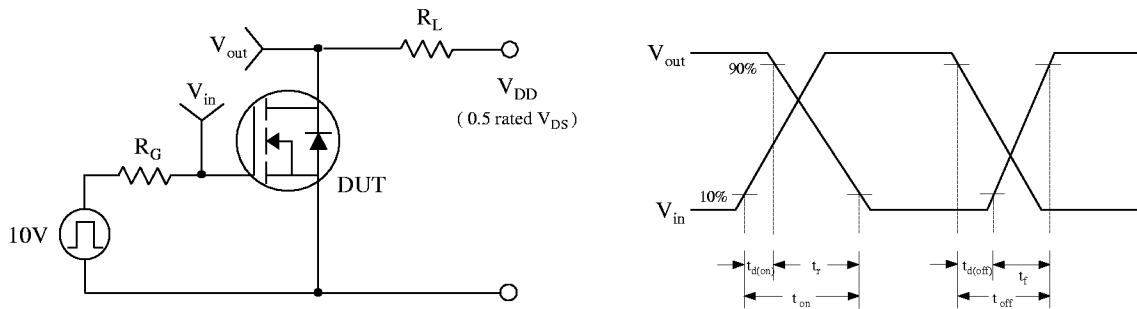


Fig 14. Unclamped Inductive Switching Test Circuit & Waveforms

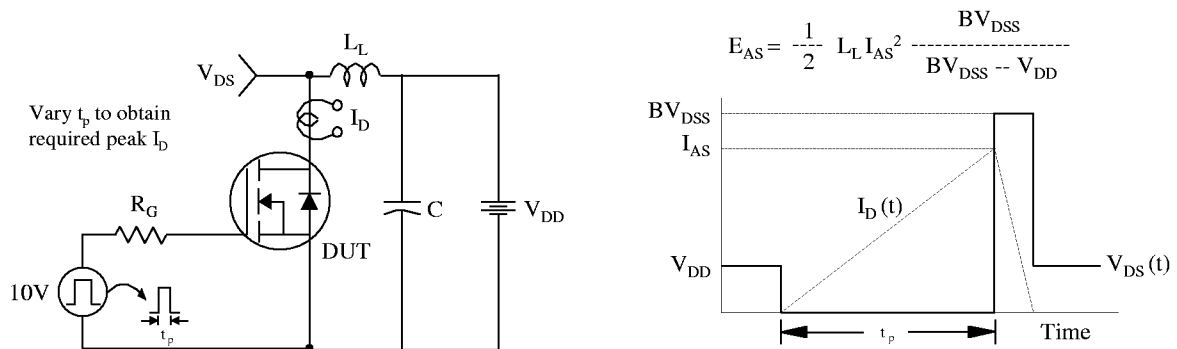


Fig 15. Peak Diode Recovery dv/dt Test Circuit & Waveforms

