

# 128Mbit GDDR SDRAM

*1M x 32Bit x 4 Banks  
Graphic Double Data Rate  
Synchronous DRAM  
with Bi-directional Data Strobe and DLL  
(144-Ball FBGA)*

**Revision 1.7**

**November 2003**

Samsung Electronics reserves the right to change products or specification without notice.

**Revision History****Revision 1.7 (November 14, 2003)**

- Typo corrected

**Revision 1.6 (August 14, 2003)**

- Added a note for the input reference voltage of clock in case of differential clocks

**Revision 1.5 (August 11, 2003)**

- Typo corrected

**Revision 1.4 (April 30, 2003)**

- Added Lead free package part number in the datasheet

**Revision 1.3 (April 14, 2003)**

- K4D263238E-GC2A/33/36 support wide voltage range from 2.375V to 2.94V

**Revision 1.2 (April 7, 2003)**

- Removed K4D263238E-GL36 from the spec.

**Revision 1.1 (March 17, 2003)**

- Typo corrected

**Revision 1.0 (February 13, 2003)**

- Defined DC spec
- Added K4D263238E-GC25 and K4D263238E-GL36 in the spec.

**1M x 32Bit x 4 Banks Graphic Double Data Rate Synchronous DRAM with Bi-directional Data Strobe and DLL**

**FEATURES**

- VDD/VDDQ = 2.8V ± 5% for -GC25
- VDD/VDDQ = 2.5V ± 5% for -GC2A/33/36/40/45
- SSTL\_2 compatible inputs/outputs
- 4 banks operation
- MRS cycle with address key programs
  - Read latency 3, 4, 5 (clock)
  - Burst length (2, 4, 8 and Full page)
  - Burst type (sequential & interleave)
- Full page burst length for sequential burst type only
- Start address of the full page burst should be even
- All inputs except data & DM are sampled at the positive going edge of the system clock
- Differential clock input
- No Write-Interrupted by Read Function
- 4 DQS's ( 1DQS / Byte )
- Data I/O transactions on both edges of Data strobe
- DLL aligns DQ and DQS transitions with Clock transition
- Edge aligned data & data strobe output
- Center aligned data & data strobe input
- DM for write masking only
- Auto & Self refresh
- 32ms refresh period (4K cycle)
- 144-Ball FBGA
- Maximum clock frequency up to 400MHz
- Maximum data rate up to 800Mbps/pin

**ORDERING INFORMATION**

Part NO.	Max Freq.	Max Data Rate	Interface	Package
K4D263238E-GC25	400MHz	800Mbps/pin	SSTL_2 (VDD/VDDQ=2.8V)	144-Ball FBGA
K4D263238E-GC2A	350MHz	700Mbps/pin	SSTL_2 (VDD/VDDQ=2.5V)	
K4D263238E-GC33	300MHz	600Mbps/pin		
K4D263238E-GC36	275MHz	550Mbps/pin		
K4D263238E-GC40	250MHz	500Mbps/pin		
K4D263238E-GC45	222MHz	444Mbps/pin		

**K4D263238E-VC is the Lead Free package part number.**

**GENERAL DESCRIPTION**

**FOR 1M x 32Bit x 4 Bank DDR SDRAM**

The K4D263238E is 134,217,728 bits of hyper synchronous data rate Dynamic RAM organized as 4 x1,048,576 words by 32 bits, fabricated with SAMSUNG's high performance CMOS technology. Synchronous features with Data Strobe allow extremely high performance up to 3.2GB/s/chip. I/O transactions are possible on both edges of the clock cycle. Range of operating frequencies, programmable burst length and programmable latencies allow the device to be useful for a variety of high performance memory system applications.

**PIN CONFIGURATION (Top View)**

	<b>2</b>	<b>3</b>	<b>4</b>	<b>5</b>	<b>6</b>	<b>7</b>	<b>8</b>	<b>9</b>	<b>10</b>	<b>11</b>	<b>12</b>	<b>13</b>
<b>B</b>	DQS0	DM0	VSSQ	DQ3	DQ2	DQ0	DQ31	DQ29	DQ28	VSSQ	DM3	DQS3
<b>C</b>	DQ4	VDDQ	NC	VDDQ	DQ1	VDDQ	VDDQ	DQ30	VDDQ	NC	VDDQ	DQ27
<b>D</b>	DQ6	DQ5	VSSQ	VSSQ	VSSQ	VDD	VDD	VSSQ	VSSQ	VSSQ	DQ26	DQ25
<b>E</b>	DQ7	VDDQ	VDD	VSS	VSSQ	VSS	VSS	VSSQ	VSS	VDD	VDDQ	DQ24
<b>F</b>	DQ17	DQ16	VDDQ	VSSQ	VSS Thermal	VSS Thermal	VSS Thermal	VSS Thermal	VSSQ	VDDQ	DQ15	DQ14
<b>G</b>	DQ19	DQ18	VDDQ	VSSQ	VSS Thermal	VSS Thermal	VSS Thermal	VSS Thermal	VSSQ	VDDQ	DQ13	DQ12
<b>H</b>	DQS2	DM2	NC	VSSQ	VSS Thermal	VSS Thermal	VSS Thermal	VSS Thermal	VSSQ	NC	DM1	DQS1
<b>J</b>	DQ21	DQ20	VDDQ	VSSQ	VSS Thermal	VSS Thermal	VSS Thermal	VSS Thermal	VSSQ	VDDQ	DQ11	DQ10
<b>K</b>	DQ22	DQ23	VDDQ	VSSQ	VSS	VSS	VSS	VSS	VSSQ	VDDQ	DQ9	DQ8
<b>L</b>	$\overline{\text{CAS}}$	$\overline{\text{WE}}$	VDD	VSS	A10	VDD	VDD	RFU <sub>1</sub>	VSS	VDD	NC	NC
<b>M</b>	$\overline{\text{RAS}}$	NC	NC	BA1	A2	A11	A9	A5	RFU <sub>2</sub>	CK	$\overline{\text{CK}}$	MCL
<b>N</b>	$\overline{\text{CS}}$	NC	BA0	A0	A1	A3	A4	A6	A7	A8/AP	CKE	VREF

**NOTE:**

1. RFU1 is reserved for A12
2. RFU2 is reserved for BA2
3. VSS Thermal balls are optional

**PIN DESCRIPTION**

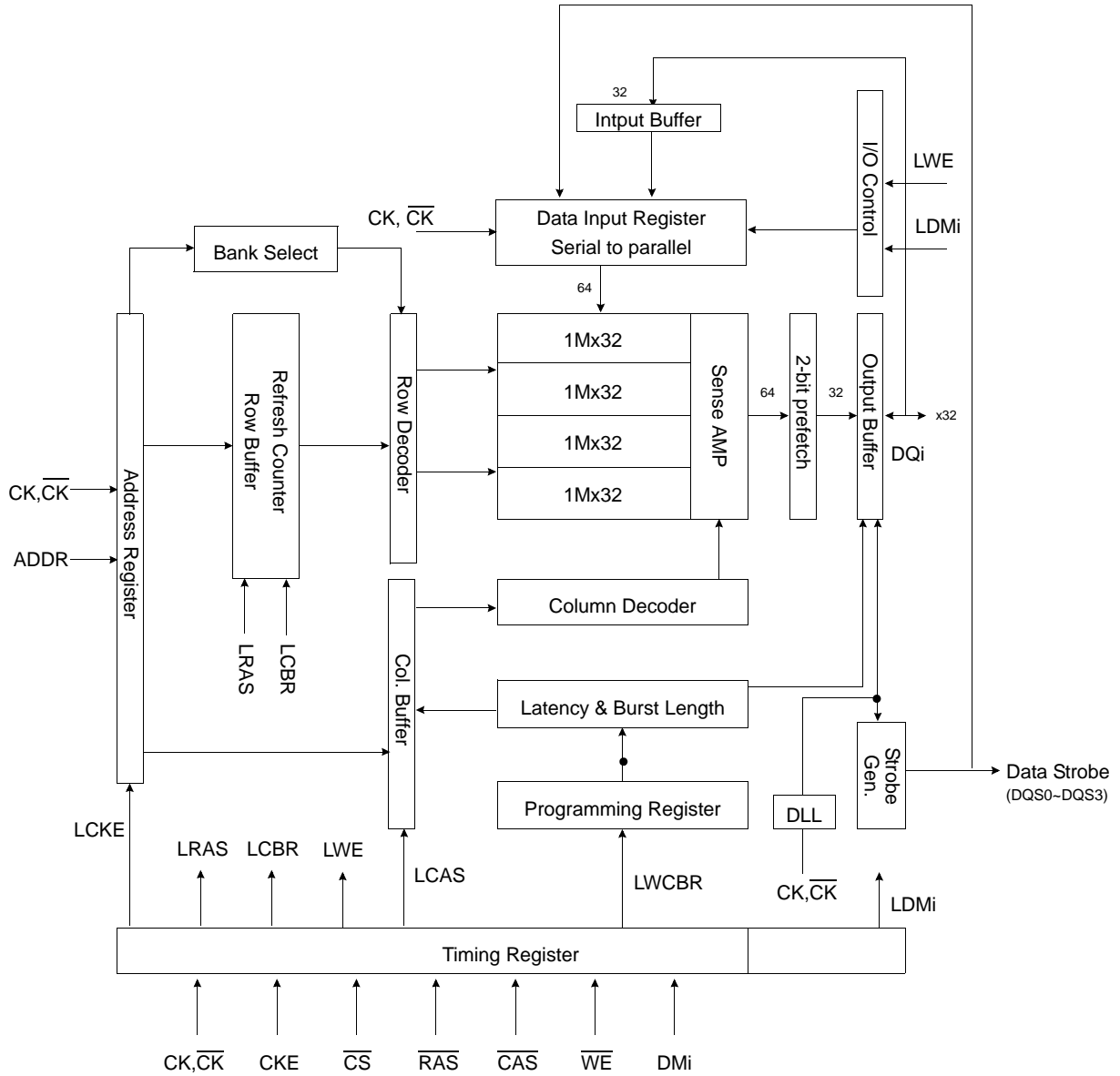
CK, $\overline{\text{CK}}$	Differential Clock Input	BA0, BA1	Bank Select Address
CKE	Clock Enable	A0 ~A11	Address Input
$\overline{\text{CS}}$	Chip Select	DQ0 ~ DQ31	Data Input/Output
$\overline{\text{RAS}}$	Row Address Strobe	VDD	Power
$\overline{\text{CAS}}$	Column Address Strobe	VSS	Ground
WE	Write Enable	VDDQ	Power for DQ's
DQS	Data Strobe	VSSQ	Ground for DQ's
DM	Data Mask	NC	No Connection
RFU	Reserved for Future Use	MCL	Must Connect Low

## INPUT/OUTPUT FUNCTIONAL DESCRIPTION

Symbol	Type	Function
CK, $\overline{CK}^{*1}$	Input	The differential system clock Input. All of the inputs are sampled on the rising edge of the clock except DQ's and DM's that are sampled on both edges of the DQS.
CKE	Input	Activates the CK signal when high and deactivates the $\overline{CK}$ signal when low. By deactivating the clock, CKE low indicates the Power down mode or Self refresh mode.
$\overline{CS}$	Input	$\overline{CS}$ enables the command decoder when low and disabled the command decoder when high. When the command decoder is disabled, new commands are ignored but previous operations continue.
$\overline{RAS}$	Input	Latches row addresses on the positive going edge of the CK with $\overline{RAS}$ low. Enables row access & precharge.
$\overline{CAS}$	Input	Latches column addresses on the positive going edge of the CK with $\overline{CAS}$ low. Enables column access.
$\overline{WE}$	Input	Enables write operation and row precharge. Latches data in starting from $\overline{CAS}$ , $\overline{WE}$ active.
DQS0 ~ DQS3	Input/Output	Data input and output are synchronized with both edge of DQS. DQS0 for DQ0 ~ DQ7, DQS1 for DQ8 ~ DQ15, DQS2 for DQ16 ~ DQ23, DQS3 for DQ24 ~ DQ31.
DM0 ~ DM3	Input	Data In mask. Data In is masked by DM Latency=0 when DM is high in burst write. DM0 for DQ0 ~ DQ7, DM1 for DQ8 ~ DQ15, DM2 for DQ16 ~ DQ23, DM3 for DQ24 ~ DQ31.
DQ0 ~ DQ31	Input/Output	Data inputs/Outputs are multiplexed on the same pins.
BA0, BA1	Input	Selects which bank is to be active.
A0 ~ A11	Input	Row/Column addresses are multiplexed on the same pins. Row addresses : RA0 ~ RA11, Column addresses : CA0 ~ CA7. Column address CA8 is used for auto precharge.
VDD/VSS	Power Supply	Power and ground for the input buffers and core logic.
VDDQ/VSSQ	Power Supply	Isolated power supply and ground for the output buffers to provide improved noise immunity.
VREF	Power Supply	Reference voltage for inputs, used for SSTL interface.
NC/RFU	No connection/ Reserved for future use	This pin is recommended to be left "No connection" on the device
MCL	Must Connect Low	Must connect low

\*1 : The timing reference point for the differential clocking is the cross point of CK and  $\overline{CK}$ .  
For any applications using the single ended clocking, apply VREF to  $\overline{CK}$  pin.

BLOCK DIAGRAM (1Mbit x 32I/O x 4 Bank)



**FUNCTIONAL DESCRIPTION**

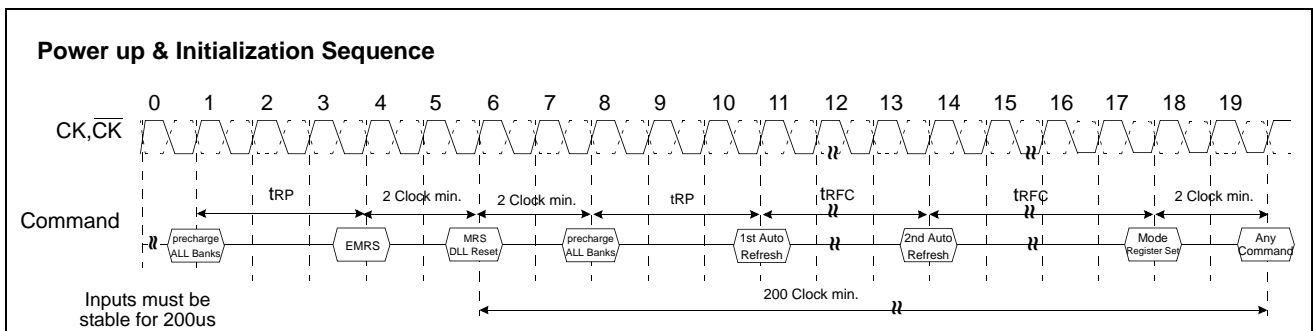
**• Power-Up Sequence**

DDR SDRAMs must be powered up and initialized in a predefined manner to prevent undefined operations.

1. Apply power and keep CKE at low state (All other inputs may be undefined)
  - Apply VDD before VDDQ .
  - Apply VDDQ before VREF & VTT
2. Start clock and maintain stable condition for minimum 200us.
3. The minimum of 200us after stable power and clock(CK,CK $\bar{}$ ), apply NOP and take CKE to be high .
4. Issue precharge command for all banks of the device.
5. Issue a EMRS command to enable DLL
- \*1 6. Issue a MRS command to reset DLL. The additional 200 clock cycles are required to lock the DLL.
- \*1,2 7. Issue precharge command for all banks of the device.
8. Issue at least 2 or more auto-refresh commands.
9. Issue a mode register set command with A8 to low to initialize the mode register.

\*1 The additional 200cycles of clock input is required to lock the DLL after enabling DLL.

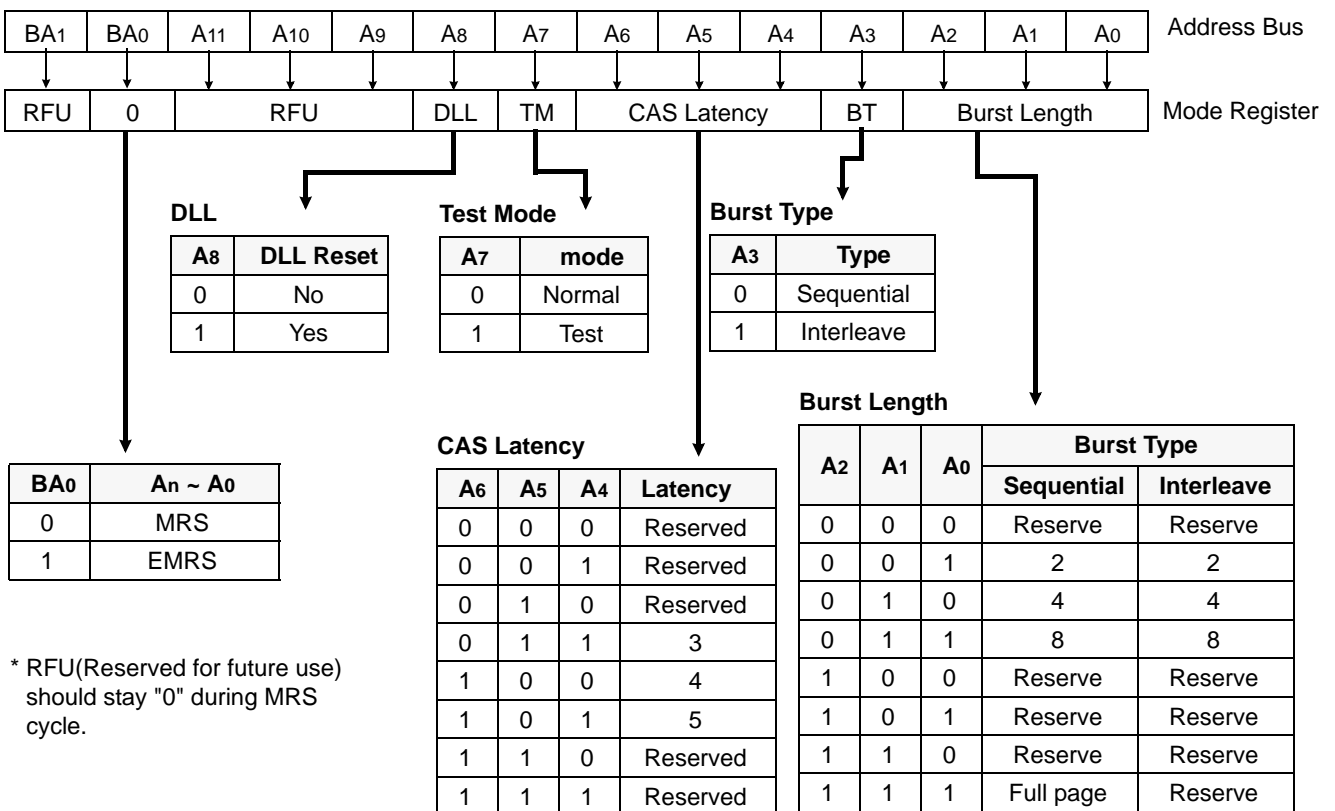
\*2 Sequence of 6&7 is regardless of the order



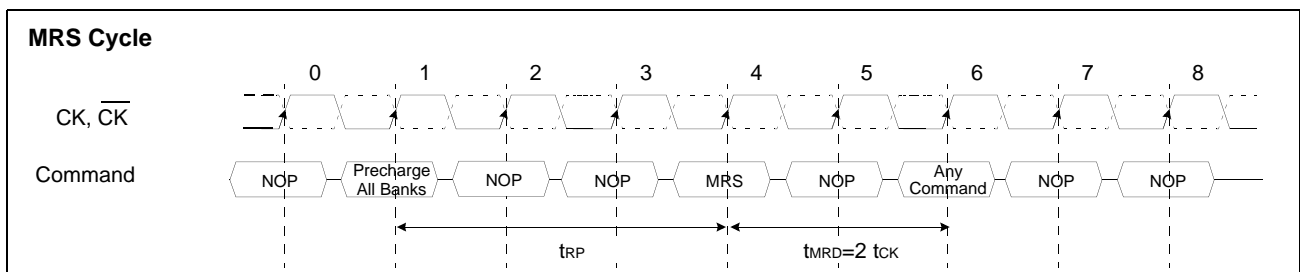
**\* When the operating frequency is changed, DLL reset should be required again.  
After DLL reset again, the minimum 200 cycles of clock input is needed to lock the DLL.**

**MODE REGISTER SET(MRS)**

The mode register stores the data for controlling the various operating modes of DDR SDRAM. It programs CAS latency, addressing mode, burst length, test mode, DLL reset and various vendor specific options to make DDR SDRAM useful for variety of different applications. The default value of the mode register is not defined, therefore the mode register must be written after EMRS setting for proper operation. The mode register is written by asserting low on CS, RAS, CAS and WE (The DDR SDRAM should be in active mode with CKE already high prior to writing into the mode register). The state of address pins A0 ~ A11 and BA0, BA1 in the same cycle as CS, RAS, CAS and WE going low is written in the mode register. Minimum two clock cycles are requested to complete the write operation in the mode register. The mode register contents can be changed using the same command and clock cycle requirements during operation as long as all banks are in the idle state. The mode register is divided into various fields depending on functionality. The burst length uses A0 ~ A2, addressing mode uses A3, CAS latency(read latency from column address) uses A4 ~ A6. A7 is used for test mode. A8 is used for DLL reset. A7,A8, BA0 and BA1 must be set to low for normal MRS operation. Refer to the table for specific codes for various burst length, addressing modes and CAS latencies.



\* RFU(Reserved for future use) should stay "0" during MRS cycle.

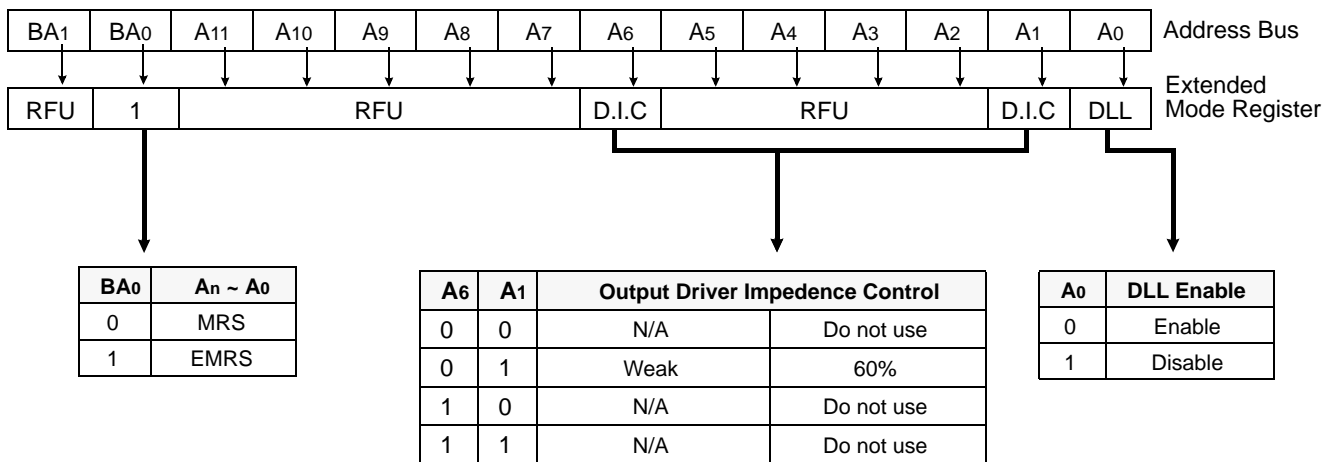


\*1 : MRS can be issued only at all banks precharge state.  
 \*2 : Minimum trp is required to issue MRS command.



**EXTENDED MODE REGISTER SET(EMRS)**

The extended mode register stores the data for enabling or disabling DLL and selecting output driver strength. The default value of the extended mode register is not defined, therefore the extended mode register must be written after power up for enabling or disabling DLL. The extended mode register is written by asserting low on CS, RAS, CAS, WE and high on BA0(The DDR SDRAM should be in all bank precharge with CKE already high prior to writing into the extended mode register). The state of address pins A0, A2 ~ A5, A7 ~ A11 and BA1 in the same cycle as CS, RAS, CAS and WE going low are written in the extended mode register. A1 and A6 are used for setting driver strength to normal, weak or matched impedance. Two clock cycles are required to complete the write operation in the extended mode register. The mode register contents can be changed using the same command and clock cycle requirements during operation as long as all banks are in the idle state. A0 is used for DLL enable or disable. "High" on BA0 is used for EMRS. All the other address pins except A0,A1,A6 and BA0 must be set to low for proper EMRS operation. Refer to the table for specific codes.



\*1 : RFU(Reserved for future use) should stay "0" during EMRS cycle.

**Figure 7. Extended Mode Register set**

**ABSOLUTE MAXIMUM RATINGS**

Parameter	Symbol	Value	Unit
Voltage on any pin relative to Vss	V <sub>IN</sub> , V <sub>OUT</sub>	-0.5 ~ 3.6	V
Voltage on VDD supply relative to Vss	V <sub>DD</sub>	-1.0 ~ 3.6	V
Voltage on VDD supply relative to Vss	V <sub>DDQ</sub>	-0.5 ~ 3.6	V
Storage temperature	T <sub>STG</sub>	-55 ~ +150	°C
Power dissipation	P <sub>D</sub>	3.3	W
Short circuit current	I <sub>OS</sub>	50	mA

**Note :** Permanent device damage may occur if ABSOLUTE MAXIMUM RATINGS are exceeded.  
Functional operation should be restricted to recommended operating condition.  
Exposure to higher than recommended voltage for extended periods of time could affect device reliability.

**POWER & DC OPERATING CONDITIONS(SSTL\_2 In/Out)**

Recommended operating conditions(Voltage referenced to Vss=0V, T<sub>A</sub>=0 to 65°C)

Parameter	Symbol	Min	Typ	Max	Unit	Note
Device Supply voltage	V <sub>DD</sub>	2.66	2.8	2.94	V	1, 8
		2.375	2.5	2.625	V	1, 9
Output Supply voltage	V <sub>DDQ</sub>	2.66	2.8	2.94	V	1, 8
		2.375	2.5	2.625	V	1, 9
Reference voltage	V <sub>REF</sub>	0.49*V <sub>DDQ</sub>	-	0.51*V <sub>DDQ</sub>	V	2
Termination voltage	V <sub>tt</sub>	V <sub>REF</sub> -0.04	V <sub>REF</sub>	V <sub>REF</sub> +0.04	V	3
Input logic high voltage	V <sub>IH(DC)</sub>	V <sub>REF</sub> +0.15	-	V <sub>DDQ</sub> +0.30	V	4
Input logic low voltage	V <sub>IL(DC)</sub>	-0.30	-	V <sub>REF</sub> -0.15	V	5
Output logic high voltage	V <sub>OH</sub>	V <sub>tt</sub> +0.76	-	-	V	I <sub>OH</sub> =-15.2mA, 7
Output logic low voltage	V <sub>OL</sub>	-	-	V <sub>tt</sub> -0.76	V	I <sub>OL</sub> =+15.2mA, 7
Input leakage current	I <sub>IL</sub>	-5	-	5	uA	6
Output leakage current	I <sub>OL</sub>	-5	-	5	uA	6

- Note :**
- Under all conditions V<sub>DDQ</sub> must be less than or equal to V<sub>DD</sub>.
  - V<sub>REF</sub> is expected to equal 0.50\*V<sub>DDQ</sub> of the transmitting device and to track variations in the DC level of the same. Peak to peak noise on the V<sub>REF</sub> may not exceed + 2% of the DC value.
  - V<sub>tt</sub> of the transmitting device must track V<sub>REF</sub> of the receiving device.
  - V<sub>IH(max.)</sub>= V<sub>DDQ</sub> +1.5V for a pulse width and it can not be greater than 1/3 of the cycle rate.
  - V<sub>IL(min.)</sub>= -1.5V for a pulse width and it can not be greater than 1/3 of the cycle rate.
  - For any pin under test input of 0V ≤ V<sub>IN</sub> ≤ V<sub>DD</sub> is acceptable. For all other pins that are not under test V<sub>IN</sub>=0V.
  - Output logic high voltage and low voltage is depend on output channel condition.
  - V<sub>DD</sub>/V<sub>DDQ</sub> = 2.8V ± 5% for K4D263238E-GC25
  - V<sub>DD</sub>/V<sub>DDQ</sub> = 2.5V ± 5% for K4D263238E-GC2A/33/36/40/45
  - 10 . K4D263238E-GC2A/33/36 support wide voltage range from 2.375V to 2.94V.**

**DC CHARACTERISTICS**

Recommended operating conditions Unless Otherwise Noted, TA=0 to 65°C)

Parameter	Symbol	Test Condition	Version						Unit	Note
			-25	-2A	-33	-36	-40	-45		
Operating Current (One Bank Active)	I <sub>CC1</sub>	Burst Length=2 t <sub>RC</sub> ≥ t <sub>RC</sub> (min) I <sub>OL</sub> =0mA, t <sub>CC</sub> = t <sub>CC</sub> (min)	530	455	400	375	350	350	mA	1
Precharge Standby Current in Power-down mode	I <sub>CC2P</sub>	CKE ≤ V <sub>IL</sub> (max), t <sub>CC</sub> = t <sub>CC</sub> (min)	110	95	80	80	75	70	mA	
Precharge Standby Current in Non Power-down mode	I <sub>CC2N</sub>	CKE ≥ V <sub>IH</sub> (min), CS ≥ V <sub>IH</sub> (min), t <sub>CC</sub> = t <sub>CC</sub> (min)	185	150	130	125	115	110	mA	
Active Standby Current power-down mode	I <sub>CC3P</sub>	CKE ≤ V <sub>IL</sub> (max), t <sub>CC</sub> = t <sub>CC</sub> (min)	200	160	140	130	120	120	mA	
Active Standby Current in Non Power-down mode	I <sub>CC3N</sub>	CKE ≥ V <sub>IH</sub> (min), CS ≥ V <sub>IH</sub> (min), t <sub>CC</sub> = t <sub>CC</sub> (min)	410	300	260	250	240	230	mA	
Operating Current (Burst Mode)	I <sub>CC4</sub>	I <sub>OL</sub> =0mA, t <sub>CC</sub> = t <sub>CC</sub> (min), Page Burst, All Banks activated.	1090	830	735	680	625	570	mA	
Refresh Current	I <sub>CC5</sub>	t <sub>RC</sub> ≥ t <sub>RFC</sub> (min)	415	350	310	310	300	290	mA	2
Self Refresh Current	I <sub>CC6</sub>	CKE ≤ 0.2V	3						mA	
Operating Current (4Bank interleaving)	I <sub>CC7</sub>	Burst Length=4 t <sub>RC</sub> ≥ t <sub>RC</sub> (min) I <sub>OL</sub> =0mA, t <sub>CC</sub> = t <sub>CC</sub> (min)	1210	935	830	770	710	655	mA	

**Note** : 1. Measured with outputs open.

2. Refresh period is 32ms.

**AC INPUT OPERATING CONDITIONS**Recommended operating conditions(Voltage referenced to V<sub>SS</sub>=0V, TA=0 to 65°C)

Parameter	Symbol	Min	Typ	Max	Unit	Note
Input High (Logic 1) Voltage ;DQ	V <sub>IH</sub>	V <sub>REF</sub> +0.35	-	-	V	
		V <sub>REF</sub> +0.4	-	-	V	3
Input Low (Logic 0) Voltage; DQ	V <sub>IL</sub>	-	-	V <sub>REF</sub> -0.35	V	
		-	-	V <sub>REF</sub> -0.4	V	3
Clock Input Differential Voltage; CK and $\overline{\text{CK}}$	V <sub>ID</sub>	0.7	-	V <sub>DDQ</sub> +0.6	V	1
		0.8	-	V <sub>DDQ</sub> +0.6	V	1, 3
Clock Input Crossing Point Voltage; CK and $\overline{\text{CK}}$	V <sub>IX</sub>	0.5*V <sub>DDQ</sub> -0.2	-	0.5*V <sub>DDQ</sub> +0.2	V	2

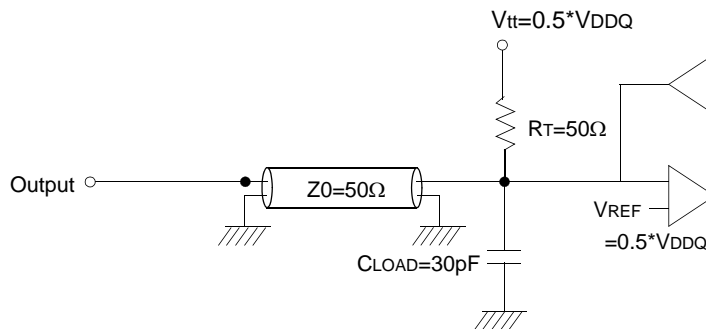
**Note** : 1. V<sub>ID</sub> is the magnitude of the difference between the input level on CK and the input level on  $\overline{\text{CK}}$ 2. The value of V<sub>IX</sub> is expected to equal 0.5\*V<sub>DDQ</sub> of the transmitting device and must track variations in the DC level of the same

3. 400MHz only

**AC OPERATING TEST CONDITIONS** (TA= 0 to 65°C)

Parameter	Value	Unit	Note
Input reference voltage for CK(for single ended)	0.50*VDDQ	V	1
CK and $\overline{CK}$ signal maximum peak swing	1.5	V	
CK signal minimum slew rate	1.0	V/ns	
Input Levels(VIH/VIL)	VREF+0.4/VREF-0.4	V	
Input timing measurement reference level	VREF	V	
Output timing measurement reference level	Vtt	V	
Output load condition	See Fig.1		

Note 1 : In case of differential clocks(CK and  $\overline{CK}$ ), input reference voltage for clock is a CK and  $\overline{CK}$  's crossing point  
Accordingly, clock duty should be measured at a CK and  $\overline{CK}$  's crossing point.



(Fig. 1) Output Load Circuit

**CAPACITANCE** (TA= 25°C, f=1MHz)

Parameter	Symbol	Min	Max	Unit
Input capacitance( CK, $\overline{CK}$ )	CIN1	1.0	5.0	pF
Input capacitance(A0~A11, BA0~BA1)	CIN2	1.0	4.0	pF
Input capacitance(CKE, $\overline{CS}$ , RAS, CAS, $\overline{WE}$ )	CIN3	1.0	4.0	pF
Data & DQS input/output capacitance(DQ0~DQ31)	COUT	1.0	6.5	pF
Input capacitance(DM0 ~ DM3)	CIN4	1.0	6.5	pF

**DECOUPLING CAPACITANCE GUIDE LINE**

Recommended decoupling capacitance added to power line at board.

Parameter	Symbol	Value	Unit
Decoupling Capacitance between VDD and Vss	CDC1	0.1 + 0.01	uF
Decoupling Capacitance between VDDQ and VSSQ	CDC2	0.1 + 0.01	uF

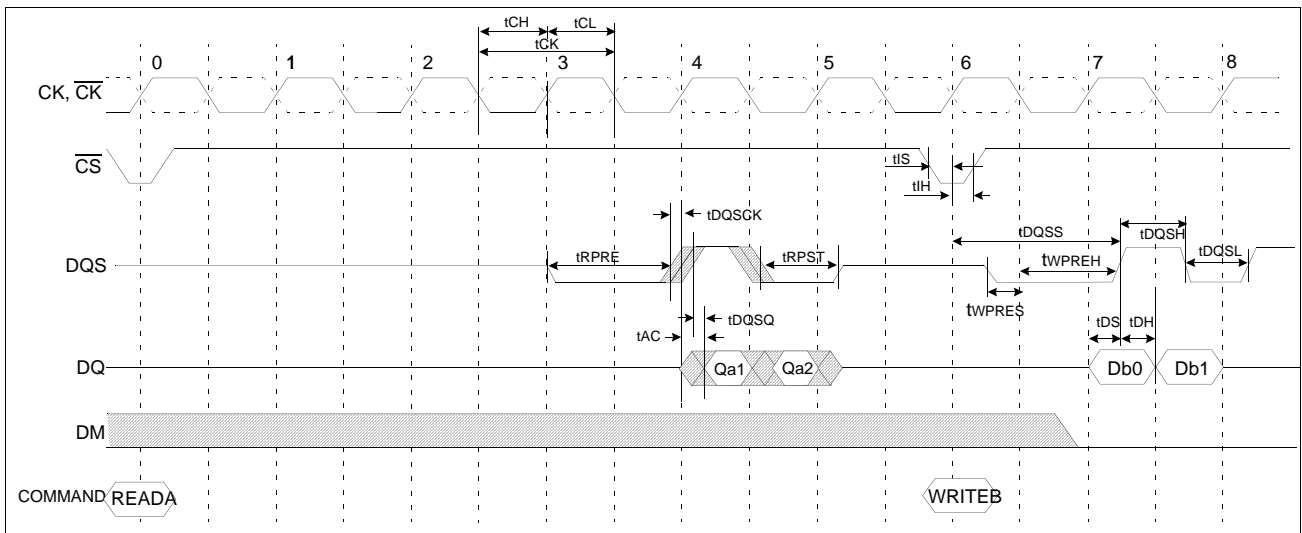
**Note** : 1. VDD and VDDQ pins are separated each other.  
All VDD pins are connected in chip. All VDDQ pins are connected in chip.  
2. Vss and VSSQ pins are separated each other  
All Vss pins are connected in chip. All VSSQ pins are connected in chip.

AC CHARACTERISTICS

Parameter	Symbol	-25		-2A		-33		-36		-40		-45		Unit	Note	
		Min	Max	Min	Max	Min	Max	Min	Max	Min	Max	Min	Max			
CK cycle time	t <sub>CK</sub>	CL=3	-	4	-	4	-	10	-	10	-	10	4.5	10	ns	
		CL=4	-	4	2.86	4	3.3	10	3.6	10	4.0	10	-	10	ns	
		CL=5	2.5	4	-	4	-	-	-	-	-	-	-	-	ns	
CK high level width	t <sub>CH</sub>	0.45	0.55	0.45	0.55	0.45	0.55	0.45	0.55	0.45	0.55	0.45	0.55	t <sub>CK</sub>		
CK low level width	t <sub>CL</sub>	0.45	0.55	0.45	0.55	0.45	0.55	0.45	0.55	0.45	0.55	0.45	0.55	t <sub>CK</sub>		
DQS out access time from CK	t <sub>DQSCK</sub>	-0.55	0.55	-0.55	0.55	-0.55	0.55	-0.6	0.6	-0.6	0.6	-0.7	0.7	ns		
Output access time from CK	t <sub>AC</sub>	-0.55	0.55	-0.55	0.55	-0.55	0.55	-0.6	0.6	-0.6	0.6	-0.7	0.7	ns		
Data strobe edge to Dout edge	t <sub>DQSQ</sub>	-	0.35	-	0.35	-	0.35	-	0.40	-	0.40	-	0.45	ns	1	
Read preamble	t <sub>RPRE</sub>	0.9	1.1	0.9	1.1	0.9	1.1	0.9	1.1	0.9	1.1	0.9	1.1	t <sub>CK</sub>		
Read postamble	t <sub>RPST</sub>	0.4	0.6	0.4	0.6	0.4	0.6	0.4	0.6	0.4	0.6	0.4	0.6	t <sub>CK</sub>		
CK to valid DQS-in	t <sub>DQSS</sub>	0.85	1.15	0.85	1.15	0.85	1.15	0.85	1.15	0.8	1.2	0.8	1.2	t <sub>CK</sub>		
DQS-In setup time	t <sub>WPRES</sub>	0	-	0	-	0	-	0	-	0	-	0	-	ns		
DQS-in hold time	t <sub>WPREH</sub>	0.35	-	0.35	-	0.35	-	0.35	-	0.35	-	0.3	-	t <sub>CK</sub>		
DQS write postamble	t <sub>WPST</sub>	0.4	0.6	0.4	0.6	0.4	0.6	0.4	0.6	0.4	0.6	0.4	0.6	t <sub>CK</sub>		
DQS-In high level width	t <sub>DQSH</sub>	0.45	0.55	0.45	0.55	0.45	0.55	0.45	0.55	0.45	0.55	0.45	0.55	t <sub>CK</sub>		
DQS-In low level width	t <sub>DQSL</sub>	0.45	0.55	0.45	0.55	0.45	0.55	0.45	0.55	0.45	0.55	0.45	0.55	t <sub>CK</sub>		
Address and Control input setup	t <sub>IS</sub>	0.8	-	0.8	-	0.8	-	0.9	-	0.9	-	1.0	-	ns		
Address and Control input hold	t <sub>IH</sub>	0.8	-	0.8	-	0.8	-	0.9	-	0.9	-	1.0	-	ns		
DQ and DM setup time to DQS	t <sub>DS</sub>	0.35	-	0.35	-	0.35	-	0.40	-	0.40	-	0.45	-	ns		
DQ and DM hold time to DQS	t <sub>DH</sub>	0.35	-	0.35	-	0.35	-	0.40	-	0.40	-	0.45	-	ns		
Clock half period	t <sub>HP</sub>	t <sub>CLmin</sub> or t <sub>CHmin</sub>	-	t <sub>CLmin</sub> or t <sub>CHmin</sub>	-	t <sub>CLmin</sub> or t <sub>CHmin</sub>	-	t <sub>CLmin</sub> or t <sub>CHmin</sub>	-	t <sub>CLmin</sub> or t <sub>CHmin</sub>	-	t <sub>CLmin</sub> or t <sub>CHmin</sub>	-	ns	1	
Data Hold skew factor	t <sub>QHS</sub>	-	0.4	-	0.4	-	0.4	-	0.45	-	0.45	-	0.5	ns		
Data output hold time from DQS	t <sub>QH</sub>	t <sub>HP</sub> - t <sub>QHS</sub>	-	t <sub>HP</sub> - t <sub>QHS</sub>	-	t <sub>HP</sub> - t <sub>QHS</sub>	-	t <sub>HP</sub> - t <sub>QHS</sub>	-	t <sub>HP</sub> - t <sub>QHS</sub>	-	t <sub>HP</sub> - t <sub>QHS</sub>	-	ns	1	
Jitter over 1-6 clock cycle error	t <sub>J</sub> <sup>*1</sup>	-	75	-	75	-	85	-	95	-	100	-	105	ps		
Cycle to cycle duty cycle error	t <sub>DCERR</sub>	-	75	-	75	-	85	-	95	-	100	-	105	ps		
Rise and fall times of CK	t <sub>R</sub> , t <sub>F</sub>	-	600	-	600	-	700	-	700	-	700	-	700	ps		

\*1. The cycle to cycle jitter over 1-6 cycle short term jitter.

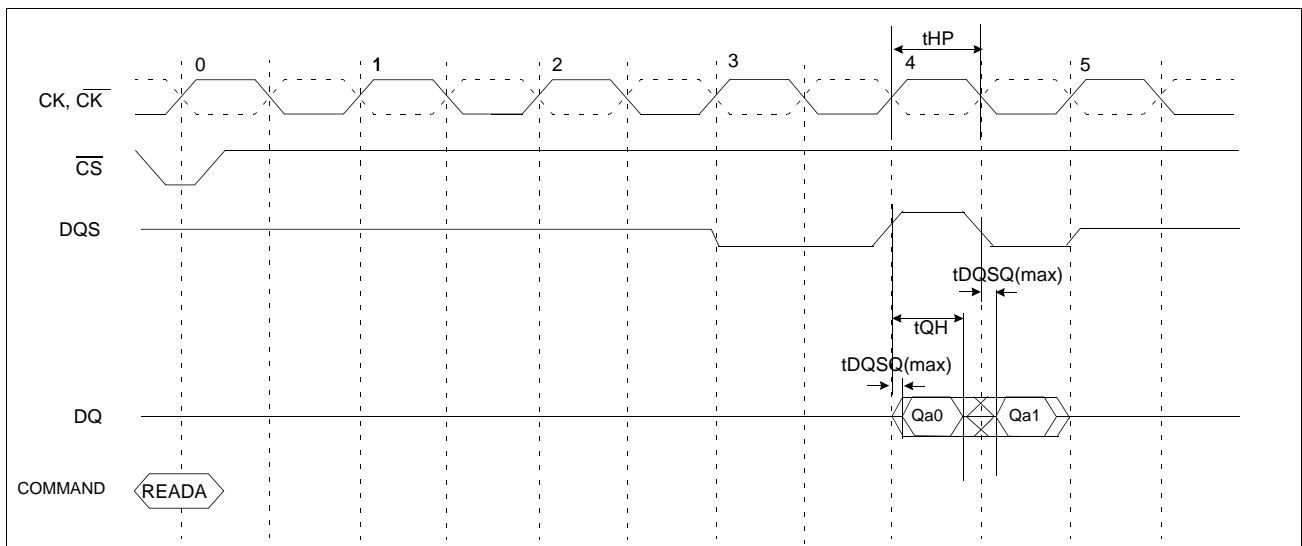
Simplified Timing @ BL=2, CL=4



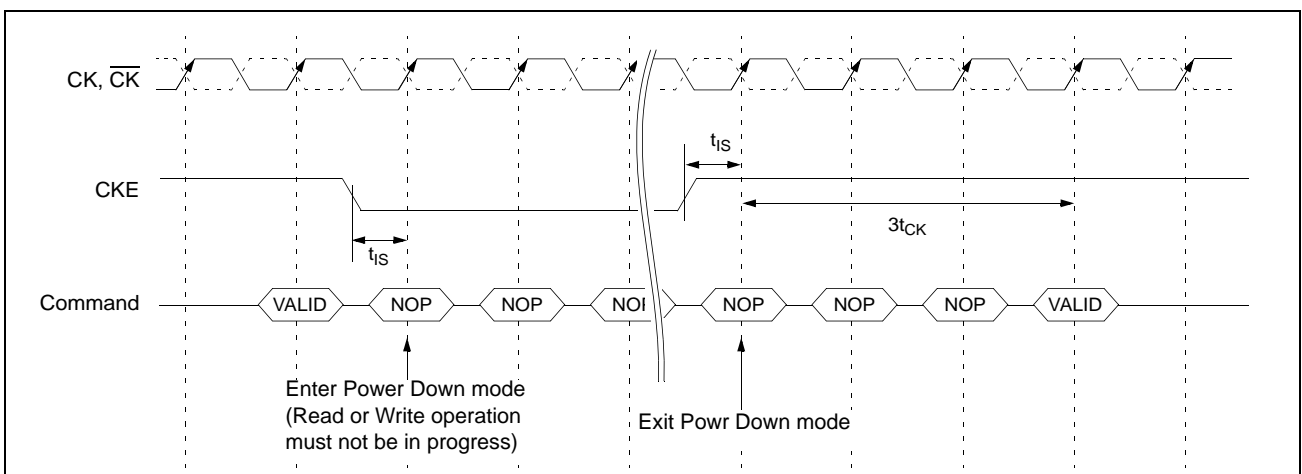
Note 1 :

- The JEDEC DDR specification currently defines the output data valid window( $t_{DV}$ ) as the time period when the data strobe and all data associated with that data strobe are coincidentally valid.
- The previously used definition of  $t_{DV}(=0.35t_{CK})$  artificially penalizes system timing budgets by assuming the worst case output valid window even then the clock duty cycle applied to the device is better than 45/55%
- A new AC timing term,  $t_{QH}$  which stands for data output hold time from DQS is defined to account for clock duty cycle variation and replaces  $t_{DV}$
- $t_{QHmin} = t_{HP}-X$  where
  - .  $t_{HP}$ =Minimum half clock period for any given cycle and is defined by clock high or clock low time( $t_{CH},t_{CL}$ )
  - .  $X$ =A frequency dependent timing allowance account for  $t_{DQSQmax}$

**$t_{QH}$  Timing (CL4, BL2)**



**Power Down Timing**



## AC CHARACTERISTICS (I)

Parameter	Symbol	-25		-2A		-33		-36		-40		-45		Unit	Note
		Min	Max	Min	Max	Min	Max	Min	Max	Min	Max	Min	Max		
Row cycle time	t <sub>RC</sub>	17	-	15	-	13	-	13	-	13	-	12	-	tCK	
Refresh row cycle time	t <sub>RFC</sub>	19	-	17	-	15	-	15	-	15	-	14	-	tCK	
Row active time	t <sub>RAS</sub>	12	100K	10	100K	9	100K	9	100K	9	100K	8	100K	tCK	
RAS to CAS delay for Read	t <sub>RCDRD</sub>	6	-	5	-	4	-	4	-	4	-	4	-	tCK	
RAS to CAS delay for Write	t <sub>RCDWR</sub>	4	-	3	-	2	-	2	-	2	-	2	-	tCK	
Row precharge time	t <sub>RP</sub>	5	-	5	-	4	-	4	-	4	-	4	-	tCK	
Row active to Row active	t <sub>RRD</sub>	4	-	4	-	3	-	3	-	3	-	3	-	tCK	
Last data in to Row precharge @Normal Precharge	t <sub>WR</sub>	3	-	3	-	3	-	3	-	3	-	3	-	tCK	1
Last data in to Row precharge @Auto Precharge	t <sub>WR_A</sub>	3	-	3	-	3	-	3	-	3	-	3	-	tCK	1
Last data in to Read command	t <sub>CDLR</sub>	2	-	2	-	2	-	2	-	2	-	2	-	tCK	1
Col. address to Col. address	t <sub>CCD</sub>	1	-	1	-	1	-	1	-	1	-	1	-	tCK	
Mode register set cycle time	t <sub>MRD</sub>	2	-	2	-	2	-	2	-	2	-	2	-	tCK	
Auto precharge write recovery + Precharge	t <sub>DAL</sub>	8	-	8	-	7	-	7	-	7	-	7	-	tCK	
Exit self refresh to read command	t <sub>XS</sub>	200	-	200	-	200	-	200	-	200	-	200	-	tCK	
Power down exit time	t <sub>PDEX</sub>	3tCK+ tIS	-	3tCK+ tIS	-	3tCK+ tIS	-	3tCK+ tIS	-	3tCK+ tIS	-	3tCK+ tIS	-	ns	
Refresh interval time	t <sub>REF</sub>	7.8	-	7.8	-	7.8	-	7.8	-	7.8	-	7.8	-	us	

Note : 1. For normal write operation, even numbers of Din are to be written inside DRAM

(Unit : Number of Clock)

## AC CHARACTERISTICS (II)

## K4D263238E-GC25

Frequency	Cas Latency	t <sub>RC</sub>	t <sub>RFC</sub>	t <sub>RAS</sub>	t <sub>RCDRD</sub>	t <sub>RCDWR</sub>	t <sub>RP</sub>	t <sub>RRD</sub>	t <sub>DAL</sub>	Unit
400MHz ( 2.5ns )	5	17	19	12	6	4	5	4	8	tCK

## K4D263238E-GC2A

Frequency	Cas Latency	t <sub>RC</sub>	t <sub>RFC</sub>	t <sub>RAS</sub>	t <sub>RCDRD</sub>	t <sub>RCDWR</sub>	t <sub>RP</sub>	t <sub>RRD</sub>	t <sub>DAL</sub>	Unit
350MHz ( 2.86ns )	4	15	17	10	5	3	5	4	8	tCK
300MHz ( 3.3ns )	4	13	15	9	4	2	4	3	7	tCK
275MHz ( 3.6ns )	4	13	15	9	4	2	4	3	7	tCK
250MHz ( 4.0ns )	4	13	15	9	4	2	4	3	7	tCK
222MHz ( 4.5ns )	3	12	14	8	4	2	4	3	7	tCK

## K4D263238E-GC33

Frequency	Cas Latency	t <sub>RC</sub>	t <sub>RFC</sub>	t <sub>RAS</sub>	t <sub>RCDRD</sub>	t <sub>RCDWR</sub>	t <sub>RP</sub>	t <sub>RRD</sub>	t <sub>DAL</sub>	Unit
300MHz ( 3.3ns )	4	13	15	9	4	2	4	3	7	tCK
275MHz ( 3.6ns )	4	13	15	9	4	2	4	3	7	tCK
250MHz ( 4.0ns )	4	13	15	9	4	2	4	3	7	tCK
222MHz ( 4.5ns )	3	12	14	8	4	2	4	3	7	tCK

# K4D263238E-GC

# 128M GDDR SDRAM

## K4D263238E-GC36

Frequency	Cas Latency	tRC	tRFC	tRAS	tRCDRD	tRCDWR	tRP	tRRD	tDAL	Unit
275MHz ( 3.6ns )	4	13	15	9	4	2	4	3	7	tCK
250MHz ( 4.0ns )	4	13	15	9	4	2	4	3	7	tCK
222MHz ( 4.5ns )	3	12	14	8	4	2	4	3	7	tCK

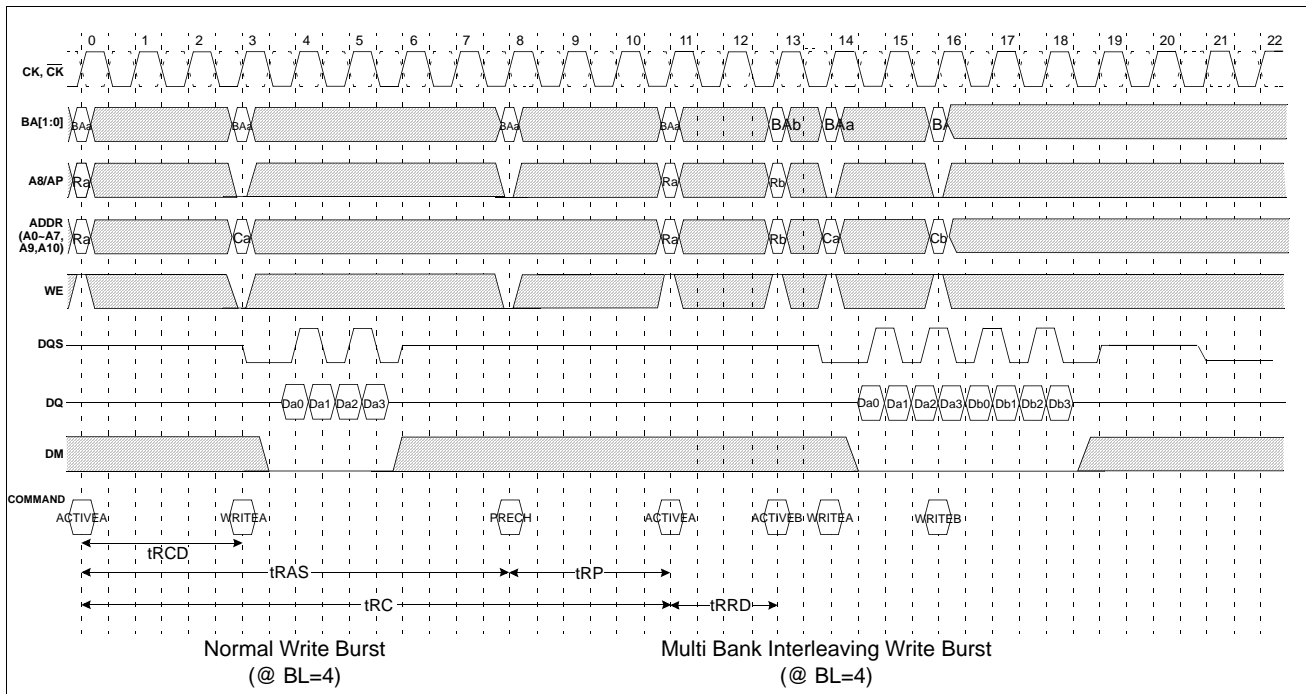
## K4D263238E-GC40

Frequency	Cas Latency	tRC	tRFC	tRAS	tRCDRD	tRCDWR	tRP	tRRD	tDAL	Unit
250MHz ( 4.0ns )	4	13	15	9	4	2	4	3	7	tCK
222MHz ( 4.5ns )	3	12	14	8	4	2	4	3	7	tCK

## K4D263238E-GC45

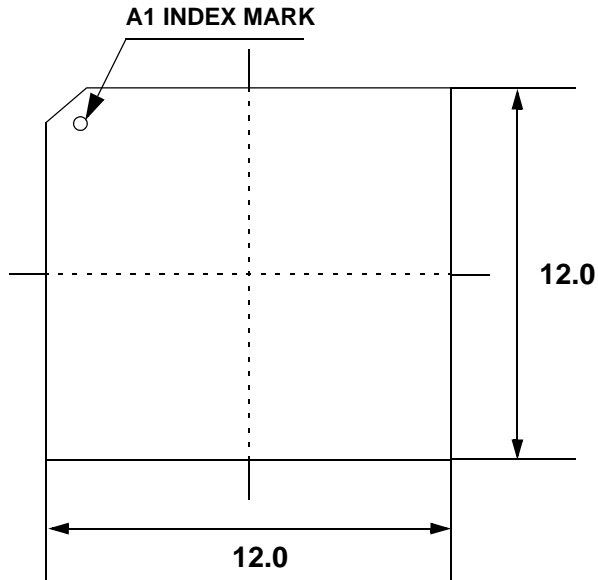
Frequency	Cas Latency	tRC	tRFC	tRAS	tRCDRD	tRCDWR	tRP	tRRD	tDAL	Unit
222MHz ( 4.5ns )	3	12	14	8	4	2	4	3	7	tCK

## Simplified Timing(2) @ BL=4

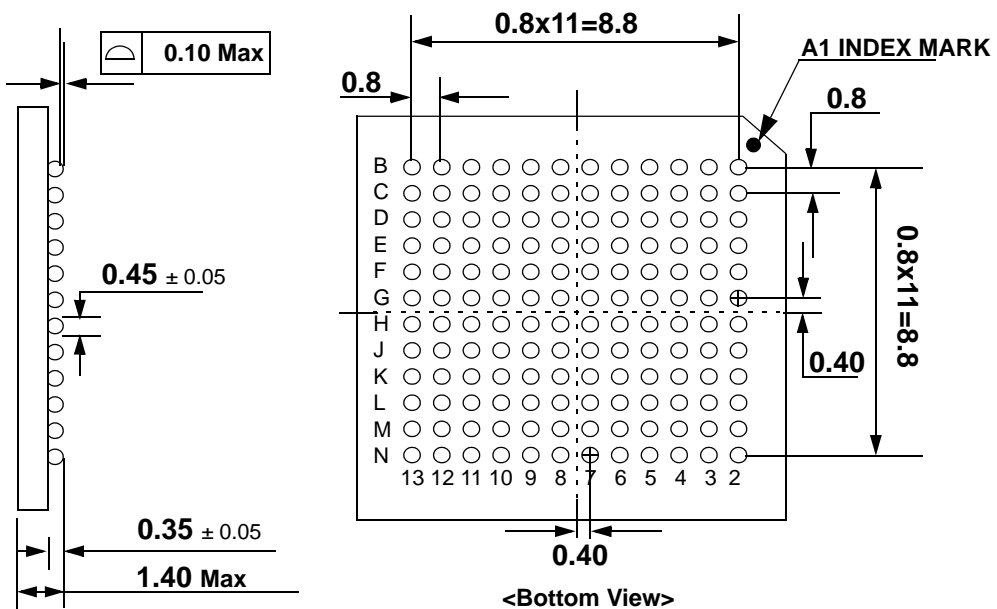




PACKAGE DIMENSIONS (144-Ball FBGA)



<Top View>



<Bottom View>

Unit : mm