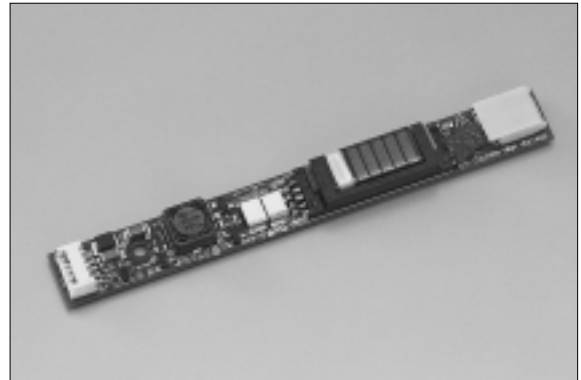
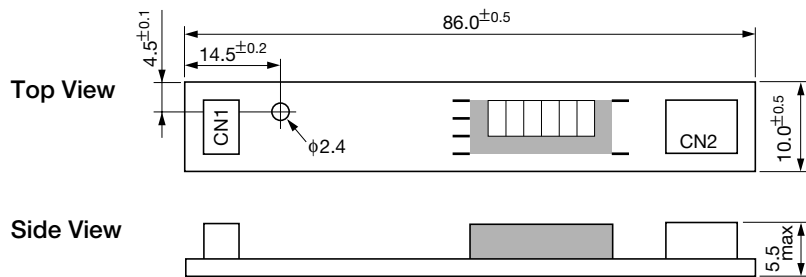


■ Features

- Built in On/Off control function
- It's possible to dim with external PWM signal, applying On/Off function.
- Applications: LCD size 7 to 8 inches for monitor
Suitable Sanken's CCFL: Lamp length 160 to 180 mm
: Exterior Diameter $\phi 1.8\text{mm}$



■ Outline



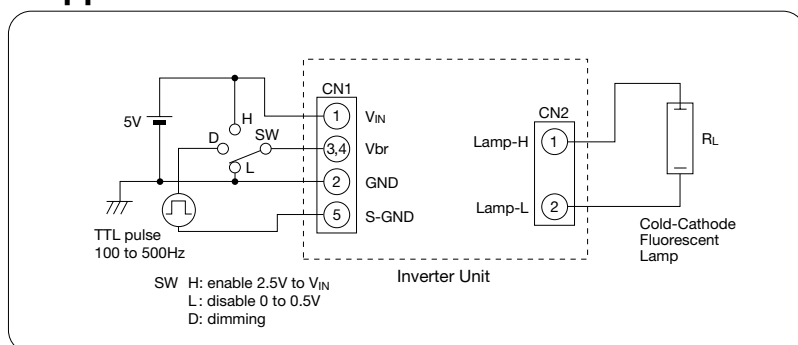
PWB (Printed wiring board): FR-4 or CEM-3 ($t=0.8$)
Weight: 5.3g typ

Unit : mm

■ Connector terminal number and Function

Connector No.	Terminal No.	Symbol	Function	Connector type name/Manufacturer
CN 1 (Input)	1	V_{IN}	DC input voltage	CHP2705-0101/SMK
	2	GND	Power GND	
	3, 4	Vbr	On-Off/dimming control	
	5	S-GND	Signal-GND	
CN 2 (Output)	1	Lamp-H	Output high side	SM02B-BHSS-TB/JST
	2	Lamp-L	Output low side	

Application



Absolute maximum ratings

Parameter	Symbol	Ratings	Unit	Remarks
DC input voltage	V_{IN}	0 to 8	V	
Control signal voltage	V_{br}	0 to 5.5	V	
Output power	P_L	2.3	W	
Operating temp.	T_{opr}	0 to 60	°C	
Storage temp.	T_{stg}	-20 to 80	°C	
Humidity	RH	95	%RH	Maximum wet-bulb temp. 38°C No dew condensation

Electrical characteristics

Conditions: at $T_{opr}=25^{\circ}\text{C}$, $V_{IN}=5\text{V}$ (unless otherwise stated)

Parameter	Symbol	Ratings			Unit	Remarks
		min	typ	max		
Input DC voltage	V_{IN}	4.75	5	5.25	V	
Input current	I_{IN}	—	—	700	mA	$V_{IN}=5\text{V}$
Driving frequency	f_{sw}	50	—	60	kHz	$R_L=90\text{k}\Omega$
Output current	I_L	—	4.7	—	mArms	$R_L=90\text{k}\Omega$
		—	5.0	—	mArms	$R_L=80\text{k}\Omega$
Dimming control frequency	f_{PWM}	100	—	500	Hz	External signal TTL
Output Power	P_L	—	2.0	—	W	$R_L=80\text{k}\Omega$
Open voltage	V_O	1000	1100	—	Vrms	$V_{IN}=4.75\text{V}$, $R_L=100\text{M}\Omega$