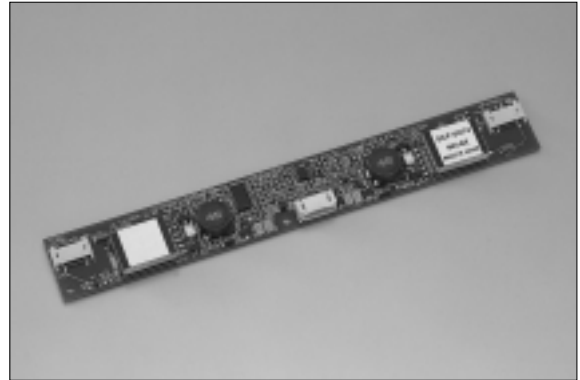


# CCFL - Inverter

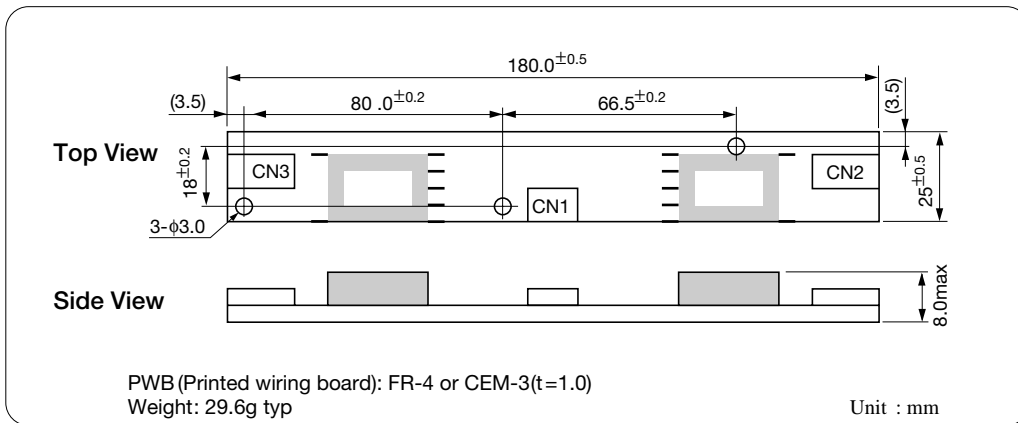
## SCF-O274 (For 4.7W x 2 Lamps)

### ■Features

- For CCFL 2 lamps
- Built in On/Off control function
- Regulated lamp current
- Built in PWM Mode dimming control circuit.
- Applications: LCD size 15 inches for monitor  
Suitable Sanken's CCFL: Lamp length 300 to 340 mm  
: Exterior Diameter φ2.6mm



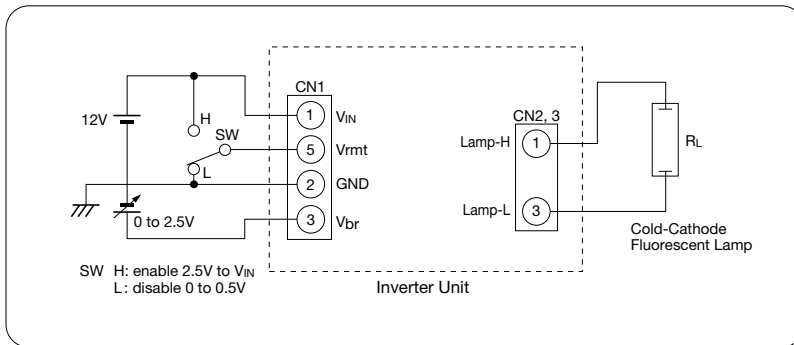
### ■Outline



### ■Connector terminal number and Function

Connector No.	Terminal No.	Symbol	Function	Connector type name/Manufacturer
CN 1 (Input)	1	V <sub>IN</sub>	DC input voltage	S5B-PH-SM3-TB/JST
	2	GND	GND	
	3	V <sub>br</sub>	Dimming control	
	4	N. C		
	5	V <sub>rmt</sub>	On-Off control	
CN 2 (Output 1)	1	Lamp 1-H	Output 1 high side	SM02(8.0)B-BHS-TB/JST
	3	Lamp 1-L	Output 1 low side	
CN 3 (Output 2)	1	Lamp 2-H	Output 2 high side	SM02(8.0)B-BHS-TB/JST
	3	Lamp 2-L	Output 2 low side	

## Application



## Absolute maximum ratings

Parameter	Symbol	Ratings	Unit	Remarks
DC input voltage	$V_{IN}$	0 to 14.4	V	
On-Off voltage	$V_{rmt}$	0 to 14.4	V	
Dimming voltage	$V_{br}$	0 to 3.0	V	
Output power	$P_L$	5.0	W	Per 1 lamp
Operating temp.	$T_{opr}$	0 to 60	°C	
Storage temp.	$T_{stg}$	-20 to 80	°C	
Humidity	RH	95	%RH	Maximum wet-bulb temp. 38°C No dew condensation

## Electrical characteristics

Conditions: at  $T_{opr}=25^{\circ}\text{C}$ ,  $V_{IN}=12\text{V}$  (unless otherwise stated)

Parameter	Symbol	Ratings			Unit	Remarks
		min	typ	max		
DC input voltage	$V_{IN}$	10.8	12	13.2	V	
Input current	$I_{IN}$	—	—	1500	mA	$V_{IN}=12\text{V}$
Driving frequency	$f_{sw}$	50	55	60	kHz	$R_L=73\text{k}\Omega$
Output current	$I_L$	—	8.0	—	mArms	Per 1 lamp $R_L=73\text{k}\Omega$ , $V_{br}=0\text{V}$
		—	2.5	—	mArms	Per 1 lamp $R_L=73\text{k}\Omega$ , $V_{br}=2.5\text{V}$
Dimming control frequency	$f_{PWM}$	240		300	Hz	
Output Power	$P_L$	—	4.7	—	W	$R_L=73\text{k}\Omega$
Open voltage	$V_o$	1500	—	—	Vrms	$V_{IN}=10.8\text{V}$ , $R_L=100\text{M}\Omega$

## Dimming characteristics

