

■Error Amplifier ICs (SE series)

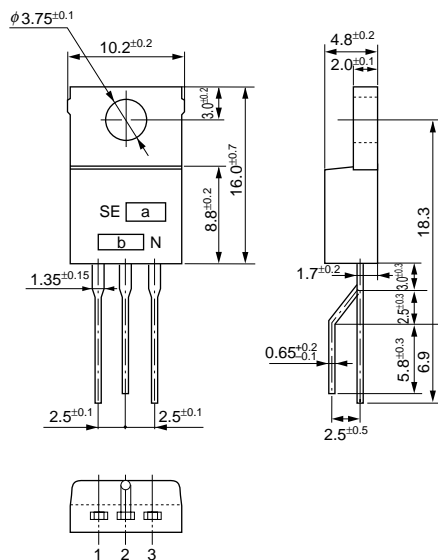
Part No.	Absolute Maximum Ratings (Ta=25°C)			Electrical Characteristics (Ta=25°C)	Remarks
	Collector-Ground Voltage	Collector Current	Operating Temperature TOP (°C)	Output Detection Voltage Vs (V)	
	V _{CGO} (V)	I _C (mA)			
SE005N	12	20	-20 to +125 (T _C)	5.0±0.1	Low Vs
012N	50			12.0±0.2	
015N				15.0±0.2	
024N				24.0±0.2	
034N				34.0±0.3	
040N				40.0±0.4	
070N				70.2±0.8	High Vs
080N	80.2±0.8				
090N	90.0±0.8				
105N	105.2±0.8				
110N	110.2±0.8				
115N	115.2±0.8				
120N	120.2±0.8				
125N	125.2±0.8				
130N	130.2±0.8				
135N	135.2±0.8				
140N	141.2±0.8				

■Variable Voltage Detection Type Error Amplifier ICs

Part No.	Absolute Maximum Ratings (Ta=25°C)			Electrical Characteristics (Ta=25°C)	Remarks
	Collector-Ground Voltage	Collector Current	Operating Temperature TOP (°C)	Output Detection Voltage Vs (V)	
	V _{CGO} (V)	I _C (mA)			
SE-B3	150	20	-20 to +125 (T _C)	141.2±0.6 Condition (I _{IN} =4mA, R _C =9.1kΩ R _S =88.7kΩ)	Variable voltage detection Gain adjustment possible

■External Dimensions

(unit: mm)



a. Part Number
b. Lot Number

Forming No.12