

### ■Error Amplifier ICs (SE series)

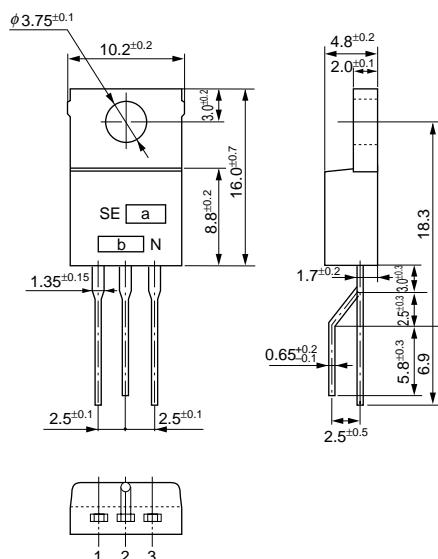
Part No.	Absolute Maximum Ratings (Ta=25°C)			Electrical Characteristics (Ta=25°C)	Remarks
	Collector-Ground Voltage V <sub>CGO</sub> (V)	Collector Current I <sub>c</sub> (mA)	Operating Temperature T <sub>OP</sub> (°C)	Output Detection Voltage V <sub>s</sub> (V)	
SE005N	12	20	-20 to +125 (T <sub>c</sub> )	5.0±0.1	Low V <sub>s</sub>
012N	50			12.0±0.2	
015N				15.0±0.2	
024N				24.0±0.2	
034N				34.0±0.3	
040N				40.0±0.4	
070N				150	70.2±0.8
080N	80.2±0.8				
090N	90.0±0.8				
105N	105.2±0.8				
110N	110.2±0.8				
115N	115.2±0.8				
120N	120.2±0.8				
125N	125.2±0.8				
130N	130.2±0.8				
135N	135.2±0.8				
140N	141.2±0.8				

### ■Variable Voltage Detection Type Error Amplifier ICs

Part No.	Absolute Maximum Ratings (Ta=25°C)			Electrical Characteristics (Ta=25°C)	Remarks
	Collector-Ground Voltage V <sub>CGO</sub> (V)	Collector Current I <sub>c</sub> (mA)	Operating Temperature T <sub>OP</sub> (°C)	Output Detection Voltage V <sub>s</sub> (V)	
SE-B3	150	20	-20 to +125 (T <sub>c</sub> )	141.2±0.6 Condition (I <sub>IN</sub> =4mA, R <sub>C</sub> =9.1kΩ R <sub>S</sub> =88.7kΩ)	Variable voltage detection Gain adjustment possible

### ■External Dimensions

(unit: mm)



a. Part Number  
b. Lot Number

Forming No.12