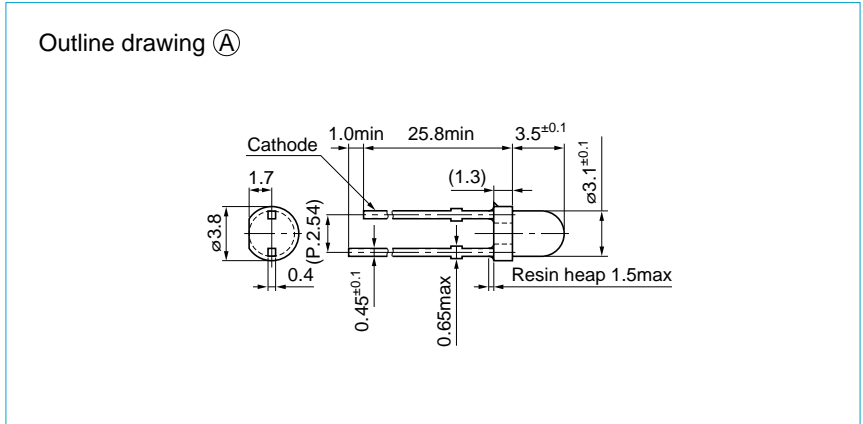


3ø round-type standard LEDs

SEL2010 series

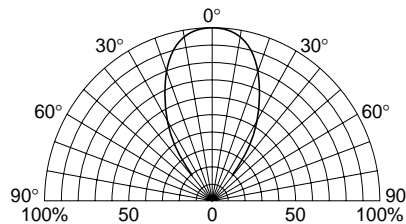


External dimensions: Unit: mm Tolerance: ±0.3

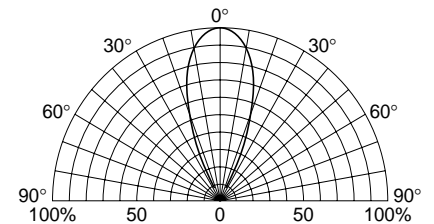
Absolute maximum ratings (Ta=25°C)

| Symbol | Unit | Ratings |
|-----------------|------|-------------|
| I _F | mA | 30 |
| I _{FP} | mA | 100 |
| V _R | V | 3 |
| Top | °C | -30 to +85 |
| Tstg | °C | -30 to +100 |

Viewing angle



Viewing angle of a diffused lens



Viewing angle of a non-diffused lens

| Type No. | Display form (ø: mm) | Type of lens | Emitting color | Electro-optical characteristics (Ta=25°C) | | | | | | | | Outline drawing | |
|----------|----------------------|----------------------------------|--------------------|---|-----|-------------------------------|---------------------|------------------------------|----------------------|-------------------------------|---------------------|-----------------|--------|
| | | | | V _F (V) | | Condition I _F (mA) | I _R (μA) | Condition V _R (V) | I _v (mcd) | | λ _p (nm) | | Δλ typ |
| | | | | typ | max | | | | typ | Condition I _F (mA) | | | |
| SEL2110R | ● 3.1 | Red tinted, diffused | Red | 2.0 | | | | | 1.1 | 10 | 700 | 100 | (A) |
| SEL2110S | ● 3.1 | Red tinted, non-diffused | | | | | | | 1.4 | | | | |
| SEL2110W | ● 3.1 | Un-tinted, diffused | | | | | | | 1.1 | | | | |
| SEL2210R | ● 3.1 | Light red tinted, diffused | High intensity red | 1.9 | | | | | 10.0 | 20 | 630 | 35 | |
| SEL2210S | ● 3.1 | Light red tinted, non-diffused | | | | | | | 20.0 | | | | |
| SEL2210W | ● 3.1 | Un-tinted, diffused | | | | | | | 10.0 | | | | |
| SEL2410G | ● 3.1 | Light green tinted, diffused | Green | 2.0 | 2.5 | 10 | 50 | 3 | 10.0 | 20 | 560 | 20 | |
| SEL2410E | ● 3.1 | Light green tinted, non-diffused | | | | | | | 20.0 | | | | |
| SEL2510C | ● 3.1 | Un-tinted, non-diffused | | | | | | | 25.0 | | | | |
| SEL2510G | ● 3.1 | Green tinted, diffused | Pure green | 2.0 | | | | | 3.7 | | 555 | | |
| SEL2710Y | ● 3.1 | Yellow tinted, diffused | | | | | | | 4.4 | | | | |
| SEL2710K | ● 3.1 | Yellow tinted, non-diffused | | | | | | | 20.0 | | | | |
| SEL2810D | ● 3.1 | Orange tinted, diffused | Amber | 1.9 | | | | | 6.0 | 10 | 610 | 35 | |
| SEL2810A | ● 3.1 | Orange tinted, non-diffused | | | | | | | 10.0 | | | | |
| SEL2910D | ● 3.1 | Orange tinted, diffused | | | | | | | 1.6 | | | | |
| SEL2910A | ● 3.1 | Orange tinted, non-diffused | Orange | | | | | | 8.0 | | 587 | 33 | |