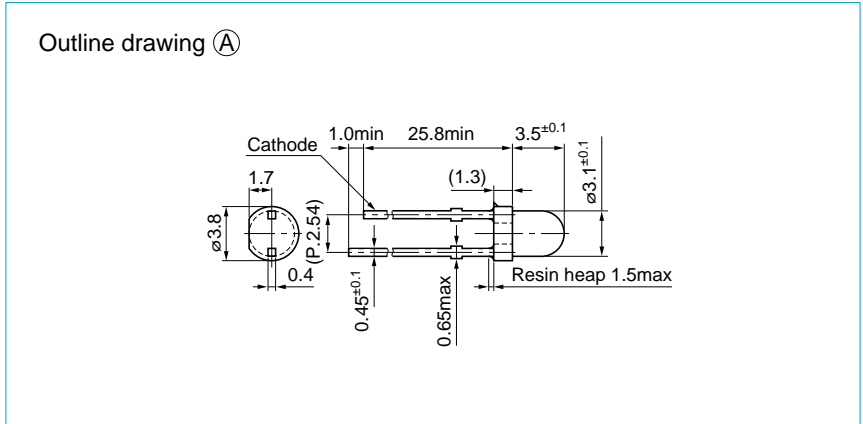


# 3ø round-type standard LEDs

## SEL2010 series

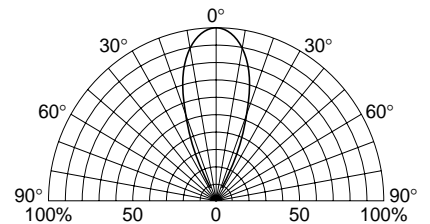
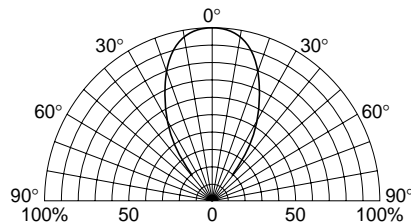


External dimensions: Unit: mm Tolerance: ±0.3

### Absolute maximum ratings (Ta=25°C)

Symbol	Unit	Ratings
I <sub>F</sub>	mA	30
I <sub>FP</sub>	mA	100
V <sub>R</sub>	V	3
Top	°C	-30 to +85
Tstg	°C	-30 to +100

### Viewing angle



Type No.	Display form (ø: mm)	Type of lens	Emitting color	Electro-optical characteristics (Ta=25°C)								Outline drawing	
				V <sub>F</sub> (V)		Condition I <sub>F</sub> (mA)	I <sub>R</sub> (μA)	Condition V <sub>R</sub> (V)	I <sub>v</sub> (mcd)		λ <sub>p</sub> (nm)		Δλ typ
				typ	max				typ	Condition I <sub>F</sub> (mA)			
SEL2110R	● 3.1	Red tinted, diffused	Red	2.0					1.1	10	700	100	(A)
SEL2110S	● 3.1	Red tinted, non-diffused							1.4				
SEL2110W	● 3.1	Un-tinted, diffused							1.1				
SEL2210R	● 3.1	Light red tinted, diffused	High intensity red	1.9					10.0	20	630	35	
SEL2210S	● 3.1	Light red tinted, non-diffused							20.0				
SEL2210W	● 3.1	Un-tinted, diffused							10.0				
SEL2410G	● 3.1	Light green tinted, diffused	Green		2.5	10	50	3	10.0		560	20	
SEL2410E	● 3.1	Light green tinted, non-diffused							20.0				
SEL2510C	● 3.1	Un-tinted, non-diffused							25.0				
SEL2510G	● 3.1	Green tinted, diffused	Pure green	2.0					3.7		555		
SEL2710Y	● 3.1	Yellow tinted, diffused							4.4				
SEL2710K	● 3.1	Yellow tinted, non-diffused							20.0				
SEL2810D	● 3.1	Orange tinted, diffused	Amber	1.9					6.0	10	610	35	
SEL2810A	● 3.1	Orange tinted, non-diffused							10.0				
SEL2910D	● 3.1	Orange tinted, diffused							1.6				
SEL2910A	● 3.1	Orange tinted, non-diffused	Orange						8.0		587	33	