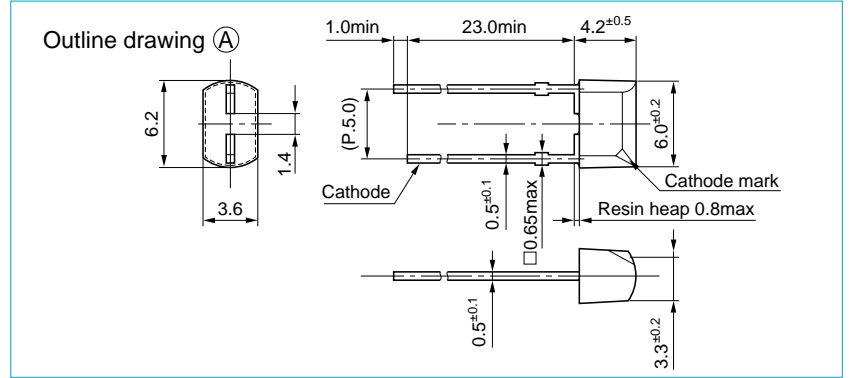
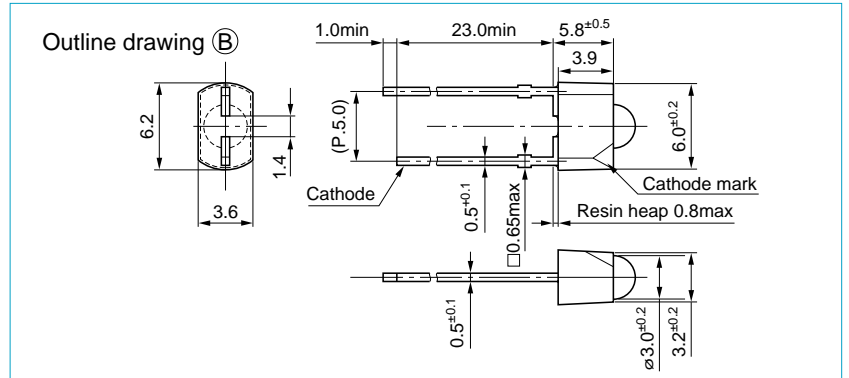


5-mm pitch lead contact mount LEDs (for automatic insertion)

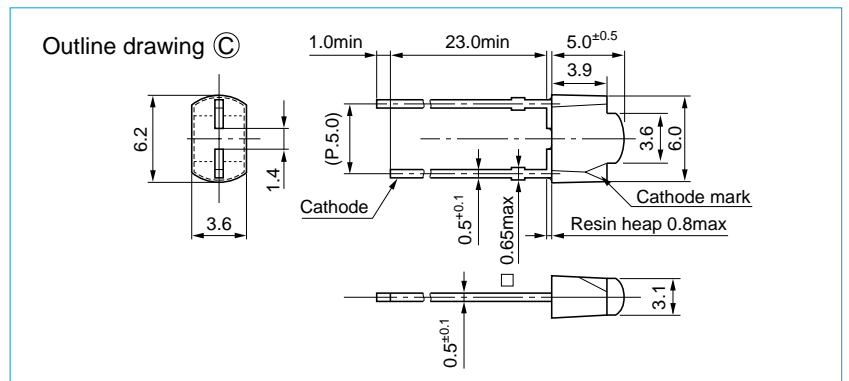
SEL5020 series (Flat type)



SEL5021 series (∅3 lens type)

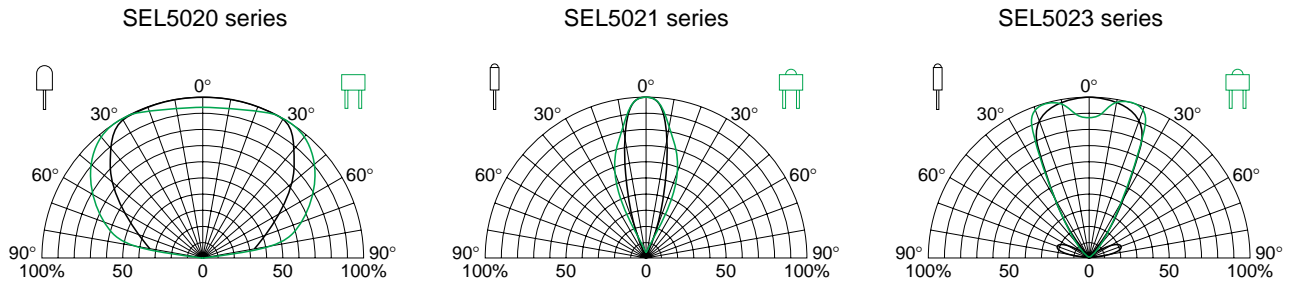


SEL5023 series (Bow-lens type)



External dimensions: Unit: mm Tolerance: ±0.3

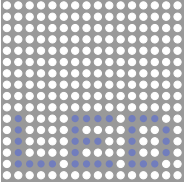
Viewing angle



Absolute maximum ratings (Ta=25°C)

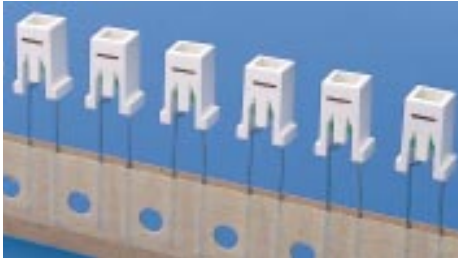
| Symbol | Unit | Ratings |
|-----------------|------|-------------|
| I _F | mA | 30 |
| I _{FP} | mA | 100 |
| V _R | V | 3 |
| Top | °C | -30 to +85 |
| Tstg | °C | -30 to +100 |

| Type No. | Display form (ϕ : mm) | Type of lens | Emitting color | Electro-optical characteristics (Ta=25°C) | | | | | | | | | Outline drawing |
|----------|--------------------------------|-----------------------------|--------------------|---|-----|-------------------------------|---------------------------|------------------------------|----------------------|-------------------------------|------------------|----------------------|-----------------|
| | | | | V _F (V) | | Condition I _F (mA) | I _R (μ A) | Condition V _R (V) | I _V (mcd) | | λ_p (nm) | $\Delta\lambda$ (nm) | |
| | | | | typ | max | | | | typ | Condition I _F (mA) | | | |
| SEL5220S | 3.3×6 | Red tinted, non-diffused | High intensity red | 1.9 | 2.5 | 10 | 50 | 3 | 2.8 | 20 | 630 | 35 | Ⓐ |
| SEL5420E | 3.3×6 | Green tinted, non-diffused | Green | 2.0 | | | | | 6.8 | | 560 | 20 | |
| SEL5520C | 3.3×6 | Un-tinted, non-diffused | Pure green | 1.9 | | | | | 2.4 | | 555 | 35 | |
| SEL5820A | 3.3×6 | Orange tinted, non-diffused | Amber | 1.9 | | | | | 6.0 | | 610 | 33 | |
| SEL5920A | 3.3×6 | Orange tinted, non-diffused | Orange | 1.9 | 4.4 | 587 | 33 | | | | | | |
| SEL5221S | ϕ 3 | Red tinted, non-diffused | High intensity red | 1.9 | 2.5 | 10 | 50 | 3 | 14 | 20 | 630 | 35 | Ⓑ |
| SEL5421E | ϕ 3 | Green tinted, non-diffused | Green | 2.0 | | | | | 36 | | 560 | 20 | |
| SEL5521C | ϕ 3 | Un-tinted, non-diffused | Pure green | 1.9 | | | | | 14 | | 555 | 35 | |
| SEL5821A | ϕ 3 | Orange tinted, non-diffused | Amber | 1.9 | | | | | 22 | | 610 | 33 | |
| SEL5921A | ϕ 3 | Orange tinted, non-diffused | Orange | 1.9 | 22 | 587 | 33 | | | | | | |
| SEL5223S | 3.1×3.6 | Red tinted, non-diffused | High intensity red | 1.9 | 2.5 | 10 | 50 | 3 | 6 | 20 | 630 | 35 | Ⓒ |
| SEL5423E | 3.1×3.6 | Green tinted, non-diffused | Green | 2.0 | | | | | 14 | | 560 | 20 | |
| SEL5823A | 3.1×3.6 | Orange tinted, non-diffused | Amber | 1.9 | | | | | 9 | | 610 | 35 | |
| SEL5923A | 3.1×3.6 | Orange tinted, non-diffused | Orange | 1.9 | | | | | 9 | | 587 | 33 | |

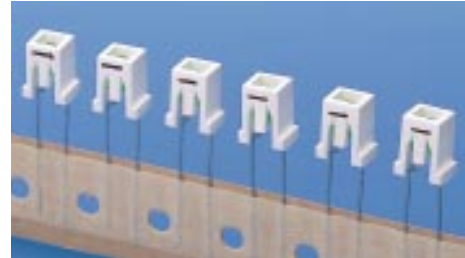


Taping of packaged LEDs with holder (for automatic insertion)

TH12E

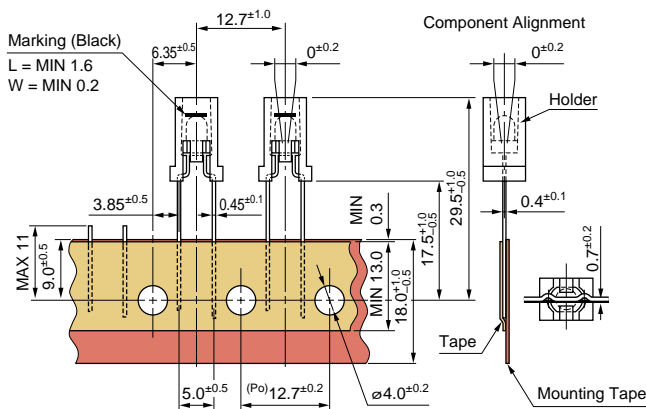


TH10D



Outline drawing (A)

TH12E

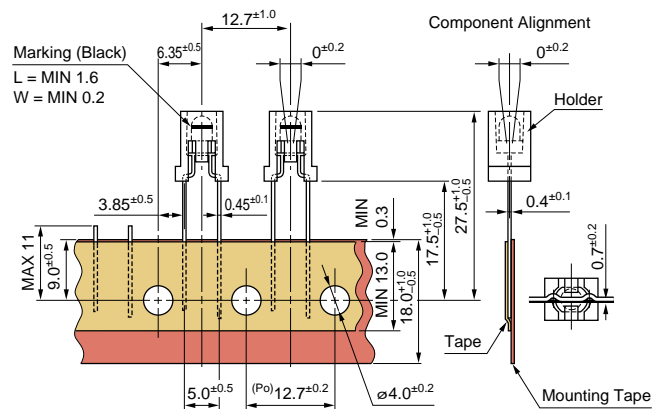


(Po): Cumulative pitch tolerance shall not exceed ± 1.0 mm over 20 consecutive pitches.

Tolerance: ± 0.3

Outline drawing (B)

TH10D



(Po): Cumulative pitch tolerance shall not exceed ± 1.0 mm over 20 consecutive pitches.

Tolerance: ± 0.3

External dimensions: Unit: mm Tolerance: ± 0.3

- Eliminates the cumbersome need to attach holders.
- Available in heights of 12 mm, 10 mm and 8 mm with a luminous area of 4.0 mm × 4.0 mm.
- Available in radial taping configuration with a lead pitch of 5 mm allowing mounting by inserters.

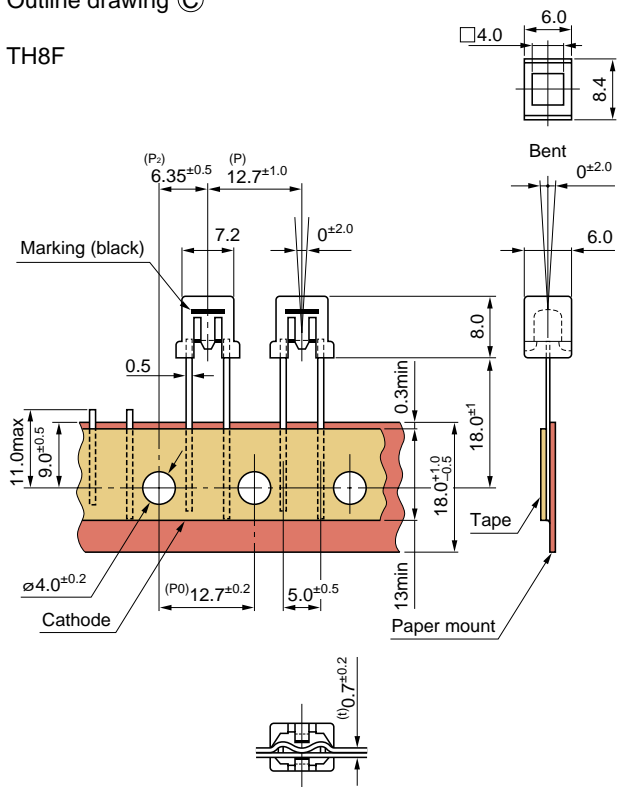
- Available in different colors.
- TH10D and TH12E are holders used for the SEL6010 series. TH8F is a holder used for the SEL5020 and SEL5021 series.

■TH8F



Outline drawing ©

TH8F



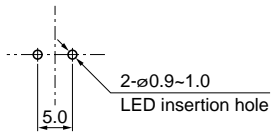
■External dimensions: Unit: mm Tolerance: ±0.3

Product list

| Type No. | Emitting color |
|----------------|--------------------|
| SEL6210S TH12E | High intensity red |
| SEL6410E TH12E | Green |
| SEL6510C TH12E | Pure green |
| SEL6710K TH12E | Yellow |
| SEL6810A TH12E | Amber |
| SEL6910A TH12E | Orange |
| SEL6210S TH10D | High intensity red |
| SEL6410E TH10D | Green |
| SEL6510C TH10D | Pure green |
| SEL6710K TH10D | Yellow |
| SEL6810A TH10D | Amber |
| SEL6910A TH10D | Orange |
| SEL5220S TH8F | High intensity red |
| SEL5420E TH8F | Green |
| SEL5520C TH8F | Pure green |
| SEL5820A TH8F | Amber |
| SEL5920A TH8F | Orange |
| SEL5221S TH8F | High intensity red |
| SEL5421E TH8F | Green |
| SEL5521C TH8F | Pure green |
| SEL5821A TH8F | Amber |
| SEL5921A TH8F | Orange |

Quantity per box: 1,200

Recommended dimensions of insertion holes on printed circuit boards (common)



(Po): The cumulative pitch error must be within ±1.0 for 2.0 pitches.