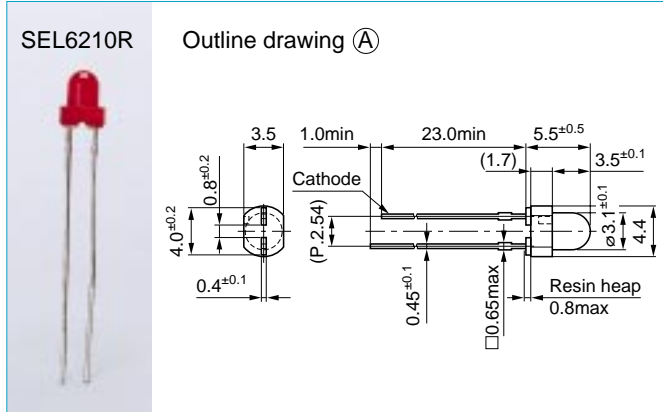
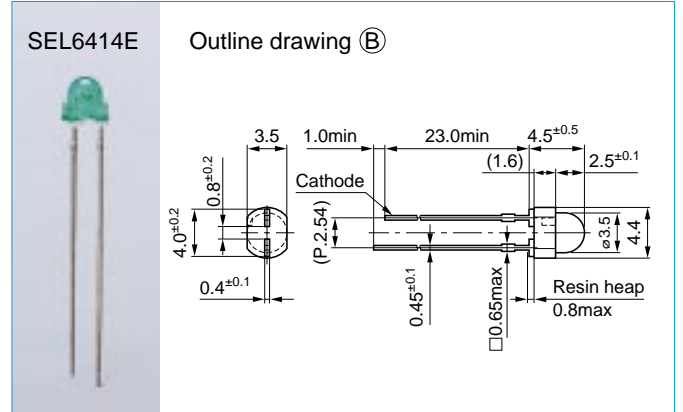


Round-type contact mount LEDs (for automatic insertion)

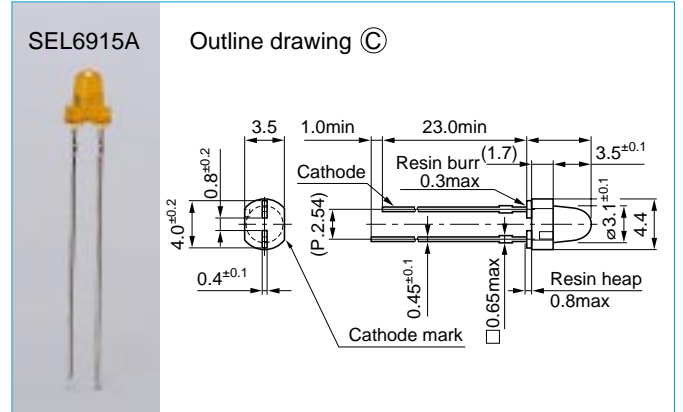
SEL6010 series (Standard type)



SEL6014 series (Wide viewing angle)



SEL6015 series (Narrow viewing angle)

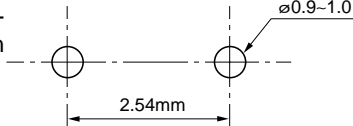


Absolute maximum ratings (Ta=25°C)

Symbol	Unit	Rated
I _F	mA	30
I _{FP}	mA	100
V _R	V	3
Top	°C	-30 to +85
Tstg	°C	-30 to +100

●SEL6000 series LEDs packaged on tapes can withstand shocks caused by insertion machines; Thus, they can be contact-mounted automatically on circuit boards.

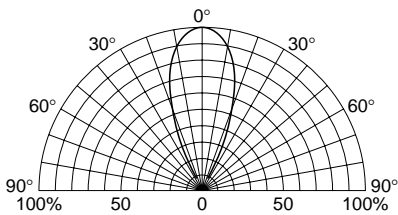
Recommended dimensions of insertion holes on printed circuit boards



■External dimensions: Unit: mm Tolerance: ±0.3

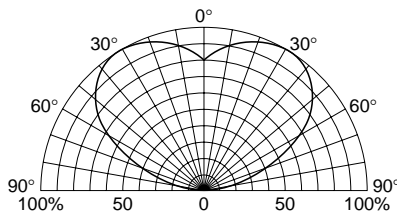
Viewing angle

SEL6010 series



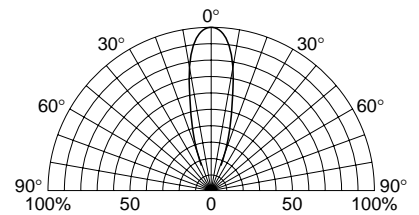
Viewing angle of a non-diffused lens

SEL6014 series

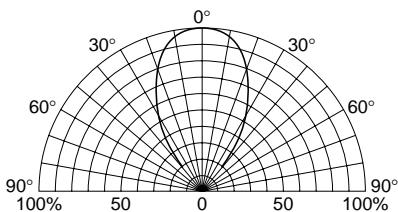


Viewing angle of a non-diffused lens

SEL6015 series



Viewing angle of a non-diffused lens



Viewing angle of a diffused lens

Type No.	Display form (\varnothing : mm)	Type of lens	Emitting color	Electro-optical characteristics (Ta=25°C)									Outline drawing					
				V _F (V)		Condition I _F (mA)	I _R (μ A)	Condition V _R (V)	I _V (mcd)	Condition I _F (mA)	λ_p (nm)	$\Delta\lambda$ (typ)						
				typ	max													
SEL6210R	●3.1	Red tinted, diffused	High intensity red	1.9	2.5	10	50	3	12	20	630	35	Ⓐ					
SEL6210S	●3.1	Red tinted, non-diffused												25				
SEL6410G	●3.1	Green tinted, diffused	Green	2.0	2.5	10	50	3	15	20	560	20		Ⓐ				
SEL6410E	●3.1	Green tinted, non-diffused													45			
SEL6510G	●3.1	Green tinted, diffused	Pure green	2.0	2.5	10	50	3	5	20	555	20			Ⓐ			
SEL6510C	●3.1	Un-tinted, non-diffused														16		
SEL6710Y	●3.1	Yellow tinted, diffused	Yellow	2.0	2.5	10	50	3	5	10	570	40				Ⓐ		
SEL6710K	●3.1	Yellow tinted, non-diffused															15	
SEL6810D	●3.1	Orange tinted, diffused	Amber	1.9	2.5	10	50	3	4	10	610	35					Ⓐ	
SEL6810A	●3.1	Orange tinted, non-diffused																10
SEL6910D	●3.1	Orange tinted, diffused	Orange	1.9	2.5	10	50	3	6.5	10	587	33						Ⓐ
SEL6910A	●3.1	Orange tinted, non-diffused																
SEL6214S	●3.5	Red tinted, non-diffused	High intensity red	1.9	2.5	10	50	3	10	20	630	35	Ⓑ					
SEL6414E	●3.5	Green tinted, non-diffused	Green	2.0														
SEL6514C	●3.5	Un-tinted, non-diffused	Pure green	2.0	6	10	5	5	610	35	587	33		Ⓑ				
SEL6814A	●3.5	Orange tinted, non-diffused	Amber	1.9	5													
SEL6914A	●3.5	Orange tinted, non-diffused	Orange	1.9	5													
SEL6215S	●3.1	Red tinted, non-diffused	High intensity red	1.9	2.5	10	50	3	30	20	630	35			Ⓒ			
SEL6415E	●3.1	Green tinted, non-diffused	Green	2.0									50					
SEL6515C	●3.1	Un-tinted, non-diffused	Pure green	2.0	18	10	30	18	555	610	35	Ⓒ						
SEL6815A	●3.1	Orange tinted, non-diffused	Amber	1.9	30													
SEL6915A	●3.1	Orange tinted, non-diffused	Orange	1.9	40	10	30	40	587	33	Ⓒ							
SEL6915A	●3.1	Orange tinted, non-diffused	Orange	1.9	40													

■Using contact mount LEDs packaged on tapes

1. Printed circuit board
 - One-side printed circuit board is recommended.
 - If there are several SMD parts on the same printed circuit board, insert the LEDs after the adhesive for other SMD parts hardened.
2. Insertion conditions
 - Use low insertion pusher pressure, as much as possible.
 - Cut and clinch: Panasert T pattern is recommended.
For N pattern, make the clinching angle of the LED's anode as small as possible.
3. Soldering conditions
 - Preheating must be less than 90°C (temperature on printed circuit board's bottom surface) for no more than two minutes
 - Solder dipping must be made at a temperature of 250°C for no more than 3 seconds.

