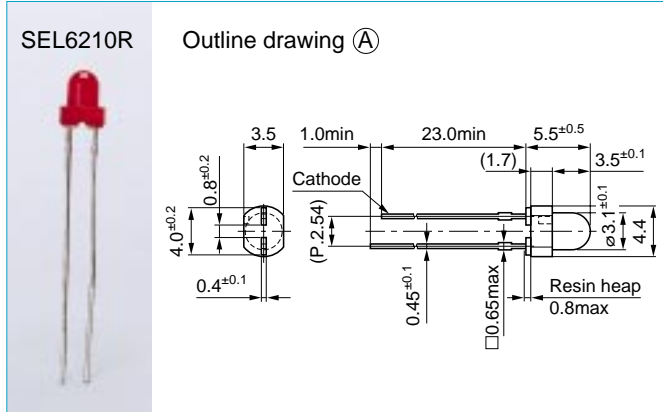
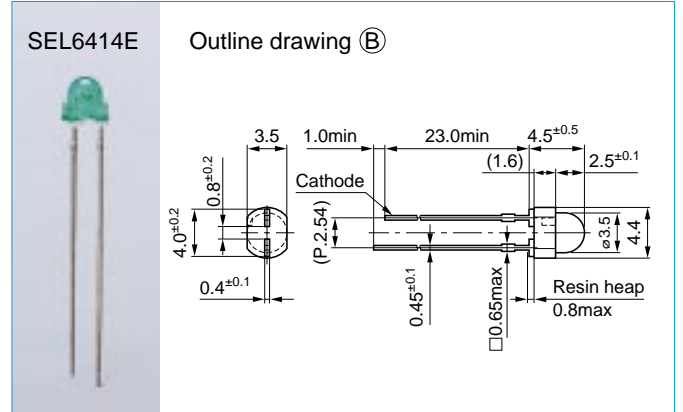


Round-type contact mount LEDs (for automatic insertion)

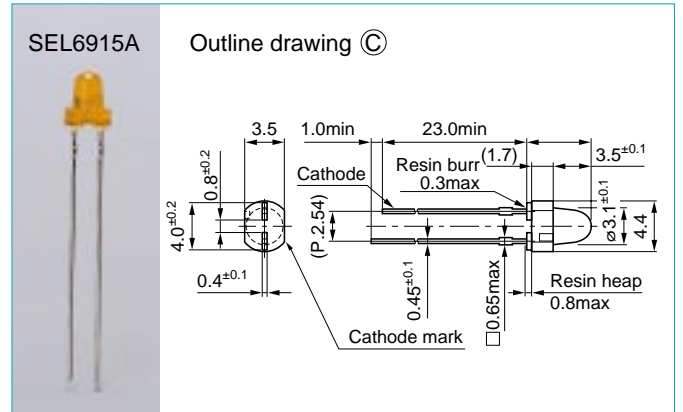
SEL6010 series (Standard type)



SEL6014 series (Wide viewing angle)



SEL6015 series (Narrow viewing angle)

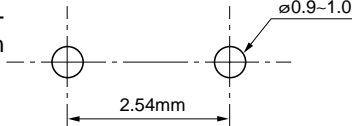


Absolute maximum ratings (Ta=25°C)

Symbol	Unit	Rated
I _F	mA	30
I _{FP}	mA	100
V _R	V	3
Top	°C	-30 to +85
Tstg	°C	-30 to +100

SEL6000 series LEDs packaged on tapes can withstand shocks caused by insertion machines; Thus, they can be contact-mounted automatically on circuit boards.

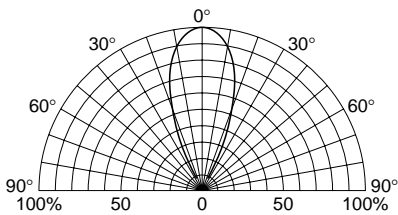
Recommended dimensions of insertion holes on printed circuit boards



External dimensions: Unit: mm Tolerance: ±0.3

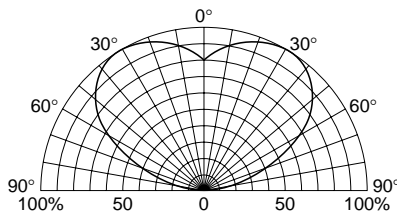
Viewing angle

SEL6010 series



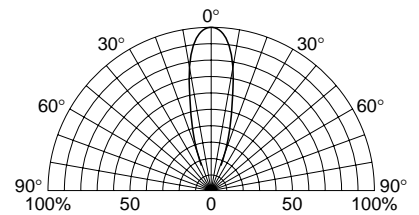
Viewing angle of a non-diffused lens

SEL6014 series

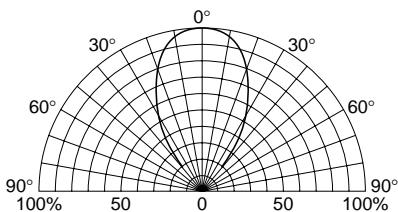


Viewing angle of a non-diffused lens

SEL6015 series



Viewing angle of a non-diffused lens



Viewing angle of a diffused lens

Type No.	Display form (\varnothing : mm)	Type of lens	Emitting color	Electro-optical characteristics (Ta=25°C)									Outline drawing					
				V _F (V)		Condition I _F (mA)	I _R (μ A)	Condition V _R (V)	I _V (mcd)	Condition I _F (mA)	λ_p (nm)	$\Delta\lambda$ (nm)						
				typ	max													
SEL6210R	●3.1	Red tinted, diffused	High intensity red	1.9	2.5	10	50	3	12	20	630	35	Ⓐ					
SEL6210S	●3.1	Red tinted, non-diffused							25									
SEL6410G	●3.1	Green tinted, diffused	Green	2.0	2.5	10	50	3	15	20	560	20		Ⓐ				
SEL6410E	●3.1	Green tinted, non-diffused							45									
SEL6510G	●3.1	Green tinted, diffused	Pure green	2.0	2.5	10	50	3	5	20	555	20			Ⓐ			
SEL6510C	●3.1	Un-tinted, non-diffused							16									
SEL6710Y	●3.1	Yellow tinted, diffused	Yellow	2.0	2.5	10	50	3	5	10	570	40				Ⓐ		
SEL6710K	●3.1	Yellow tinted, non-diffused							15									
SEL6810D	●3.1	Orange tinted, diffused	Amber	1.9	2.5	10	50	3	4	10	610	35					Ⓐ	
SEL6810A	●3.1	Orange tinted, non-diffused							10									
SEL6910D	●3.1	Orange tinted, diffused	Orange	1.9	2.5	10	50	3	6.5	10	587	33						Ⓐ
SEL6910A	●3.1	Orange tinted, non-diffused							14									
SEL6214S	●3.5	Red tinted, non-diffused	High intensity red	1.9	2.5	10	50	3	10	20	630	35	Ⓑ					
SEL6414E	●3.5	Green tinted, non-diffused	Green	2.0					12		560	20						
SEL6514C	●3.5	Un-tinted, non-diffused	Pure green	2.0	6	555	20	10	610	35	33	Ⓑ						
SEL6814A	●3.5	Orange tinted, non-diffused	Amber	1.9	5	587	33											
SEL6914A	●3.5	Orange tinted, non-diffused	Orange	1.9	5	587	33											
SEL6215S	●3.1	Red tinted, non-diffused	High intensity red	1.9	30	630	35							20	610			
SEL6415E	●3.1	Green tinted, non-diffused	Green	2.0	50	560	20											
SEL6515C	●3.1	Un-tinted, non-diffused	Pure green	2.0	18	555	20											
SEL6815A	●3.1	Orange tinted, non-diffused	Amber	1.9	30	610	35											
SEL6915A	●3.1	Orange tinted, non-diffused	Orange	1.9	40	587	33											
SEL6915A	●3.1	Orange tinted, non-diffused	Orange	1.9	40	587	33											

■Using contact mount LEDs packaged on tapes

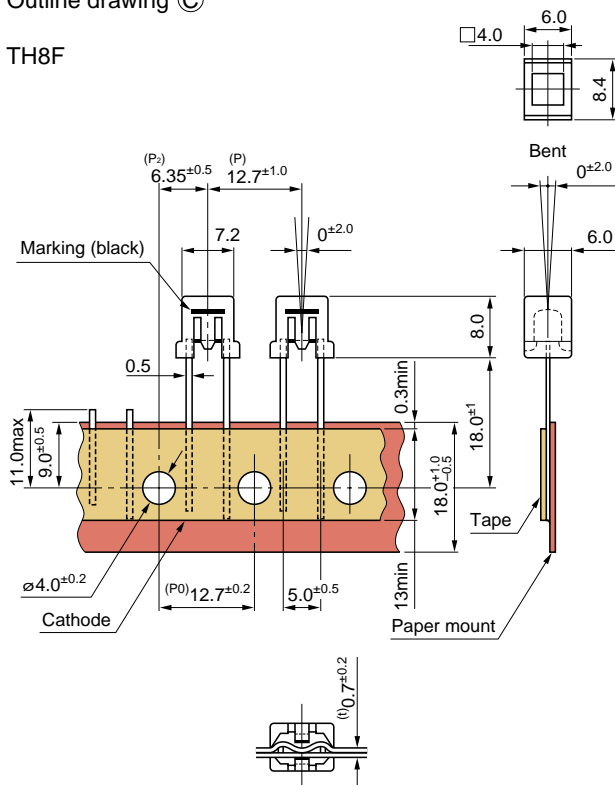
1. Printed circuit board
 - One-side printed circuit board is recommended.
 - If there are several SMD parts on the same printed circuit board, insert the LEDs after the adhesive for other SMD parts hardened.
2. Insertion conditions
 - Use low insertion pusher pressure, as much as possible.
 - Cut and clinch: Panasert T pattern is recommended.
For N pattern, make the clinching angle of the LED's anode as small as possible.
3. Soldering conditions
 - Preheating must be less than 90°C (temperature on printed circuit board's bottom surface) for no more than two minutes
 - Solder dipping must be made at a temperature of 250°C for no more than 3 seconds.

■TH8F



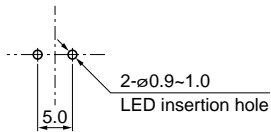
Outline drawing ©

TH8F



■External dimensions: Unit: mm Tolerance: ±0.3

Recommended dimensions of insertion holes on printed circuit boards (common)



(P₀): The cumulative pitch error must be within ±1.0 for 2.0 pitches.

Product list

Type No.	Emitting color
SEL6210S TH12E	High intensity red
SEL6410E TH12E	Green
SEL6510C TH12E	Pure green
SEL6710K TH12E	Yellow
SEL6810A TH12E	Amber
SEL6910A TH12E	Orange
SEL6210S TH10D	High intensity red
SEL6410E TH10D	Green
SEL6510C TH10D	Pure green
SEL6710K TH10D	Yellow
SEL6810A TH10D	Amber
SEL6910A TH10D	Orange
SEL5220S TH8F	High intensity red
SEL5420E TH8F	Green
SEL5520C TH8F	Pure green
SEL5820A TH8F	Amber
SEL5920A TH8F	Orange
SEL5221S TH8F	High intensity red
SEL5421E TH8F	Green
SEL5521C TH8F	Pure green
SEL5821A TH8F	Amber
SEL5921A TH8F	Orange

Quantity per box: 1,200