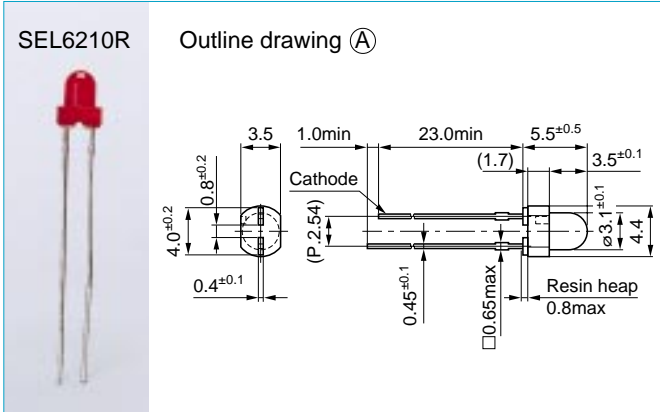
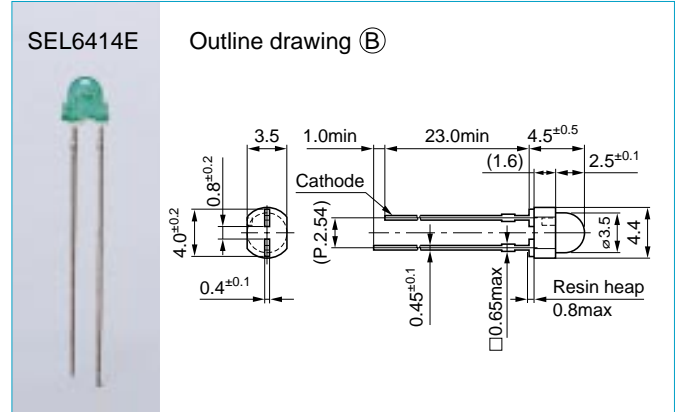


Round-type contact mount LEDs (for automatic insertion)

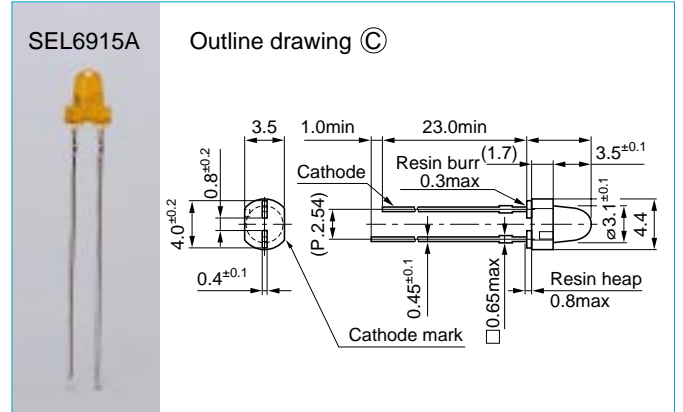
SEL6010 series (Standard type)



SEL6014 series (Wide viewing angle)



SEL6015 series (Narrow viewing angle)

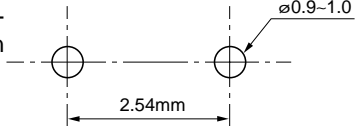


Absolute maximum ratings (Ta=25°C)

Symbol	Unit	Rated
I _F	mA	30
I _{FP}	mA	100
V _R	V	3
Top	°C	-30 to +85
Tstg	°C	-30 to +100

SEL6000 series LEDs packaged on tapes can withstand shocks caused by insertion machines; Thus, they can be contact-mounted automatically on circuit boards.

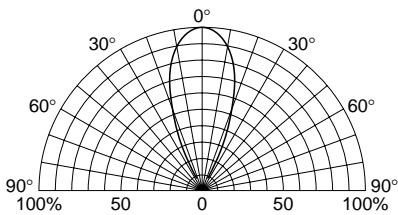
Recommended dimensions of insertion holes on printed circuit boards



External dimensions: Unit: mm Tolerance: ±0.3

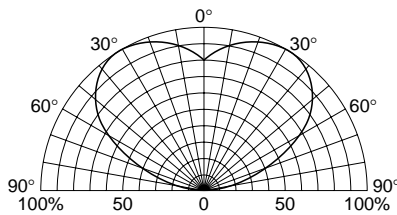
Viewing angle

SEL6010 series



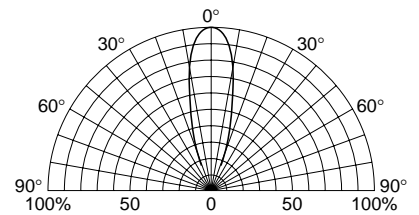
Viewing angle of a non-diffused lens

SEL6014 series

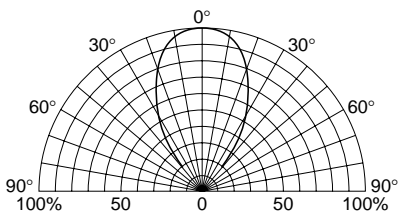


Viewing angle of a non-diffused lens

SEL6015 series



Viewing angle of a non-diffused lens

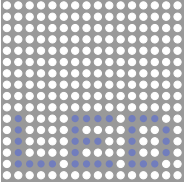


Viewing angle of a diffused lens

Type No.	Display form (\varnothing : mm)	Type of lens	Emitting color	Electro-optical characteristics (Ta=25°C)									Outline drawing	
				V _F (V)		Condition I _F (mA)	I _R (μ A)	Condition V _R (V)	I _V (mcd)	Condition I _F (mA)	λ_p (nm)	$\Delta\lambda$ (typ)		
				typ	max									
SEL6210R	●3.1	Red tinted, diffused	High intensity red	1.9						12	20	630	35	Ⓐ
SEL6210S	●3.1	Red tinted, non-diffused												
SEL6410G	●3.1	Green tinted, diffused	Green	2.0						15	20	560	20	
SEL6410E	●3.1	Green tinted, non-diffused												
SEL6510G	●3.1	Green tinted, diffused	Pure green	2.0						5	20	555	20	
SEL6510C	●3.1	Un-tinted, non-diffused												
SEL6710Y	●3.1	Yellow tinted, diffused	Yellow	2.0						5	10	570	40	
SEL6710K	●3.1	Yellow tinted, non-diffused												
SEL6810D	●3.1	Orange tinted, diffused	Amber	1.9						4	10	610	35	
SEL6810A	●3.1	Orange tinted, non-diffused												
SEL6910D	●3.1	Orange tinted, diffused	Orange	1.9						6.5	10	587	33	
SEL6910A	●3.1	Orange tinted, non-diffused												
SEL6214S	●3.5	Red tinted, non-diffused	High intensity red	1.9	2.5	10	50	3		10	20	630	35	Ⓑ
SEL6414E	●3.5	Green tinted, non-diffused	Green	2.0										
SEL6514C	●3.5	Un-tinted, non-diffused	Pure green	2.0	6									
SEL6814A	●3.5	Orange tinted, non-diffused	Amber	1.9	5	10	610	35						
SEL6914A	●3.5	Orange tinted, non-diffused	Orange	1.9	5	10	587	33						
SEL6215S	●3.1	Red tinted, non-diffused	High intensity red	1.9	2.5	10	50	3		30	20	630	35	Ⓒ
SEL6415E	●3.1	Green tinted, non-diffused	Green	2.0										
SEL6515C	●3.1	Un-tinted, non-diffused	Pure green	2.0	18	20	555	20						
SEL6815A	●3.1	Orange tinted, non-diffused	Amber	1.9	30	20	610	35						
SEL6915A	●3.1	Orange tinted, non-diffused	Orange	1.9	40	20	587	33						

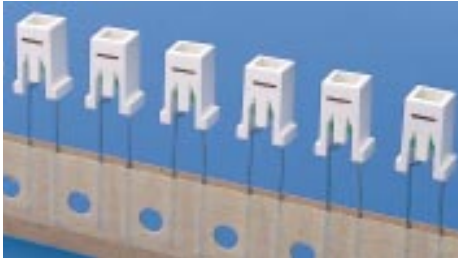
■Using contact mount LEDs packaged on tapes

1. Printed circuit board
 - One-side printed circuit board is recommended.
 - If there are several SMD parts on the same printed circuit board, insert the LEDs after the adhesive for other SMD parts hardened.
2. Insertion conditions
 - Use low insertion pusher pressure, as much as possible.
 - Cut and clinch: Panasert T pattern is recommended.
For N pattern, make the clinching angle of the LED's anode as small as possible.
3. Soldering conditions
 - Preheating must be less than 90°C (temperature on printed circuit board's bottom surface) for no more than two minutes
 - Solder dipping must be made at a temperature of 250°C for no more than 3 seconds.



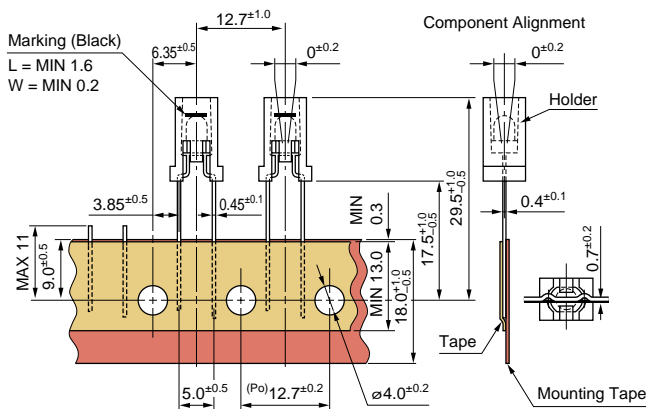
Taping of packaged LEDs with holder (for automatic insertion)

TH12E



Outline drawing (A)

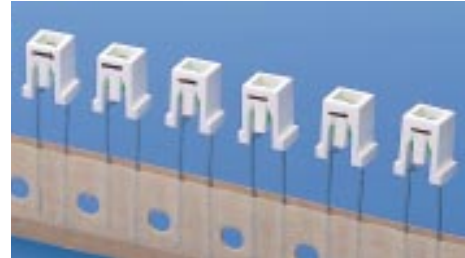
TH12E



(Po): Cumulative pitch tolerance shall not exceed ± 1.0 mm over 20 consecutive pitches.

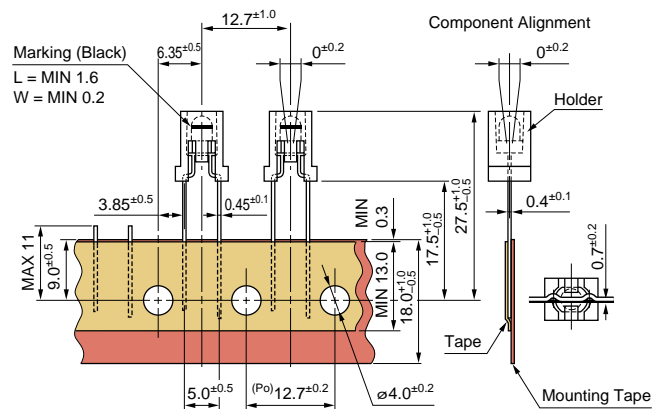
Tolerance: ± 0.3

TH10D



Outline drawing (B)

TH10D



(Po): Cumulative pitch tolerance shall not exceed ± 1.0 mm over 20 consecutive pitches.

Tolerance: ± 0.3

External dimensions: Unit: mm Tolerance: ± 0.3

- Eliminates the cumbersome need to attach holders.
- Available in heights of 12 mm, 10 mm and 8 mm with a luminous area of 4.0 mm × 4.0 mm.
- Available in radial taping configuration with a lead pitch of 5 mm allowing mounting by inserters.

- Available in different colors.
- TH10D and TH12E are holders used for the SEL6010 series. TH8F is a holder used for the SEL5020 and SEL5021 series.

