

# Rectifier Diodes for Alternators

Type No.	Absolute maximum ratings				Electrical Characteristics					Fig. No.	Remarks
	$V_{RM}$ (V)	$I_F$ (AV) (A)	$I_{FSM}$ (A)	$T_{stg}$ (°C)	$V_F$ (V) max	Condition $I_F$ (A)	$I_R$ (mA) max	$V_Z$ (V)	Condition $I_Z$ (mA)		
SG-9CNS	200	20	200	-40 to +150	1.10	20	0.25	—	—	1	
SG-9CNR											
SG-9LCNS	200	30	300	-40 to +150	1.10	30	0.25	—	—	2	
SG-9LCNR											
SG-10LS	200	30	350	-40 to +150	1.20	100	0.25	—	—	3	
SG-10LR											
SG-10LXS	150	35	400	-40 to +150	1.05	100	0.25	—	—	3	
SG-10LXR											
SG-10LLS	200	40	400	-40 to +150	1.05	100	0.25	—	—	4	
SG-10LLR											
SG-10LLXS	150	45	450	-40 to +150	1.00	100	0.25	—	—	4	
SG-10LLXR											
SG-10LZ23S	17	30	350	-40 to +150	1.20	100	0.05	23±3	10	3	Power Zener Type
SG-10LZ23R											
SG-10LLZ23S	17	40	400	-40 to +150	1.05	100	0.05	23±3	10	4	
SG-10LLZ23R											

## External Dimensions (unit: mm)

Fig. 1

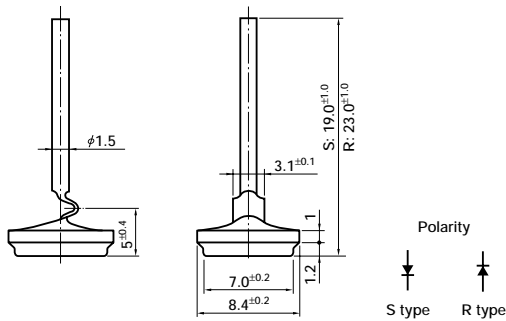


Fig. 2

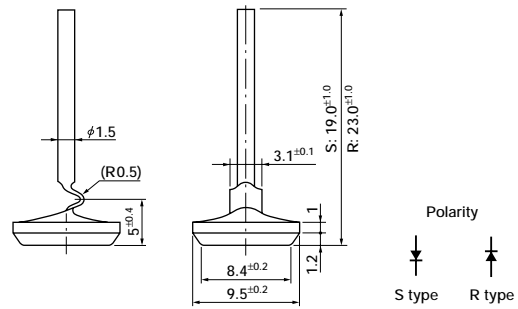


Fig. 3

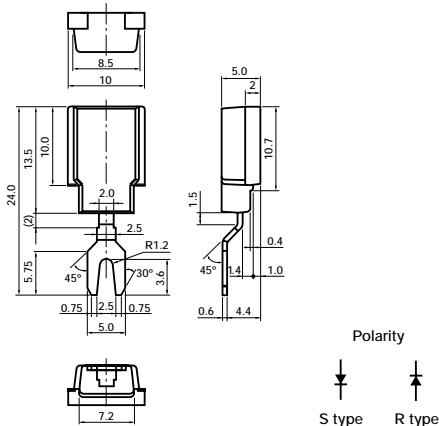


Fig. 4

