

Rectifier Diodes for Alternators

| Type No. | Absolute maximum ratings | | | | Electrical Characteristics | | | | | Fig. No. | Remarks |
|-------------|--------------------------|----------------|---------------|----------------|----------------------------|---------------------|----------------|-----------|----------------------|----------|------------------|
| | V_{RM} (V) | I_F (AV) (A) | I_{FSM} (A) | T_{stg} (°C) | V_F (V) max | Condition I_F (A) | I_R (mA) max | V_Z (V) | Condition I_Z (mA) | | |
| SG-9CNS | 200 | 20 | 200 | -40 to +150 | 1.10 | 20 | 0.25 | — | — | 1 | |
| SG-9CNR | | | | | | | | | | | |
| SG-9LCNS | 200 | 30 | 300 | -40 to +150 | 1.10 | 30 | 0.25 | — | — | 2 | |
| SG-9LCNR | | | | | | | | | | | |
| SG-10LS | 200 | 30 | 350 | -40 to +150 | 1.20 | 100 | 0.25 | — | — | 3 | |
| SG-10LR | | | | | | | | | | | |
| SG-10LXS | 150 | 35 | 400 | -40 to +150 | 1.05 | 100 | 0.25 | — | — | 3 | |
| SG-10LXR | | | | | | | | | | | |
| SG-10LLS | 200 | 40 | 400 | -40 to +150 | 1.05 | 100 | 0.25 | — | — | 4 | |
| SG-10LLR | | | | | | | | | | | |
| SG-10LLXS | 150 | 45 | 450 | -40 to +150 | 1.00 | 100 | 0.25 | — | — | 4 | |
| SG-10LLXR | | | | | | | | | | | |
| SG-10LZ23S | 17 | 30 | 350 | -40 to +150 | 1.20 | 100 | 0.05 | 23±3 | 10 | 3 | Power Zener Type |
| SG-10LZ23R | | | | | | | | | | | |
| SG-10LLZ23S | 17 | 40 | 400 | -40 to +150 | 1.05 | 100 | 0.05 | 23±3 | 10 | 4 | |
| SG-10LLZ23R | | | | | | | | | | | |

External Dimensions (unit: mm)

Fig. 1

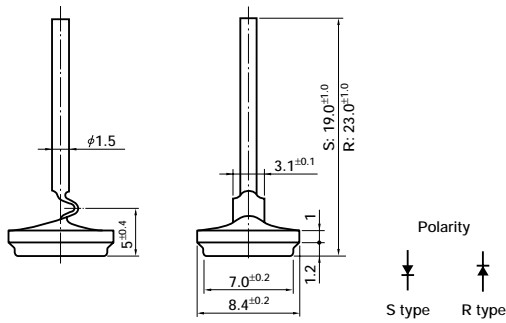


Fig. 2

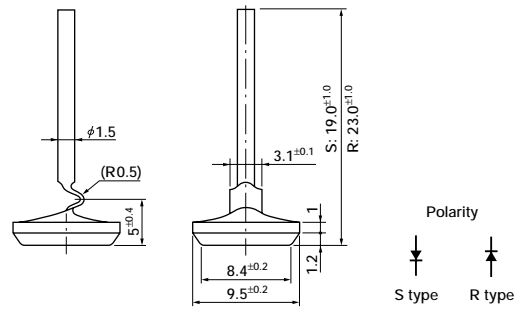


Fig. 3

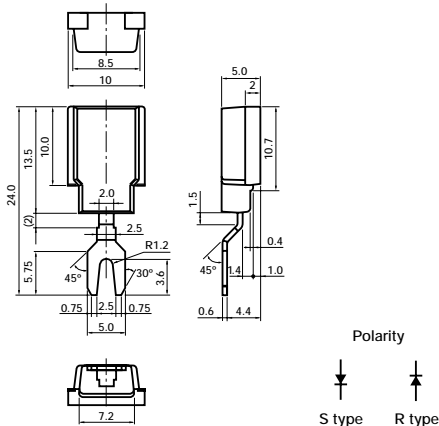


Fig. 4

