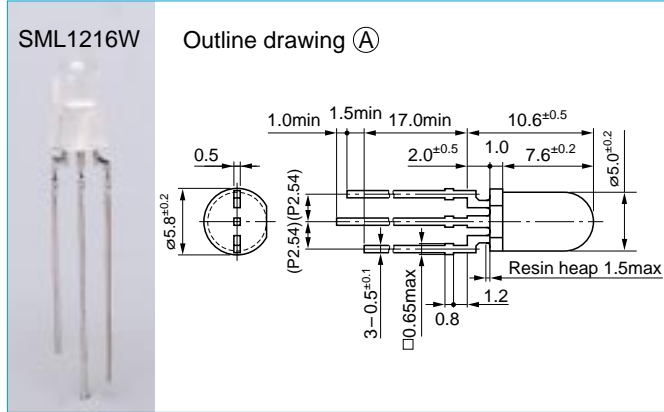
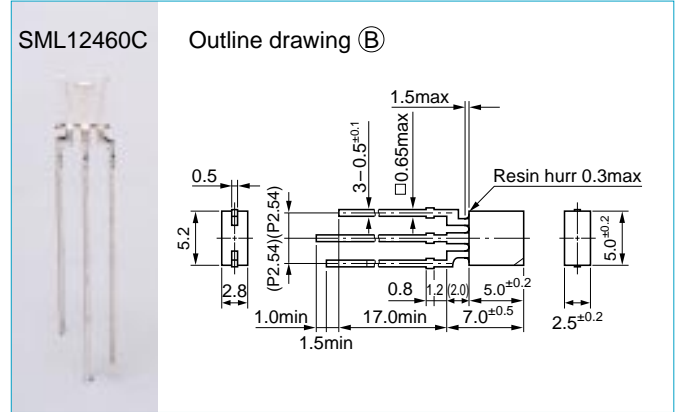


# Bicolor LEDs

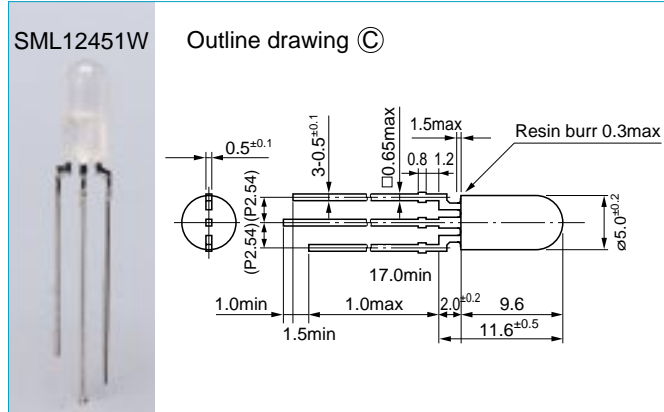
## ■ SML1016 series (Standard type)



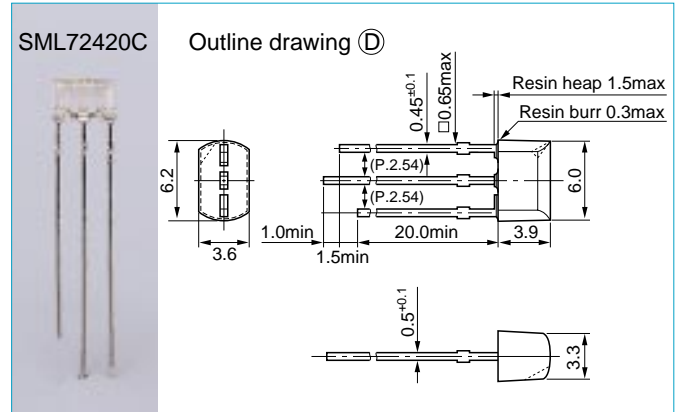
## ■ SML10060 series (Square type)



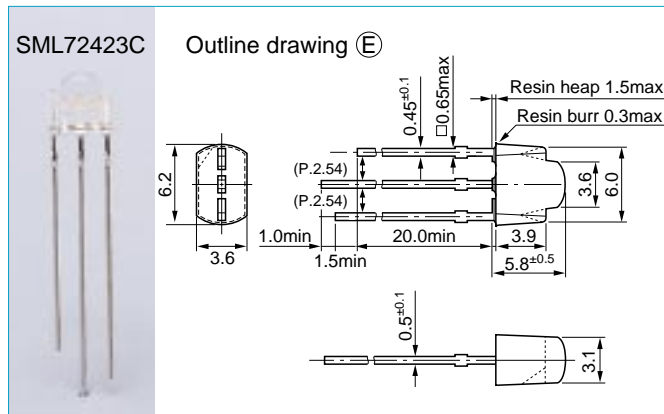
## ■ SML10051 series (Tricolor type)



## ■ SML70020 series (Flat lens type for contact mounting)



## ■ SML70023 series (Bow-lens type for contact mounting)

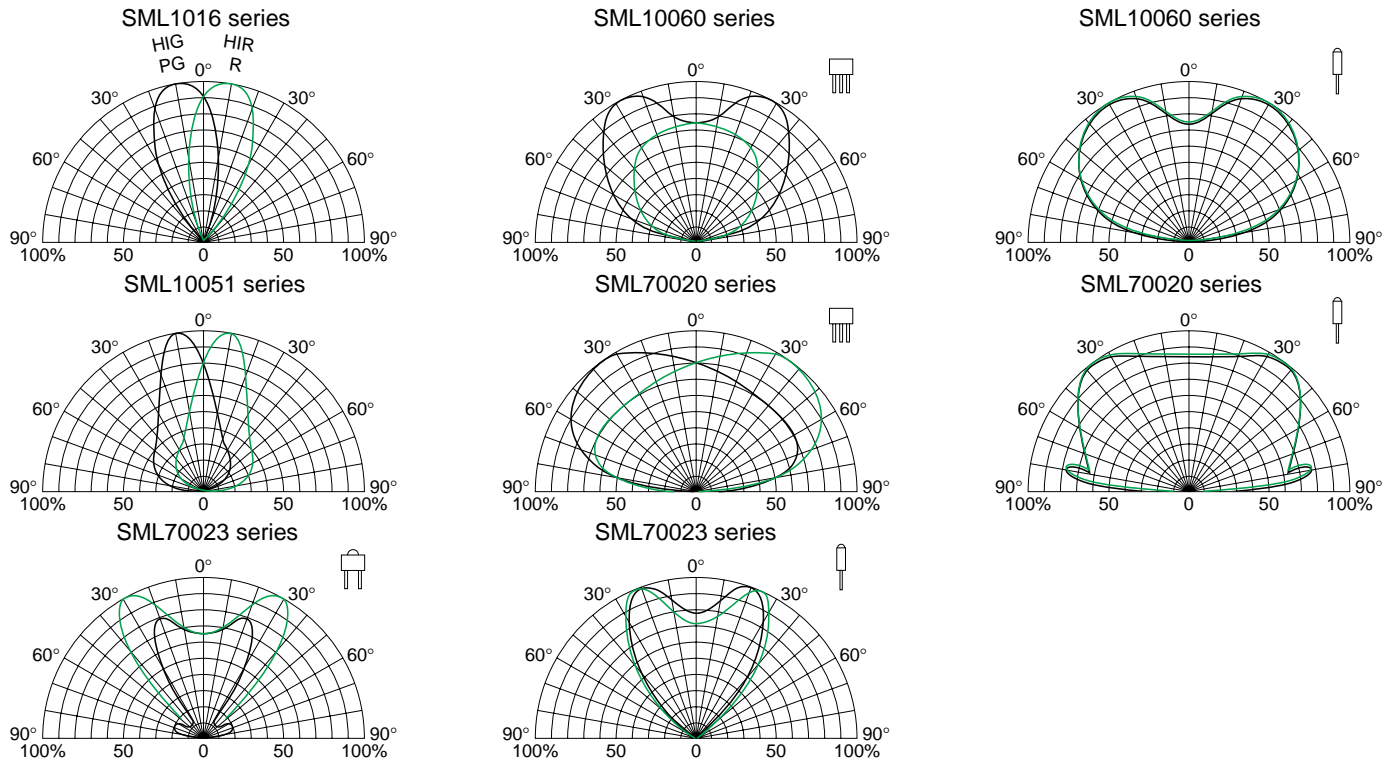


■ External dimensions: Unit: mm Tolerance: ±0.3

### Absolute maximum ratings (Ta=25°C)

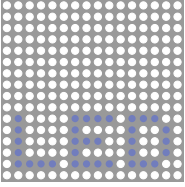
Symbol	Unit	Rated
P <sub>D</sub>	mW	75
I <sub>F</sub>	mA	100
I <sub>FP</sub>	mA	100
V <sub>R</sub>	V	4
Top	°C	-30 to +85
Tstg	°C	-30 to +100

**Viewing angle**



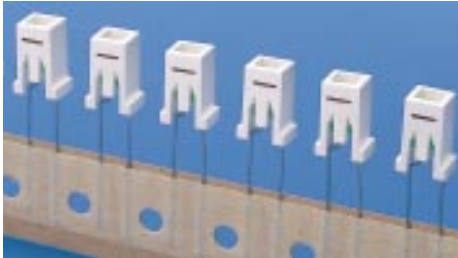
**Electro-optical characteristics (Ta=25°C)**

Type No.		Emitting color	Electro-optical characteristics (Ta=25°C)								Outline drawing	
			V <sub>F</sub> (V)		Condition I <sub>F</sub> (mA)	I <sub>R</sub> (μA)	Condition V <sub>R</sub> (V)	I <sub>v</sub> (mcd)		λ <sub>p</sub> (nm)		Δλ
			typ	max				typ	Condition I <sub>F</sub> (mA)			
SML1016 series	SML1216W	High intensity red	1.9	2.5	10	10	4	40	20	630	35	Ⓐ
		Green	2.0							560	20	
	SML1816W	Amber	1.9							610	35	
		Green	2.0							560	20	
	SML19416W	Orange	1.9							587	33	
		Green	2.0							560	20	
SML10060 series	SML12460C	High intensity red	1.9	2.5	10	10	4	10	20	630	35	Ⓑ
		Green	2.0							560	20	
	SML19460C	Orange	1.9							587	33	
		Green	2.0							560	20	
SML10051 series	SML12451W	High intensity red	1.9	2.5	10	10	4	40	20	630	35	Ⓒ
		Green	2.0							560	20	
	SML18451W	Amber	1.9							610	35	
		Green	2.0							560	20	
Anode common series	SML16760CN	Ultra-high intensity red	1.7	2.2	10	10	4	20	20	660	30	Ⓑ
		Yellow	2.4	3.0						570	40	
	SML16751WN	Ultra-high intensity red	1.7	2.2				50		660	30	Ⓒ
		Yellow	2.4	3.0				40		570	40	
SML70020 series (for contact mounting)	SML72420C	High intensity red	1.9	2.5	10	10	4	10	20	630	35	Ⓓ
		Green	2.0							560	20	
	SML78420C	Amber	1.9					610		35		
		Green	2.0					560		20		
	SML79420C	Orange	1.9					587		33		
		Green	2.0					560		20		
SML70023 series (for contact mounting)	SML72423C	High intensity red	1.9	2.5	10	10	4	10	20	630	35	Ⓔ
		Green	2.0							560	20	
	SML78423C	Amber	1.9					610		35		
		Green	2.0					560		20		
	SML79423C	Orange	1.9					587		33		
		Green	2.0					560		20		



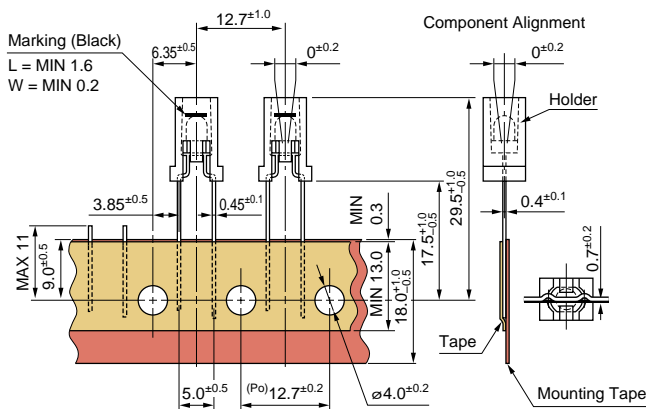
## Taping of packaged LEDs with holder (for automatic insertion)

### TH12E



Outline drawing (A)

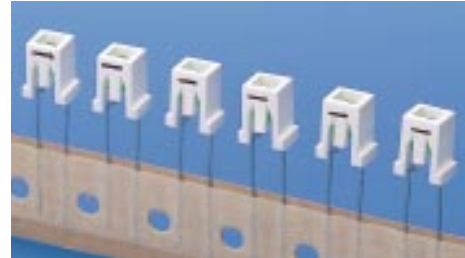
TH12E



(Po): Cumulative pitch tolerance shall not exceed  $\pm 1.0$ mm over 20 consecutive pitches.

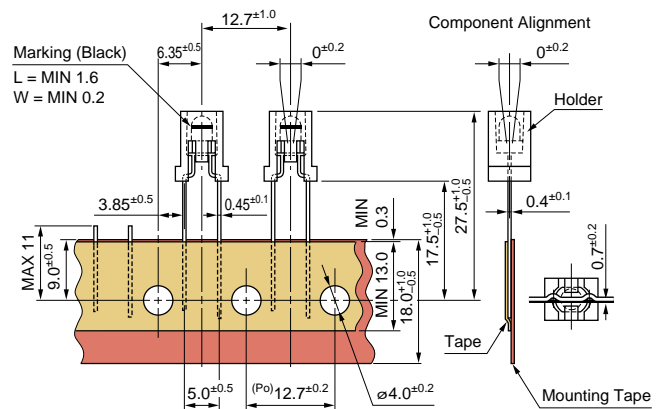
Tolerance:  $\pm 0.3$

### TH10D



Outline drawing (B)

TH10D



(Po): Cumulative pitch tolerance shall not exceed  $\pm 1.0$ mm over 20 consecutive pitches.

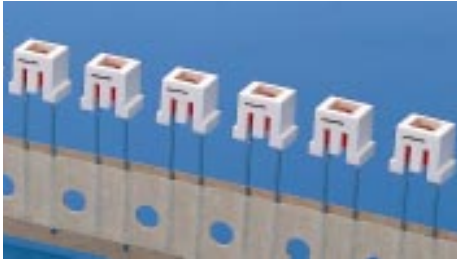
Tolerance:  $\pm 0.3$

External dimensions: Unit: mm Tolerance:  $\pm 0.3$

- Eliminates the cumbersome need to attach holders.
- Available in heights of 12 mm, 10 mm and 8 mm with a luminous area of 4.0 mm  $\times$  4.0 mm.
- Available in radial taping configuration with a lead pitch of 5 mm allowing mounting by inserters.

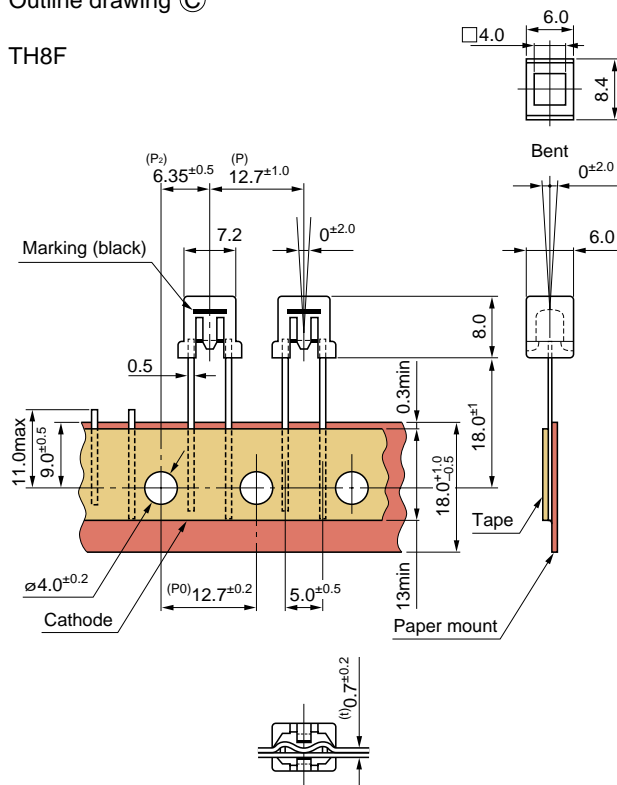
- Available in different colors.
- TH10D and TH12E are holders used for the SEL6010 series. TH8F is a holder used for the SEL5020 and SEL5021 series.

## TH8F



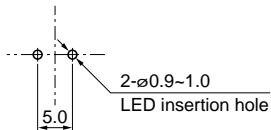
### Outline drawing ©

#### TH8F



External dimensions: Unit: mm Tolerance:  $\pm 0.3$

### Recommended dimensions of insertion holes on printed circuit boards (common)



(Po): The cumulative pitch error must be within  $\pm 1.0$  for 2.0 pitches.

## Product list

Type No.	Emitting color
SEL6210S TH12E	High intensity red
SEL6410E TH12E	Green
SEL6510C TH12E	Pure green
SEL6710K TH12E	Yellow
SEL6810A TH12E	Amber
SEL6910A TH12E	Orange
SEL6210S TH10D	High intensity red
SEL6410E TH10D	Green
SEL6510C TH10D	Pure green
SEL6710K TH10D	Yellow
SEL6810A TH10D	Amber
SEL6910A TH10D	Orange
SEL5220S TH8F	High intensity red
SEL5420E TH8F	Green
SEL5520C TH8F	Pure green
SEL5820A TH8F	Amber
SEL5920A TH8F	Orange
SEL5221S TH8F	High intensity red
SEL5421E TH8F	Green
SEL5521C TH8F	Pure green
SEL5821A TH8F	Amber
SEL5921A TH8F	Orange

Quantity per box: 1,200