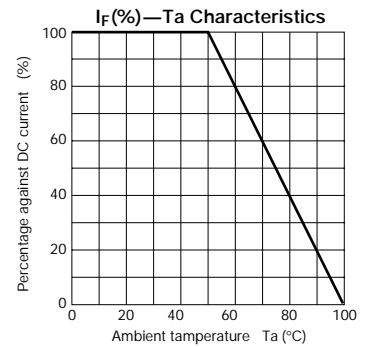
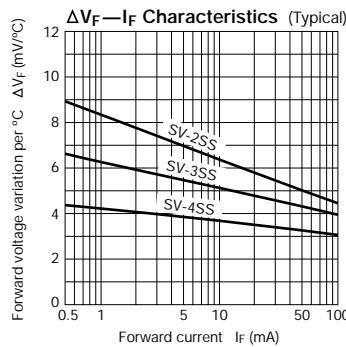
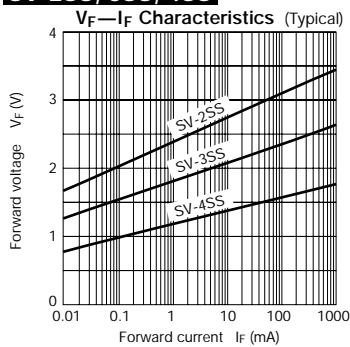


# Symmetrical type Silicon Varistors

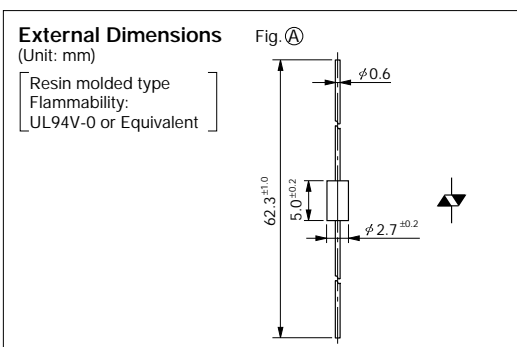
Parameter Type No.	Absolute Maximum Ratings			DC characteristics				Others		
	$I_F$ (mA)	$T_J$ (°C)	$T_{stg}$ (°C)	$V_F$ (V)	$I_F$ (mA)	$I_F$ ( $\mu$ A)	$V_F$ (V)	$R_{th}(j-\ell)$ (°C/W)	Mass (g)	Fig.
SV-2SS	150	-40 to +100		4max	100	max	1.2	20	0.3	Ⓐ
SV-3SS	250			2max			0.6			
SV-4SS	150			1.8±0.2	1	50	0.9			
				2.15±0.2	10					
				2.40±0.25	30					

■ Applications: Divided voltage stabilization circuit, Signal limiter circuit, Temperature detection circuit, Zener voltage stabilization circuit, Meter protection circuit, etc.

## SV-2SS, 3SS, 4SS



Type No.	SV-2SS	SV-3SS	SV-4SS
Color indication			
Internal junction			



● In North America, please send inquiries for the products listed in this page to World Products Inc.