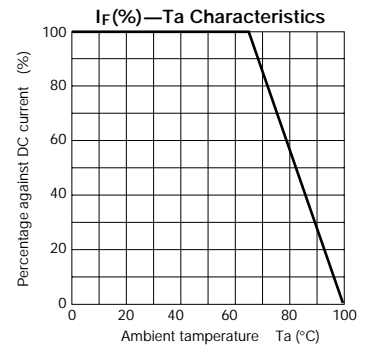
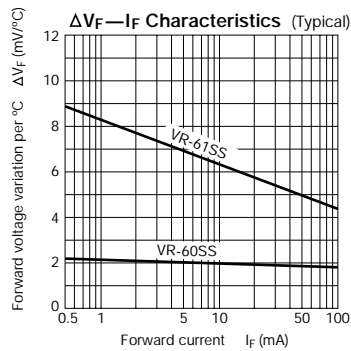
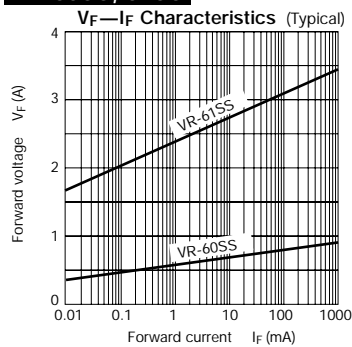


Symmetrical type Silicon Varistors

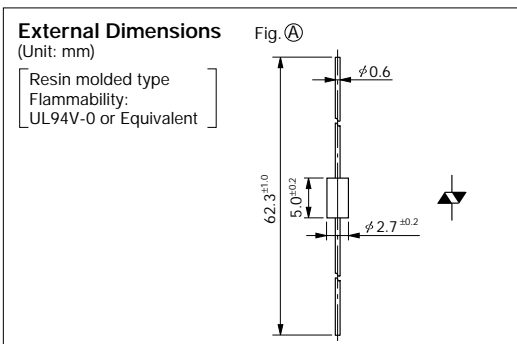
Parameter Type No.	Absolute Maximum Ratings				DC characteristics				Others		
	I _F (mA)	I _{FSM} (A)	T _J (°C)	T _{stg} (°C)	V _F (V)	I _F (μA)		R _{th(j-ℓ)} (°C/W)	Mass (g)	Fig.	
		50Hz 1cycle Sinewave				max	(V)				
VR-60SS	400	15	-40 to +100		1.5max	1A	20	0.2	20	0.3	Ⓐ
VR-61SS	150	7.5			2.3±0.25	1					
					2.75±0.25	10					
					3.1±0.25	70					

■ Applications: Divided voltage stabilization circuit, Signal limiter circuit, Temperature detection circuit, Zener voltage stabilization circuit, Meter protection circuit, etc.

VR-60SS, 61SS



Type No.	VR-60SS	VR-61SS
Color indication	Orange	Orange Red
Internal junction		



● In North America, please send inquiries for the products listed in this page to World Products Inc.