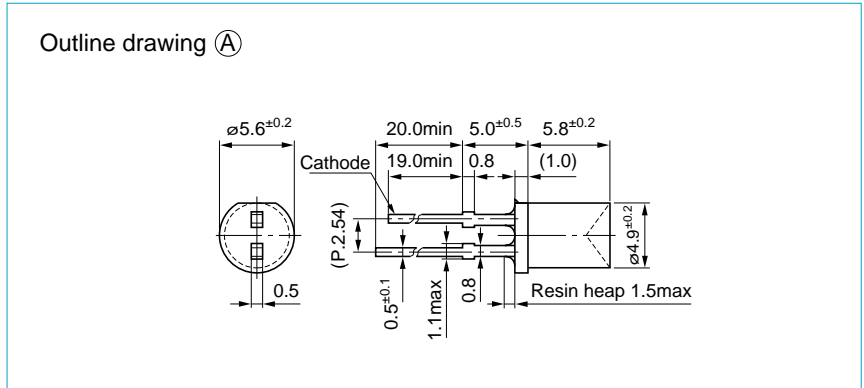
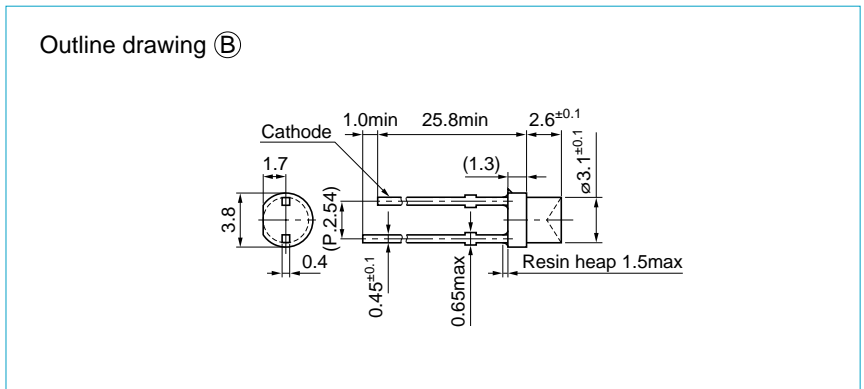


# LEDs for surface illumination

## SEL1013 series



## SEL2013 series

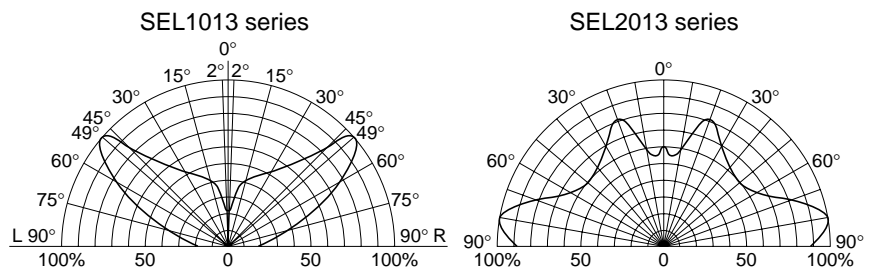


External dimensions: Unit: mm Tolerance:  $\pm 0.3$

### Absolute maximum ratings (Ta=25°C)

Symbol	Unit	Rated
I <sub>F</sub>	mA	30
I <sub>FP</sub>	mA	100
V <sub>R</sub>	V	3
Top	°C	-30 to +85
Tstg	°C	-30 to +100

### Viewing angle



Type No.	Type of lens	Emitting color	Electro-optical characteristics (Ta=25°C)								Outline drawing	
			V <sub>F</sub> (V)		Condition I <sub>F</sub> (mA)	I <sub>R</sub> (μA)	Condition V <sub>R</sub> (V)	I <sub>V</sub> (mcd)		λ <sub>p</sub> (nm)		Δλ (nm)
			typ	max				typ	Condition I <sub>F</sub> (mA)			
SEL1213C	Un-tinted, non-diffused	High intensity red	1.9	2.5	10	50	3	3.5	20	630	35	(A)
SEL1413E	Green tinted, non-diffused	Green	2.0					8.0		560	20	
SEL1713K	Yellow tinted, non-diffused	Yellow	2.0					8.0		570	40	
SEL1813A	Orange tinted, non-diffused	Amber	1.9					5.0		610	35	
SEL1913K	Light orange tinted, non-diffused	Orange	1.9					5.0		587	33	
SEL2213C	Un-tinted, non-diffused	High intensity red	1.9	2.5	10	50	3	3.0	20	630	35	(B)
SEL2413E	Green tinted, non-diffused	Green	2.0					7.0		560	20	
SEL2713K	Yellow tinted, non-diffused	Yellow	2.0					17.0		570	40	
SEL2813A	Orange tinted, non-diffused	Amber	1.9					5.7		610	35	
SEL2913K	Light orange tinted, non-diffused	Orange	1.9					6.6		587	33	