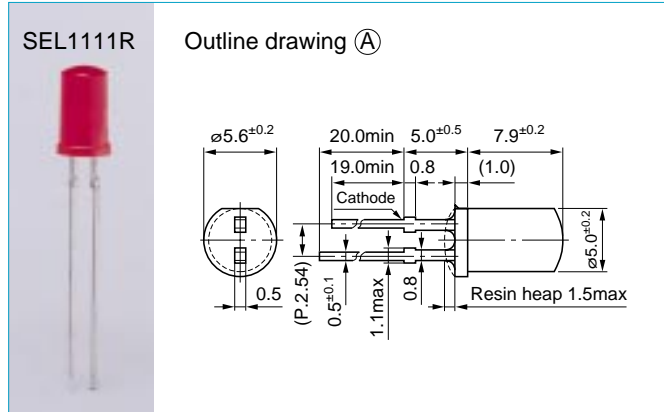
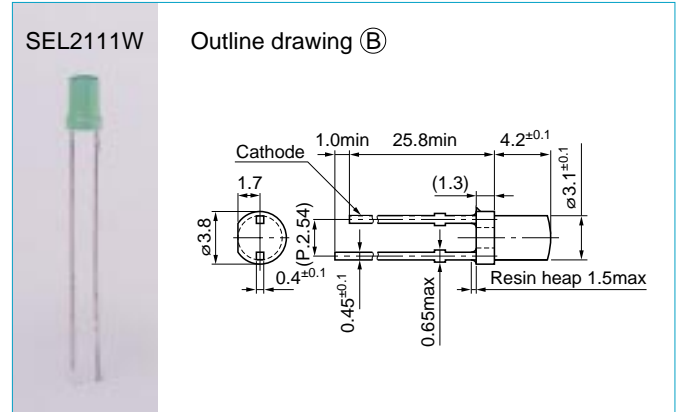


Round-type special configuration LEDs

SEL1011 series



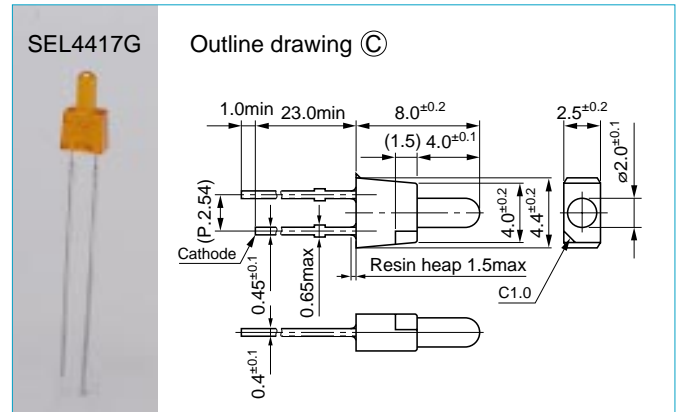
SEL2011 series



Absolute maximum ratings (Ta=25°C)

Symbol	Unit	Ratings
I _F	mA	30
I _{FP}	mA	100
V _R	V	3
Top	°C	-30 to +85
Tstg	°C	-30 to +100

SEL4017 series



External dimensions: Unit: mm Tolerance: ±0.3

Type No.	Display form (ø: mm)	Type of lens	Emitting color	Electro-optical characteristics (Ta=25°C)										Outline drawing
				V _F (V)		Condition I _F (mA)	I _R (μA)	Condition V _R (V)	I _v (mcd)		λ _p (nm)	Δλ (nm)		
				typ	max				typ	Condition I _F (mA)				
SEL1111R	●5	Red tinted, diffused	Red	2.0	2.5	10	50	3	1.3	10	700	100	(A)	
SEL1411G	●5	Green tinted, diffused	Green								560	20		
SEL1711Y	●5	Yellow tinted, diffused	Yellow								570	40		
SEL1811D	●5	Orange tinted, diffused	Amber	610	35									
SEL1911D	●5	Orange tinted, diffused	Orange	1.9	587	33	(B)							
SEL2111R	●3.1	Red tinted, diffused	Red	2.0	2.5	10		50	3	1.2	10	700	100	
SEL2111W	●3.1	Un-tinted, diffused	Red									560	20	
SEL2411G	●3.1	Green tinted, diffused	Green									570	40	
SEL4117R	●2	Red tinted, diffused	Red	2.0	2.5	10	50	3	1.0	10	700	100	(C)	
SEL4417G	●2	Green tinted, diffused	Green								560	20		
SEL4717Y	●2	Yellow tinted, diffused	Yellow								570	40		
SEL4817D	●2	Orange tinted, diffused	Amber	1.9	610	35								
SEL4917D	●2	Orange tinted, diffused	Orange	587	33									