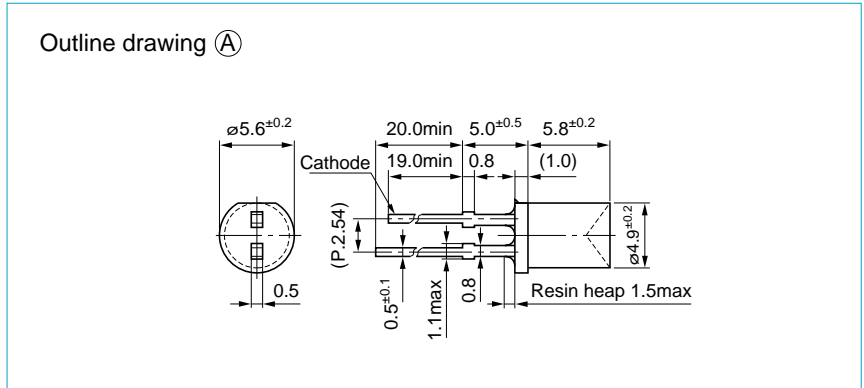
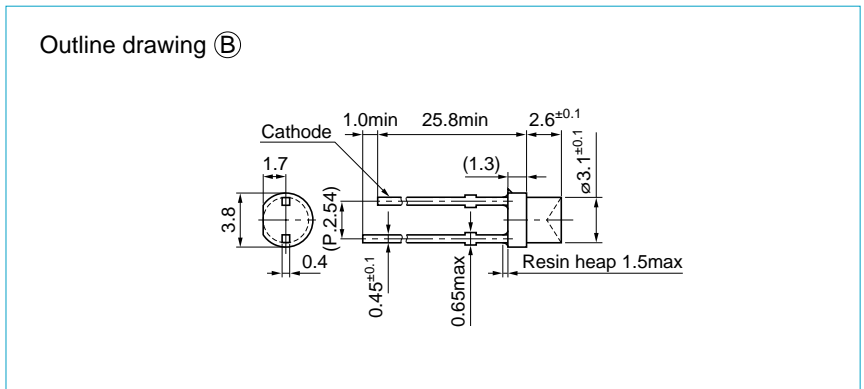


LEDs for surface illumination

SEL1013 series



SEL2013 series

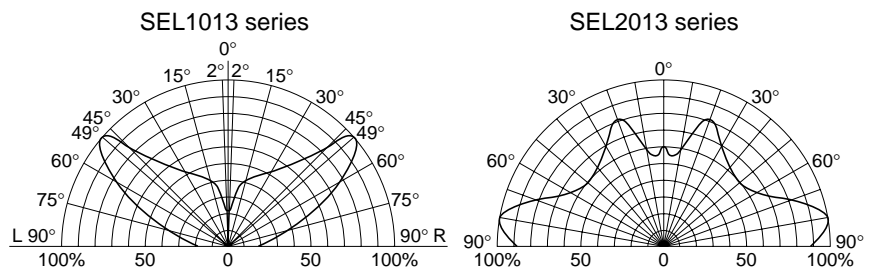


External dimensions: Unit: mm Tolerance: ± 0.3

Absolute maximum ratings (Ta=25°C)

Symbol	Unit	Rated
I _F	mA	30
I _{FP}	mA	100
V _R	V	3
Top	°C	-30 to +85
Tstg	°C	-30 to +100

Viewing angle



Type No.	Type of lens	Emitting color	Electro-optical characteristics (Ta=25°C)								Outline drawing	
			V _F (V)		Condition I _F (mA)	I _R (μA)	Condition V _R (V)	I _V (mcd)		λ _p (nm)		Δλ
			typ	max				typ	Condition I _F (mA)			
SEL1213C	Un-tinted, non-diffused	High intensity red	1.9	2.5	10	50	3	3.5	20	630	35	(A)
SEL1413E	Green tinted, non-diffused	Green	2.0					8.0		560	20	
SEL1713K	Yellow tinted, non-diffused	Yellow	2.0					8.0		570	40	
SEL1813A	Orange tinted, non-diffused	Amber	1.9					5.0		610	35	
SEL1913K	Light orange tinted, non-diffused	Orange	1.9					5.0		587	33	
SEL2213C	Un-tinted, non-diffused	High intensity red	1.9	2.5	10	50	3	3.0	20	630	35	(B)
SEL2413E	Green tinted, non-diffused	Green	2.0					7.0		560	20	
SEL2713K	Yellow tinted, non-diffused	Yellow	2.0					17.0		570	40	
SEL2813A	Orange tinted, non-diffused	Amber	1.9					5.7		610	35	
SEL2913K	Light orange tinted, non-diffused	Orange	1.9					6.6		587	33	