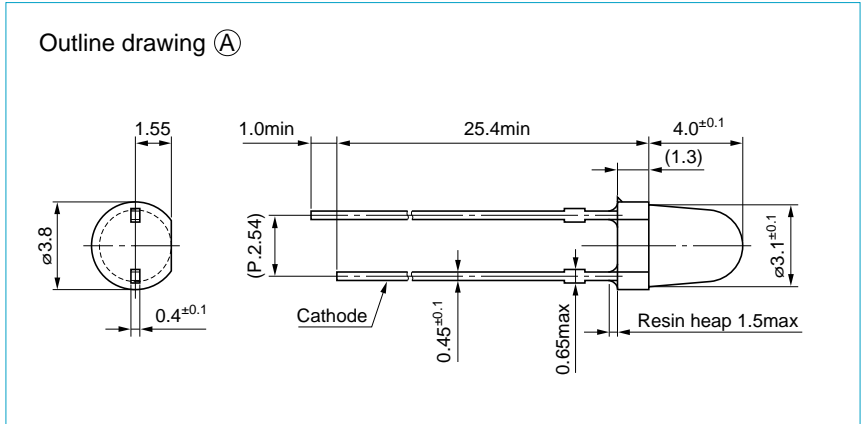


3ø round-type narrow viewing angle LEDs

SEL2015 series

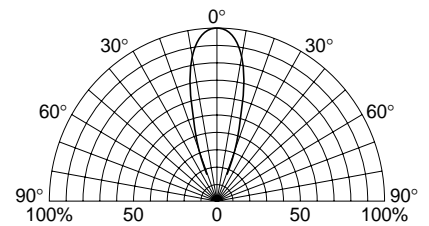
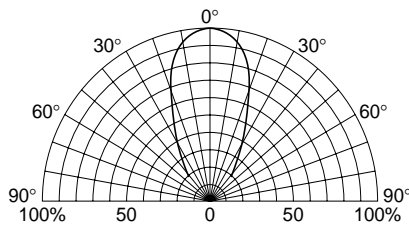


External dimensions: Unit: mm Tolerance: ±0.3

Absolute maximum ratings (Ta=25°C)

Symbol	Unit	Ratings
I _F	mA	30
I _{FP}	mA	100
V _R	V	3
Top	°C	-30 to +85
Tstg	°C	-30 to +100

Viewing angle



Type No.	Display form (ø: mm)	Type of lens	Emitting color	Electro-optical characteristics (Ta=25°C)								Outline drawing	
				V _F (V)		Condition I _F (mA)	I _R (μA)	Condition V _R (V)	I _v (mcd)		λ _p (nm)		Δλ (nm)
				typ	max				typ	Condition I _F (mA)			
SEL2215R	● 3.1	Red tinted, diffused	High intensity red	1.9	2.5	10	50	3	25.0	20	630	35	(A)
SEL2215S	● 3.1	Red tinted, non-diffused							30.0				
SEL2415G	● 3.1	Green tinted, diffused	Green	2.0	2.5	10	50	3	50.0	20	560	20	
SEL2415E	● 3.1	Green tinted, non-diffused							90.0				
SEL2715Y	● 3.1	Yellow tinted, diffused	Yellow	2.0	2.5	10	50	3	70.0	20	570	40	
SEL2715K	● 3.1	Yellow tinted, non-diffused							120.0				
SEL2815D	● 3.1	Orange tinted, diffused	Amber	1.9	2.5	10	50	3	40.0	20	610	35	
SEL2815A	● 3.1	Orange tinted, non-diffused							70.0				
SEL2915D	● 3.1	Orange tinted, diffused	Orange	1.9	2.5	10	50	3	50.0	20	587	33	
SEL2915A	● 3.1	Orange tinted, non-diffused							70.0				