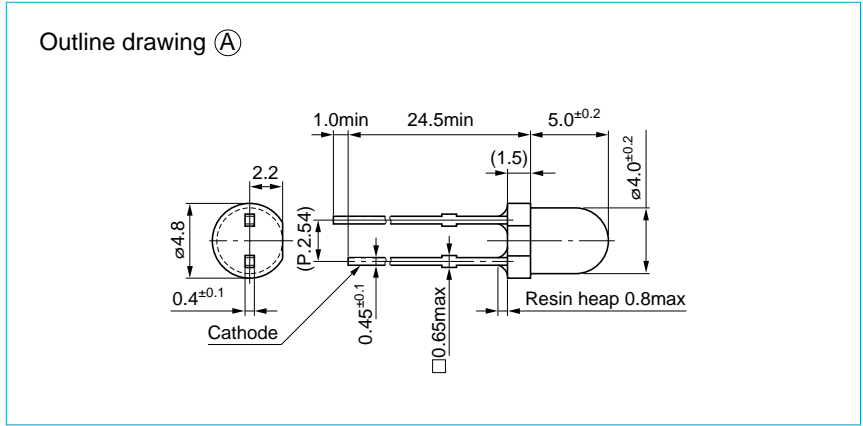


4 ϕ round-type contact mount LEDs (for automatic insertion)

SEL4014 series

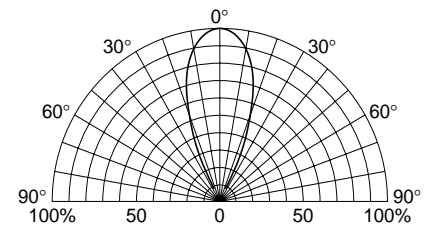
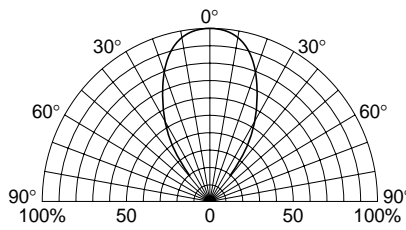


External dimensions: Unit: mm Tolerance: ± 0.3

Absolute maximum ratings ($T_a=25^\circ\text{C}$)

Symbol	Unit	Ratings
I_F	mA	30
I_{FP}	mA	100
V_R	V	3
Top	$^\circ\text{C}$	-30 to +85
Tstg	$^\circ\text{C}$	-30 to +100

Viewing angle



Type No.	Display form (ϕ : mm)	Type of lens	Emitting color	Electro-optical characteristics ($T_a=25^\circ\text{C}$)								Outline drawing	
				V_F (V)		Condition I_F (mA)	I_R (μA) max	Condition V_R (V)	I_v (mcd)		λ_p (nm)		$\Delta\lambda$ (nm) typ
				typ	max				typ	Condition I_F (mA)			
SEL4114R	●4	Red tinted, diffused	Red	2.0	2.5	10	50	3	2.0	10	700	100	(A)
SEL4114S	●4	Red tinted, non-diffused							3.0				
SEL4214R	●4	Light red tinted, diffused	High intensity red	1.9	2.5	10	50	3	12.0	20	630	35	
SEL4214S	●4	Light red tinted, non-diffused							25.0				
SEL4414G	●4	Light green tinted, diffused	Green	2.0	2.5	10	50	3	24.0	20	560	20	
SEL4414E	●4	Light green tinted, non-diffused							30.0				
SEL4714Y	●4	Yellow tinted, diffused	Yellow	2.0	2.5	10	50	3	13.0	10	570	40	
SEL4714K	●4	Yellow tinted, non-diffused							17.0				
SEL4814D	●4	Orange tinted, diffused	Amber	1.9	2.5	10	50	3	4.5	10	610	35	
SEL4814A	●4	Orange tinted, non-diffused							7.5				
SEL4914D	●4	Orange tinted, diffused	Orange	1.9	2.5	10	50	3	5.5	10	587	33	
SEL4914A	●4	Orange tinted, non-diffused							16.0				