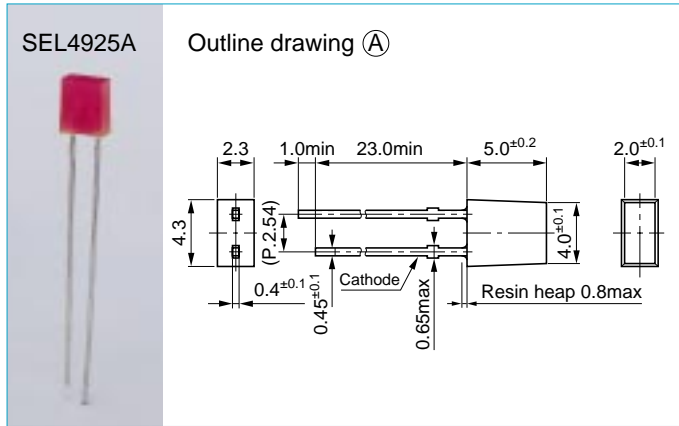
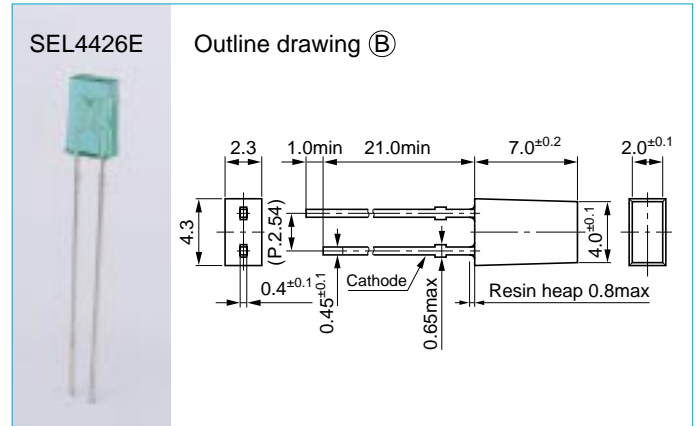


# Square display LEDs

## SEL4025 series



## SEL4026 series



External dimensions: Unit: mm Tolerance: ±0.3

### Absolute maximum ratings (Ta=25°C)

Symbol	Unit	Ratings
I <sub>F</sub>	mA	30
I <sub>FP</sub>	mA	100
V <sub>R</sub>	V	3
Top	°C	-30 to +85
Tstg	°C	-30 to +100

The LED chip in the SEL4026 series is located 5 mm above the bottom surface of the resin; Thus, it has superior heat resistance making it ideal for contact mounting.

Type No.	Display form (ø: mm)	Type of lens	Emitting color	Electro-optical characteristics (Ta=25°C)								Outline drawing	
				V <sub>F</sub> (V)		Condition I <sub>F</sub> (mA)	I <sub>R</sub> (μA)	Condition V <sub>R</sub> (V)	I <sub>v</sub> (mcd)		λ <sub>p</sub> (nm)		Δλ (nm)
				typ	max				typ	Condition I <sub>F</sub> (mA)			
SEL4225C	2x4	Un-tinted, non-diffused	High intensity red	1.9	2.5	10	50	3	10.0	20	630	35	A
SEL4225R	2x4	Red tinted, diffused							5.0				
SEL4425E	2x4	Green tinted, non-diffused	Green	2.0	2.5	10	50	3	15.0	10	560	20	
SEL4425G	2x4	Green tinted, diffused							10.0				
SEL4725K	2x4	Yellow tinted, non-diffused	Yellow	2.0	2.5	10	50	3	10.6	10	570	40	
SEL4725Y	2x4	Yellow tinted, diffused							6.0				
SEL4825A	2x4	Orange tinted, non-diffused	Amber	1.9	2.5	10	50	3	5.0	10	610	35	
SEL4825D	2x4	Orange tinted, diffused							3.0				
SEL4925A	2x4	Orange tinted, non-diffused	Orange	1.9	2.5	10	50	3	5.0	10	587	33	
SEL4925D	2x4	Orange tinted, diffused							3.0				
SEL4226C	2x4	Un-tinted, non-diffused	High intensity red	1.9	2.5	10	50	3	10.0	20	630	35	B
SEL4226R	2x4	Red tinted, diffused							5.0				
SEL4426E	2x4	Green tinted, non-diffused	Green	2.0	2.5	10	50	3	15.0	10	560	20	
SEL4426G	2x4	Green tinted, diffused							10.0				
SEL4726K	2x4	Yellow tinted, non-diffused	Yellow	2.0	2.5	10	50	3	10.6	10	570	40	
SEL4726Y	2x4	Yellow tinted, diffused							6.0				
SEL4826A	2x4	Orange tinted, non-diffused	Amber	1.9	2.5	10	50	3	5.0	10	610	35	
SEL4826D	2x4	Orange tinted, diffused							3.0				
SEL4926A	2x4	Orange tinted, non-diffused	Orange	1.9	2.5	10	50	3	5.0	10	587	33	
SEL4926D	2x4	Orange tinted, diffused							3.0				