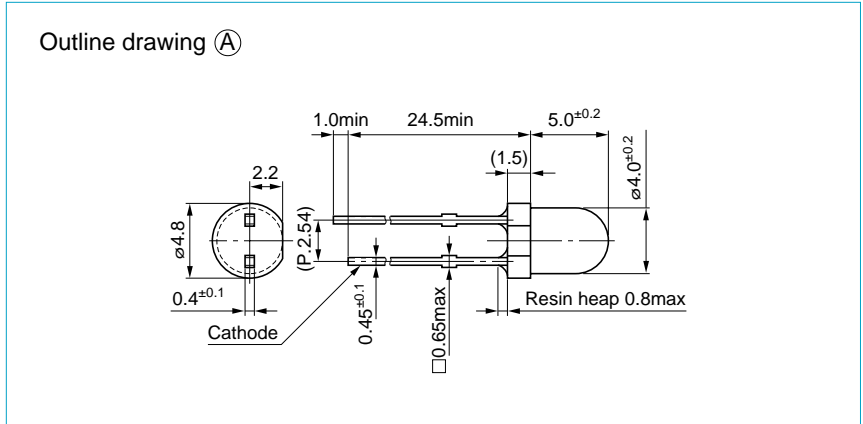


# 4ø round-type contact mount LEDs (for automatic insertion)

## SEL4014 series

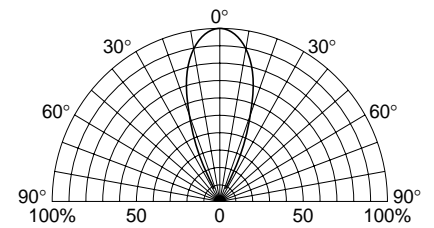
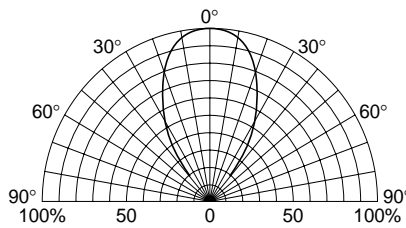


External dimensions: Unit: mm Tolerance: ±0.3

### Absolute maximum ratings (Ta=25°C)

Symbol	Unit	Ratings
I <sub>F</sub>	mA	30
I <sub>FP</sub>	mA	100
V <sub>R</sub>	V	3
Top	°C	-30 to +85
Tstg	°C	-30 to +100

### Viewing angle



Type No.	Display form (ø: mm)	Type of lens	Emitting color	Electro-optical characteristics (Ta=25°C)								Outline drawing	
				V <sub>F</sub> (V)		Condition I <sub>F</sub> (mA)	I <sub>R</sub> (μA)	Condition V <sub>R</sub> (V)	I <sub>v</sub> (mcd)	λ <sub>p</sub> (nm)	Δλ typ		
				typ	max		max		typ				Condition I <sub>F</sub> (mA)
SEL4114R	●4	Red tinted, diffused	Red	2.0	2.5	10	50	3	2.0	10	700	100	(A)
SEL4114S	●4	Red tinted, non-diffused							3.0				
SEL4214R	●4	Light red tinted, diffused	High intensity red	1.9	2.5	10	50	3	12.0	20	630	35	
SEL4214S	●4	Light red tinted, non-diffused							25.0				
SEL4414G	●4	Light green tinted, diffused	Green	2.0	2.5	10	50	3	24.0	10	560	20	
SEL4414E	●4	Light green tinted, non-diffused							30.0				
SEL4714Y	●4	Yellow tinted, diffused	Yellow	2.0	2.5	10	50	3	13.0	10	570	40	
SEL4714K	●4	Yellow tinted, non-diffused							17.0				
SEL4814D	●4	Orange tinted, diffused	Amber	1.9	2.5	10	50	3	4.5	10	610	35	
SEL4814A	●4	Orange tinted, non-diffused							7.5				
SEL4914D	●4	Orange tinted, diffused	Orange	1.9	2.5	10	50	3	5.5	10	587	33	
SEL4914A	●4	Orange tinted, non-diffused							16.0				