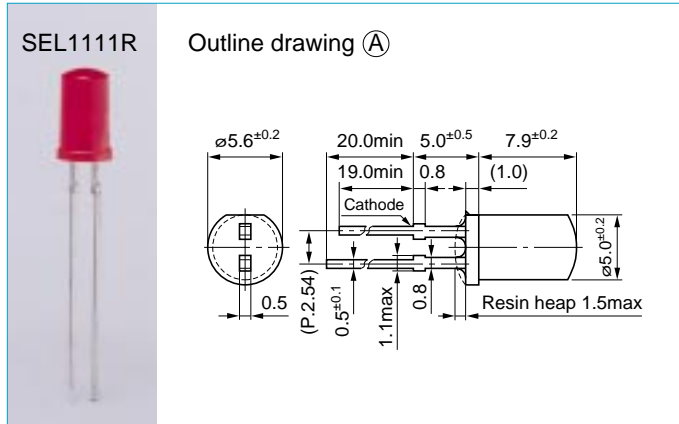
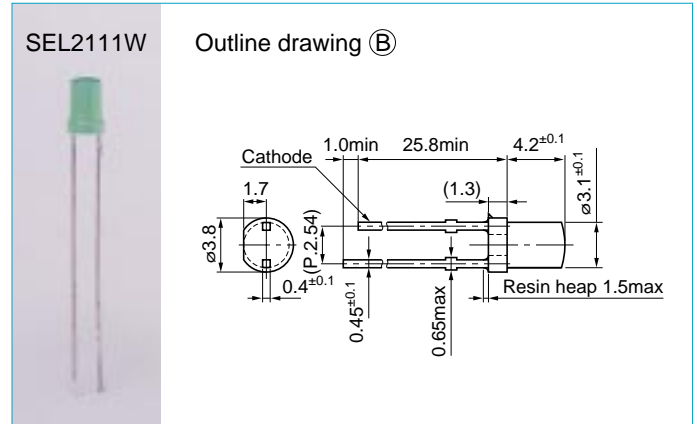


# Round-type special configuration LEDs

## SEL1011 series



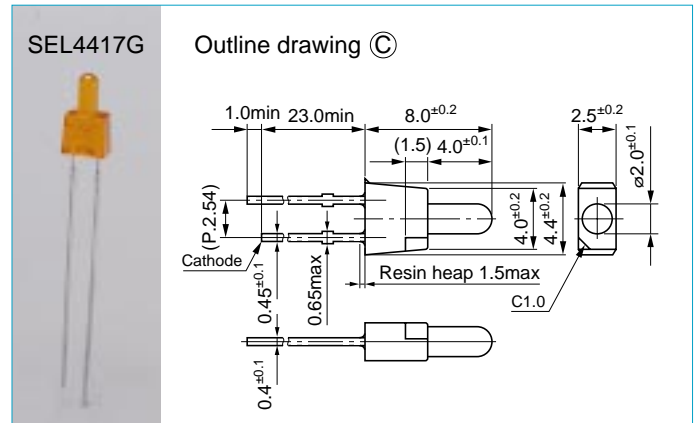
## SEL2011 series



### Absolute maximum ratings (Ta=25°C)

Symbol	Unit	Ratings
I <sub>F</sub>	mA	30
I <sub>FP</sub>	mA	100
V <sub>R</sub>	V	3
Top	°C	-30 to +85
Tstg	°C	-30 to +100

## SEL4017 series



External dimensions: Unit: mm Tolerance: ±0.3

Type No.	Display form (ø: mm)	Type of lens	Emitting color	Electro-optical characteristics (Ta=25°C)								Outline drawing	
				V <sub>F</sub> (V)		Condition I <sub>F</sub> (mA)	I <sub>R</sub> (μA)	Condition V <sub>R</sub> (V)	I <sub>V</sub> (mcd)		λ <sub>p</sub> (nm)		Δλ
				typ	max				typ	Condition I <sub>F</sub> (mA)			
SEL1111R	●5	Red tinted, diffused	Red	2.0	2.5	10	50	3	1.3	10	700	100	A
SEL1411G	●5	Green tinted, diffused							5.0		560	20	
SEL1711Y	●5	Yellow tinted, diffused							8.0		570	40	
SEL1811D	●5	Orange tinted, diffused							5.5		610	35	
SEL1911D	●5	Orange tinted, diffused	Orange	1.9					5.5		587	33	
SEL2111R	●3.1	Red tinted, diffused	Red	2.0	2.5	10	50	3	1.2	10	700	100	B
SEL2111W	●3.1	Un-tinted, diffused							3.0		560	20	
SEL2411G	●3.1	Green tinted, diffused							3.0		560	20	
SEL4117R	●2	Red tinted, diffused	Red	2.0	2.5	10	50	3	1.0	10	700	100	C
SEL4417G	●2	Green tinted, diffused							10.0		560	20	
SEL4717Y	●2	Yellow tinted, diffused							9.5		570	40	
SEL4817D	●2	Orange tinted, diffused							4.5		610	35	
SEL4917D	●2	Orange tinted, diffused	Orange	1.9					4.5		587	33	