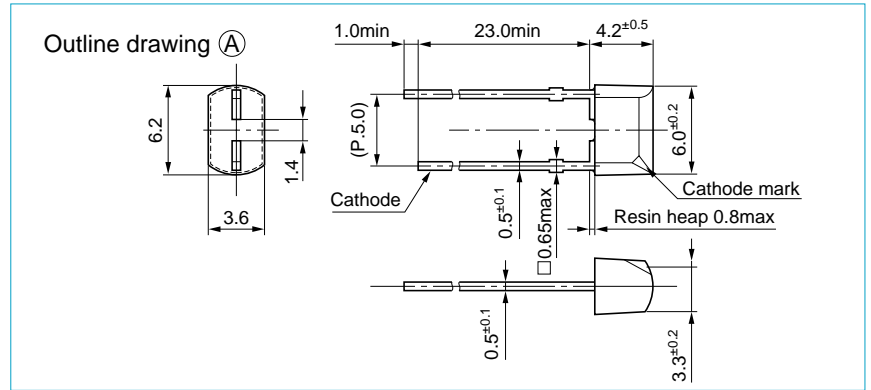
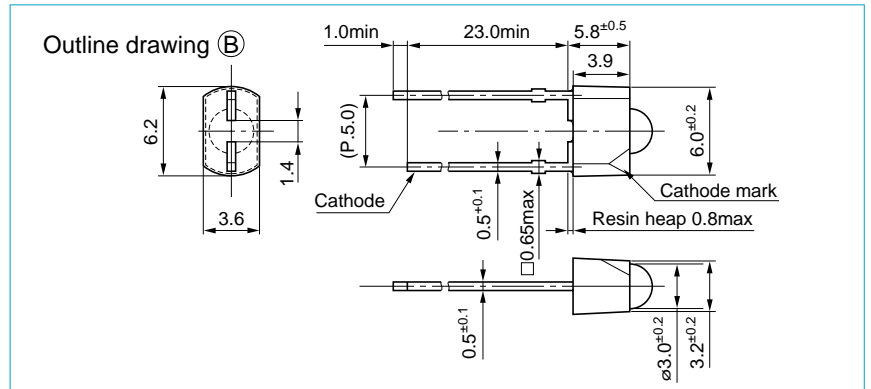


5-mm pitch lead contact mount LEDs (for automatic insertion)

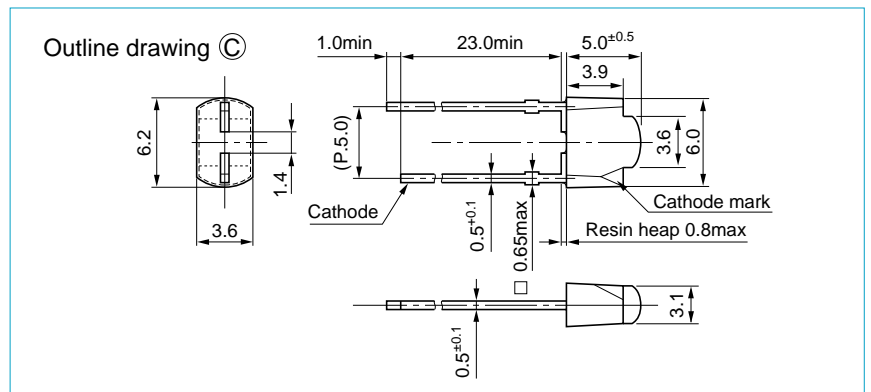
SEL5020 series (Flat type)



SEL5021 series (∅3 lens type)

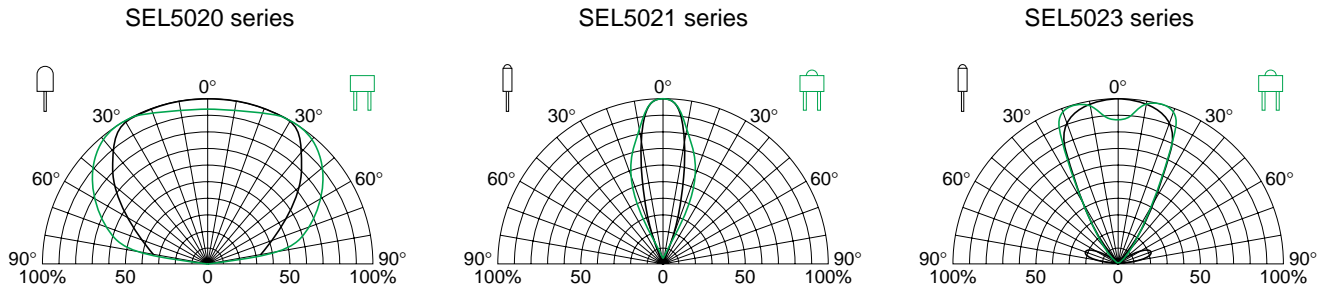


SEL5023 series (Bow-lens type)



External dimensions: Unit: mm Tolerance: ±0.3

Viewing angle



Absolute maximum ratings (Ta=25°C)

| Symbol | Unit | Ratings |
|-----------------|------|-------------|
| I _F | mA | 30 |
| I _{FP} | mA | 100 |
| V _R | V | 3 |
| Top | °C | -30 to +85 |
| Tstg | °C | -30 to +100 |

| Type No. | Display form (ϕ : mm) | Type of lens | Emitting color | Electro-optical characteristics (Ta=25°C) | | | | | | | | | Outline drawing |
|----------|--------------------------------|-----------------------------|--------------------|---|-----|-------------------------------|---------------------------|------------------------------|----------------------|-------------------------------|------------------|----------------------|-----------------|
| | | | | V _F (V) | | Condition I _F (mA) | I _R (μ A) | Condition V _R (V) | I _v (mcd) | | λ_p (nm) | $\Delta\lambda$ (nm) | |
| | | | | typ | max | | | | typ | Condition I _F (mA) | | | |
| SEL5220S | 3.3×6 | Red tinted, non-diffused | High intensity red | 1.9 | 2.5 | 10 | 50 | 3 | 2.8 | 20 | 630 | 35 | Ⓐ |
| SEL5420E | 3.3×6 | Green tinted, non-diffused | Green | 2.0 | | | | | 6.8 | | 560 | 20 | |
| SEL5520C | 3.3×6 | Un-tinted, non-diffused | Pure green | 2.0 | | | | | 2.4 | | 555 | 20 | |
| SEL5820A | 3.3×6 | Orange tinted, non-diffused | Amber | 1.9 | | | | | 6.0 | | 610 | 35 | |
| SEL5920A | 3.3×6 | Orange tinted, non-diffused | Orange | 1.9 | | | | | 4.4 | | 587 | 33 | |
| SEL5221S | ϕ 3 | Red tinted, non-diffused | High intensity red | 1.9 | 2.5 | 10 | 50 | 3 | 14 | 20 | 630 | 35 | Ⓑ |
| SEL5421E | ϕ 3 | Green tinted, non-diffused | Green | 2.0 | | | | | 36 | | 560 | 20 | |
| SEL5521C | ϕ 3 | Un-tinted, non-diffused | Pure green | 2.0 | | | | | 14 | | 555 | 20 | |
| SEL5821A | ϕ 3 | Orange tinted, non-diffused | Amber | 1.9 | | | | | 22 | | 610 | 35 | |
| SEL5921A | ϕ 3 | Orange tinted, non-diffused | Orange | 1.9 | | | | | 22 | | 587 | 33 | |
| SEL5223S | 3.1×3.6 | Red tinted, non-diffused | High intensity red | 1.9 | 2.5 | 10 | 50 | 3 | 6 | 20 | 630 | 35 | Ⓒ |
| SEL5423E | 3.1×3.6 | Green tinted, non-diffused | Green | 2.0 | | | | | 14 | | 560 | 20 | |
| SEL5823A | 3.1×3.6 | Orange tinted, non-diffused | Amber | 2.0 | | | | | 9 | | 610 | 35 | |
| SEL5923A | 3.1×3.6 | Orange tinted, non-diffused | Orange | 1.9 | | | | | 9 | | 587 | 33 | |