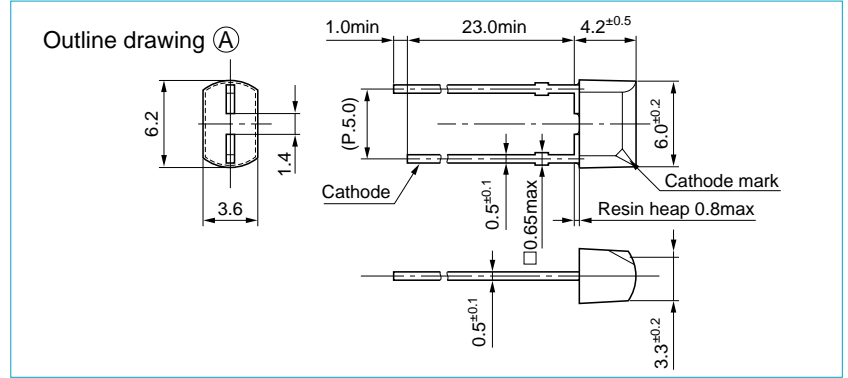
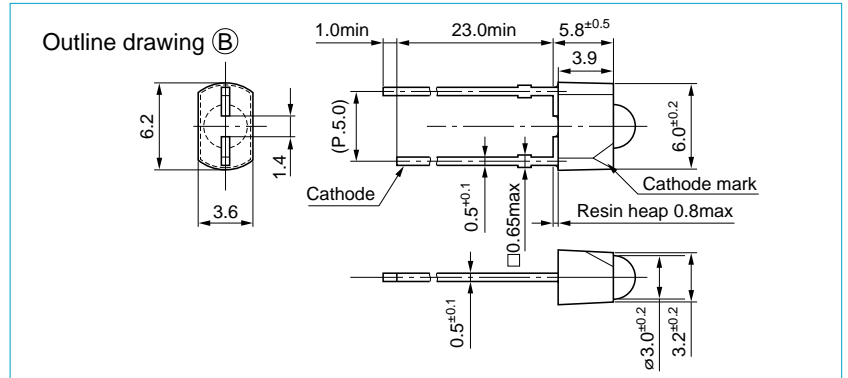


5-mm pitch lead contact mount LEDs (for automatic insertion)

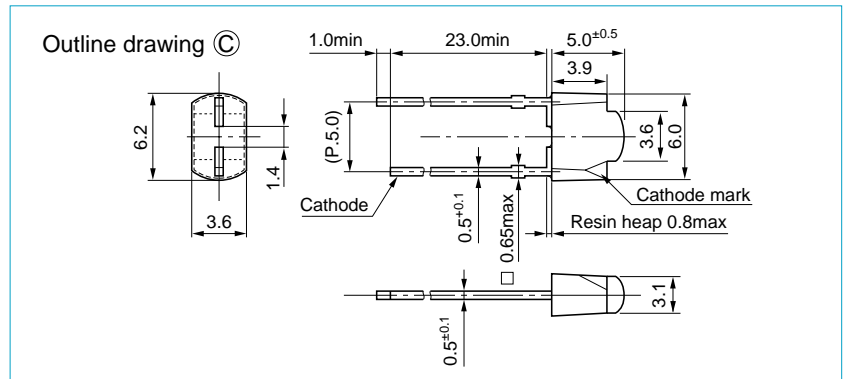
SEL5020 series (Flat type)



SEL5021 series (∅3 lens type)

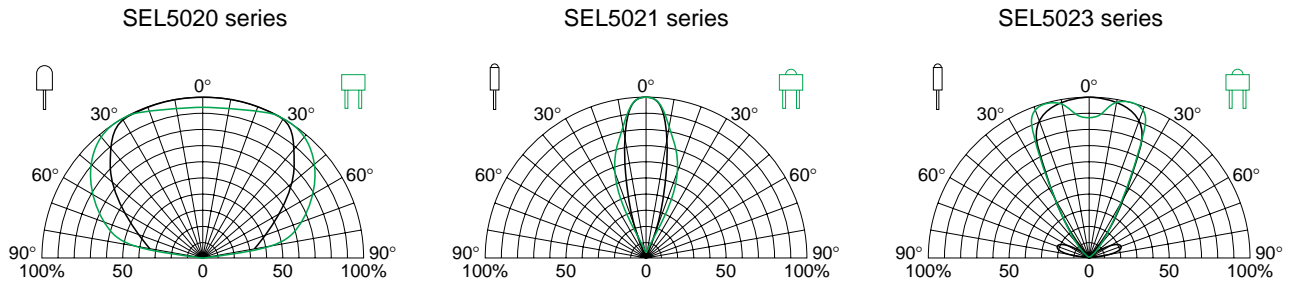


SEL5023 series (Bow-lens type)



External dimensions: Unit: mm Tolerance: ±0.3

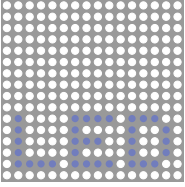
Viewing angle



Absolute maximum ratings (Ta=25°C)

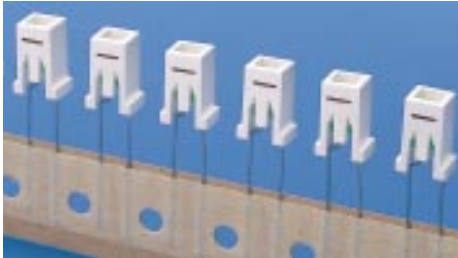
Symbol	Unit	Ratings
I _F	mA	30
I _{FP}	mA	100
V _R	V	3
Top	°C	-30 to +85
Tstg	°C	-30 to +100

Type No.	Display form (ϕ : mm)	Type of lens	Emitting color	Electro-optical characteristics (Ta=25°C)								Outline drawing	
				V _F (V)		Condition I _F (mA)	I _R (μ A)	Condition V _R (V)	I _V (mcd)		λ_p (nm)		$\Delta\lambda$ typ
				typ	max				typ	Condition I _F (mA)			
SEL5220S	3.3×6	Red tinted, non-diffused	High intensity red	1.9	2.5	10	50	3	2.8	20	630	35	Ⓐ
SEL5420E	3.3×6	Green tinted, non-diffused	Green	2.0					6.8		560	20	
SEL5520C	3.3×6	Un-tinted, non-diffused	Pure green	1.9					2.4		555	35	
SEL5820A	3.3×6	Orange tinted, non-diffused	Amber	1.9					6.0		610	33	
SEL5920A	3.3×6	Orange tinted, non-diffused	Orange	1.9					4.4		587	33	
SEL5221S	ϕ 3	Red tinted, non-diffused	High intensity red	1.9	2.5	10	50	3	14	20	630	35	Ⓑ
SEL5421E	ϕ 3	Green tinted, non-diffused	Green	2.0					36		560	20	
SEL5521C	ϕ 3	Un-tinted, non-diffused	Pure green	1.9					14		555	35	
SEL5821A	ϕ 3	Orange tinted, non-diffused	Amber	1.9					22		610	33	
SEL5921A	ϕ 3	Orange tinted, non-diffused	Orange	1.9					22		587	33	
SEL5223S	3.1×3.6	Red tinted, non-diffused	High intensity red	1.9	2.5	10	50	3	6	20	630	35	Ⓒ
SEL5423E	3.1×3.6	Green tinted, non-diffused	Green	2.0					14		560	20	
SEL5823A	3.1×3.6	Orange tinted, non-diffused	Amber	1.9					9		610	35	
SEL5923A	3.1×3.6	Orange tinted, non-diffused	Orange	1.9					9		587	33	



Taping of packaged LEDs with holder (for automatic insertion)

TH12E

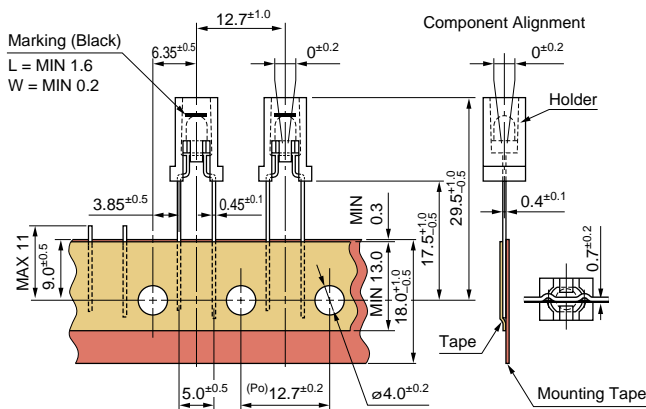


TH10D



Outline drawing (A)

TH12E

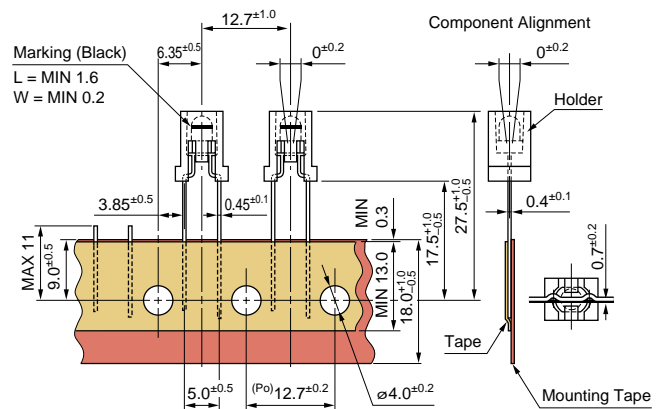


(Po): Cumulative pitch tolerance shall not exceed ± 1.0 mm over 20 consecutive pitches.

Tolerance: ± 0.3

Outline drawing (B)

TH10D



(Po): Cumulative pitch tolerance shall not exceed ± 1.0 mm over 20 consecutive pitches.

Tolerance: ± 0.3

External dimensions: Unit: mm Tolerance: ± 0.3

- Eliminates the cumbersome need to attach holders.
- Available in heights of 12 mm, 10 mm and 8 mm with a luminous area of 4.0 mm \times 4.0 mm.
- Available in radial taping configuration with a lead pitch of 5 mm allowing mounting by inserters.

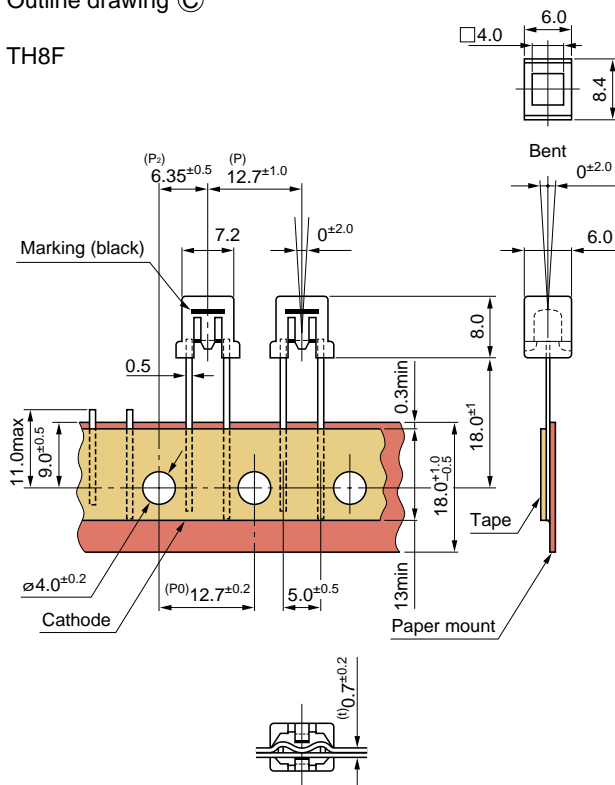
- Available in different colors.
- TH10D and TH12E are holders used for the SEL6010 series. TH8F is a holder used for the SEL5020 and SEL5021 series.

TH8F



Outline drawing ©

TH8F



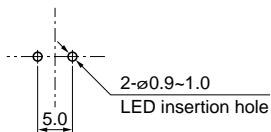
■External dimensions: Unit: mm Tolerance: ±0.3

Product list

Type No.	Emitting color
SEL6210S TH12E	High intensity red
SEL6410E TH12E	Green
SEL6510C TH12E	Pure green
SEL6710K TH12E	Yellow
SEL6810A TH12E	Amber
SEL6910A TH12E	Orange
SEL6210S TH10D	High intensity red
SEL6410E TH10D	Green
SEL6510C TH10D	Pure green
SEL6710K TH10D	Yellow
SEL6810A TH10D	Amber
SEL6910A TH10D	Orange
SEL5220S TH8F	High intensity red
SEL5420E TH8F	Green
SEL5520C TH8F	Pure green
SEL5820A TH8F	Amber
SEL5920A TH8F	Orange
SEL5221S TH8F	High intensity red
SEL5421E TH8F	Green
SEL5521C TH8F	Pure green
SEL5821A TH8F	Amber
SEL5921A TH8F	Orange

Quantity per box: 1,200

Recommended dimensions of insertion holes on printed circuit boards (common)



(Po): The cumulative pitch error must be within ±1.0 for 2.0 pitches.