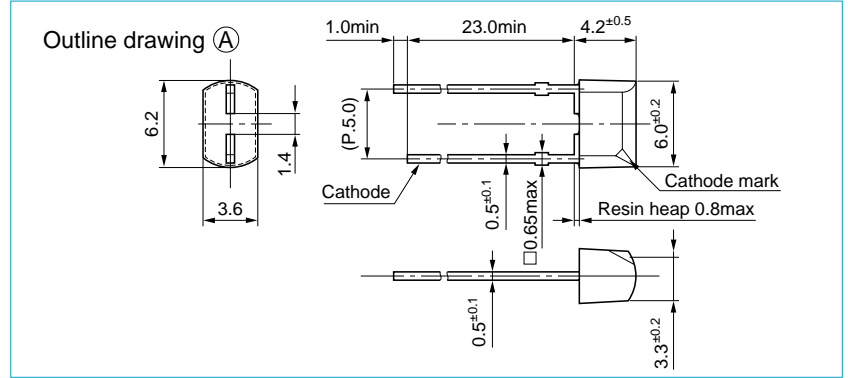
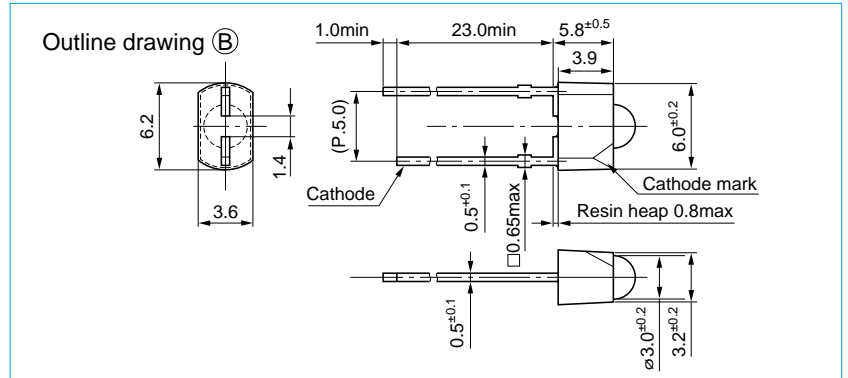


## 5-mm pitch lead contact mount LEDs (for automatic insertion)

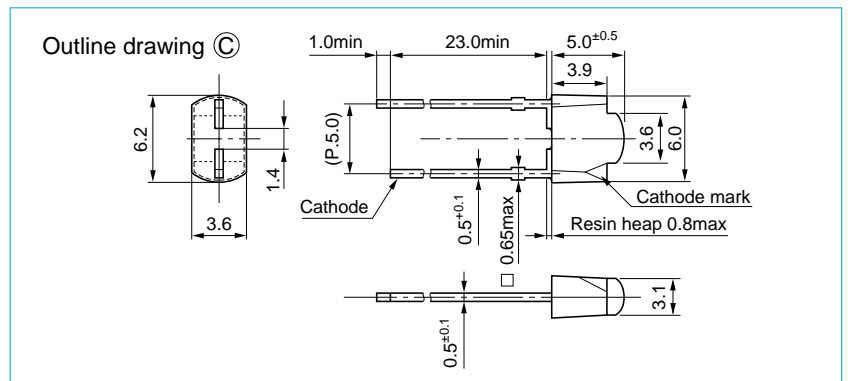
### SEL5020 series (Flat type)



### SEL5021 series (∅3 lens type)

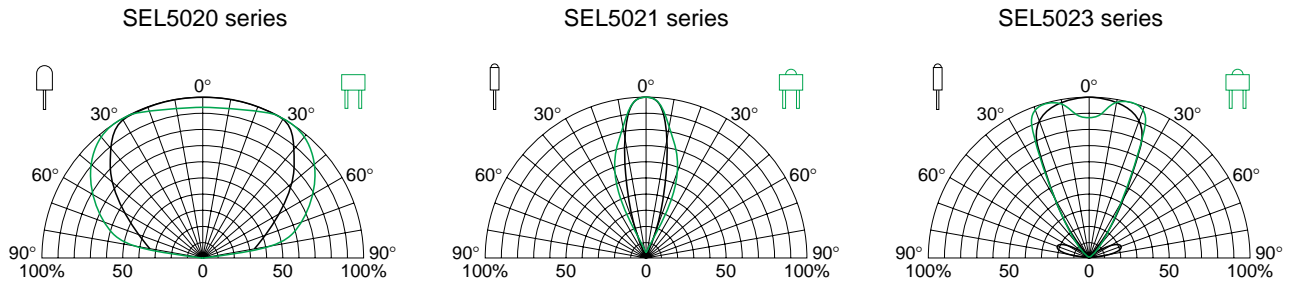


### SEL5023 series (Bow-lens type)



External dimensions: Unit: mm Tolerance: ±0.3

## Viewing angle



## Absolute maximum ratings (Ta=25°C)

| Symbol          | Unit | Ratings     |
|-----------------|------|-------------|
| I <sub>F</sub>  | mA   | 30          |
| I <sub>FP</sub> | mA   | 100         |
| V <sub>R</sub>  | V    | 3           |
| Top             | °C   | -30 to +85  |
| Tstg            | °C   | -30 to +100 |

| Type No. | Display form<br>(ø: mm) | Type of lens                | Emitting color     | Electro-optical characteristics (Ta=25°C) |     |                               |                     |                              |                      |                               |                     |        | Outline drawing |
|----------|-------------------------|-----------------------------|--------------------|---|-----|-------------------------------|---------------------|------------------------------|----------------------|-------------------------------|---------------------|--------|-----------------|
|          |                         |                             |                    | V <sub>F</sub> (V)                        |     | Condition I <sub>F</sub> (mA) | I <sub>R</sub> (μA) | Condition V <sub>R</sub> (V) | I <sub>V</sub> (mcd) |                               | λ <sub>p</sub> (nm) | Δλ typ |                 |
|          |                         |                             |                    | typ                                       | max |                               |                     |                              | typ                  | Condition I <sub>F</sub> (mA) |                     |        |                 |
| SEL5220S | 3.3×6                   | Red tinted, non-diffused    | High intensity red | 1.9                                       | 2.5 | 10                            | 50                  | 3                            | 2.8                  | 20                            | 630                 | 35     | Ⓐ               |
| SEL5420E | 3.3×6                   | Green tinted, non-diffused  | Green              | 2.0                                       |     |                               |                     |                              | 6.8                  |                               | 560                 | 20     |                 |
| SEL5520C | 3.3×6                   | Un-tinted, non-diffused     | Pure green         | 1.9                                       |     |                               |                     |                              | 2.4                  |                               | 555                 | 35     |                 |
| SEL5820A | 3.3×6                   | Orange tinted, non-diffused | Amber              | 1.9                                       |     |                               |                     |                              | 6.0                  |                               | 610                 | 33     |                 |
| SEL5920A | 3.3×6                   | Orange tinted, non-diffused | Orange             | 1.9                                       | 4.4 | 587                           | 33                  |                              |                      |                               |                     |        |                 |
| SEL5221S | ø3                      | Red tinted, non-diffused    | High intensity red | 1.9                                       | 2.5 | 10                            | 50                  | 3                            | 14                   | 20                            | 630                 | 35     | Ⓑ               |
| SEL5421E | ø3                      | Green tinted, non-diffused  | Green              | 2.0                                       |     |                               |                     |                              | 36                   |                               | 560                 | 20     |                 |
| SEL5521C | ø3                      | Un-tinted, non-diffused     | Pure green         | 1.9                                       |     |                               |                     |                              | 14                   |                               | 555                 | 35     |                 |
| SEL5821A | ø3                      | Orange tinted, non-diffused | Amber              | 1.9                                       |     |                               |                     |                              | 22                   |                               | 610                 | 33     |                 |
| SEL5921A | ø3                      | Orange tinted, non-diffused | Orange             | 1.9                                       | 22  | 587                           | 33                  |                              |                      |                               |                     |        |                 |
| SEL5223S | 3.1×3.6                 | Red tinted, non-diffused    | High intensity red | 1.9                                       | 2.5 | 10                            | 50                  | 3                            | 6                    | 20                            | 630                 | 35     | Ⓒ               |
| SEL5423E | 3.1×3.6                 | Green tinted, non-diffused  | Green              | 2.0                                       |     |                               |                     |                              | 14                   |                               | 560                 | 20     |                 |
| SEL5823A | 3.1×3.6                 | Orange tinted, non-diffused | Amber              | 1.9                                       |     |                               |                     |                              | 9                    |                               | 610                 | 35     |                 |
| SEL5923A | 3.1×3.6                 | Orange tinted, non-diffused | Orange             | 1.9                                       |     |                               |                     |                              | 9                    |                               | 587                 | 33     |                 |



