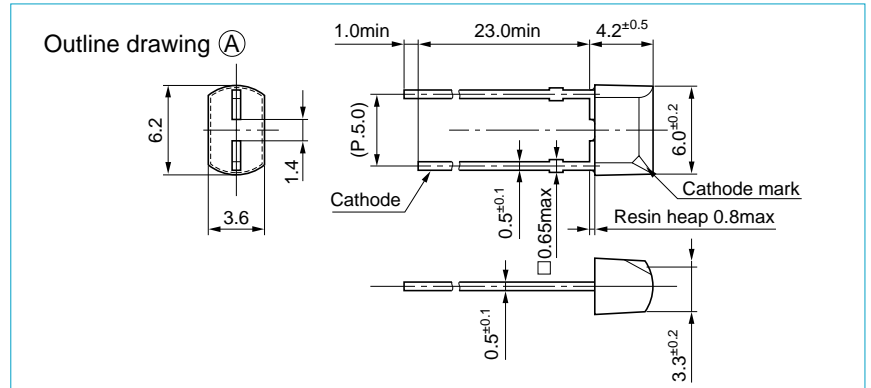
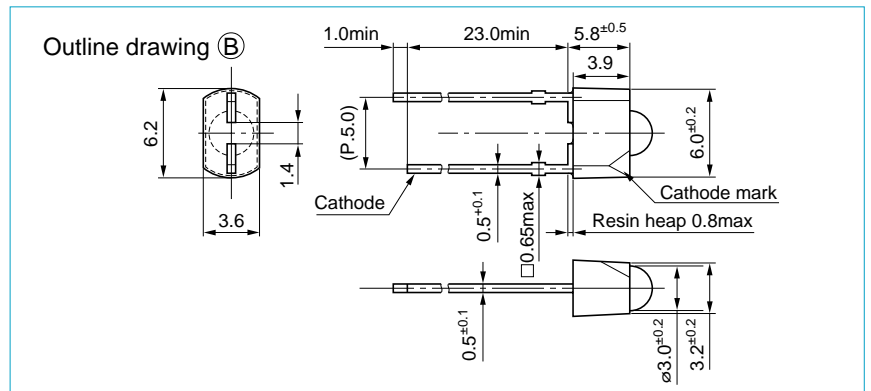


# 5-mm pitch lead contact mount LEDs (for automatic insertion)

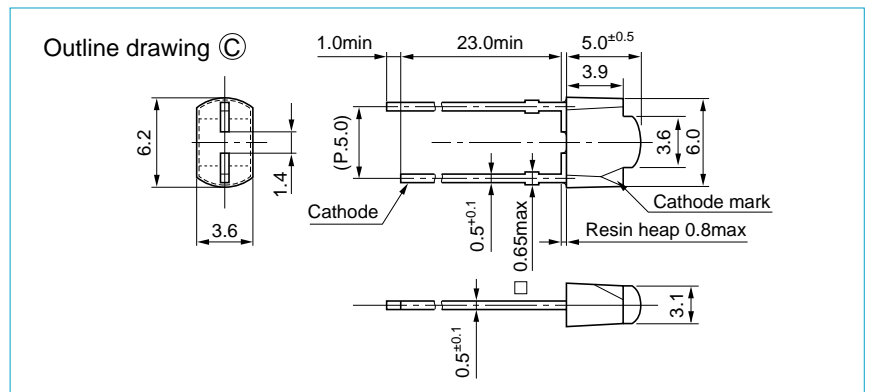
## SEL5020 series (Flat type)



## SEL5021 series (ø3 lens type)

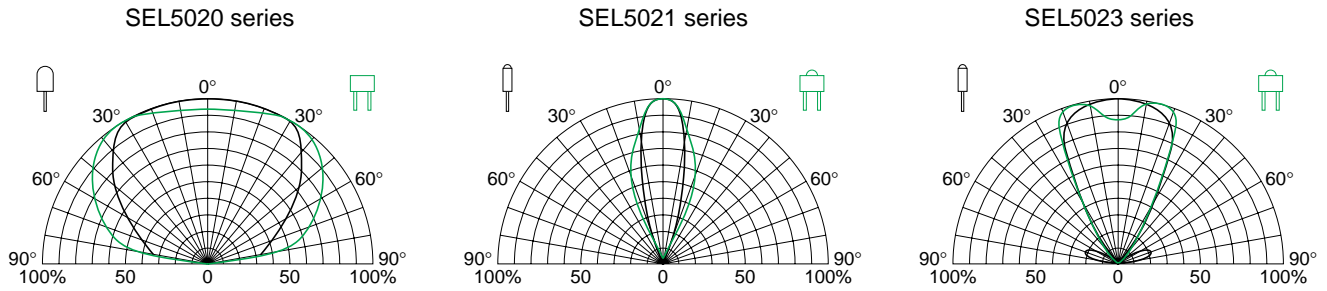


## SEL5023 series (Bow-lens type)



External dimensions: Unit: mm Tolerance: ±0.3

## Viewing angle



## Absolute maximum ratings (Ta=25°C)

Symbol	Unit	Ratings
$I_F$	mA	30
$I_{FP}$	mA	100
$V_R$	V	3
Top	°C	-30 to +85
Tstg	°C	-30 to +100

Type No.	Display form ( $\phi$ : mm)	Type of lens	Emitting color	Electro-optical characteristics (Ta=25°C)									Outline drawing
				$V_F$ (V)		Condition $I_F$ (mA)	$I_R$ ( $\mu$ A)	Condition $V_R$ (V)	$I_v$ (mcd)		$\lambda_p$ (nm)	$\Delta\lambda$ (nm)	
				typ	max				typ	Condition $I_F$ (mA)			
SEL5220S	3.3×6	Red tinted, non-diffused	High intensity red	1.9	2.5	10	50	3	2.8	20	630	35	Ⓐ
SEL5420E	3.3×6	Green tinted, non-diffused	Green	2.0					6.8		560	20	
SEL5520C	3.3×6	Un-tinted, non-diffused	Pure green	2.0					2.4		555	20	
SEL5820A	3.3×6	Orange tinted, non-diffused	Amber	1.9					6.0		610	35	
SEL5920A	3.3×6	Orange tinted, non-diffused	Orange	1.9					4.4		587	33	
SEL5221S	$\phi$ 3	Red tinted, non-diffused	High intensity red	1.9	2.5	10	50	3	14	20	630	35	Ⓑ
SEL5421E	$\phi$ 3	Green tinted, non-diffused	Green	2.0					36		560	20	
SEL5521C	$\phi$ 3	Un-tinted, non-diffused	Pure green	2.0					14		555	20	
SEL5821A	$\phi$ 3	Orange tinted, non-diffused	Amber	1.9					22		610	35	
SEL5921A	$\phi$ 3	Orange tinted, non-diffused	Orange	1.9					22		587	33	
SEL5223S	3.1×3.6	Red tinted, non-diffused	High intensity red	1.9	2.5	10	50	3	6	20	630	35	Ⓒ
SEL5423E	3.1×3.6	Green tinted, non-diffused	Green	2.0					14		560	20	
SEL5823A	3.1×3.6	Orange tinted, non-diffused	Amber	2.0					9		610	35	
SEL5923A	3.1×3.6	Orange tinted, non-diffused	Orange	1.9					9		587	33	