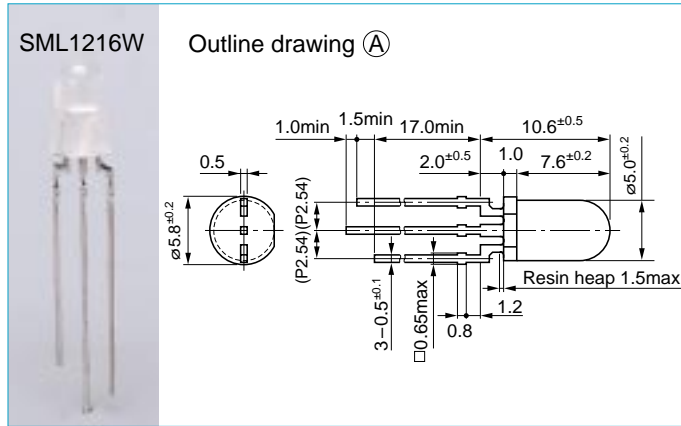
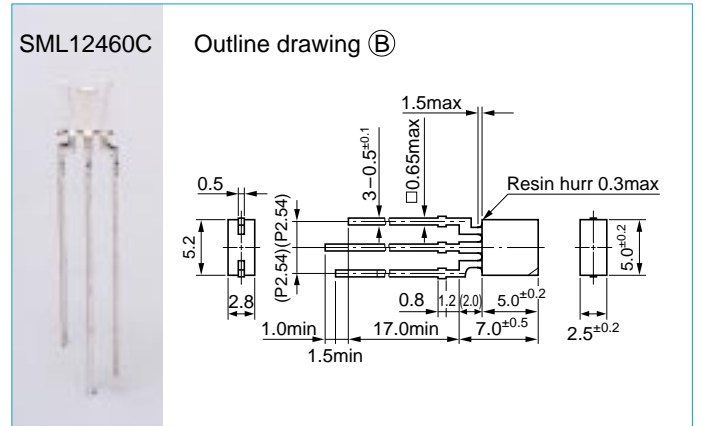


Bicolor LEDs

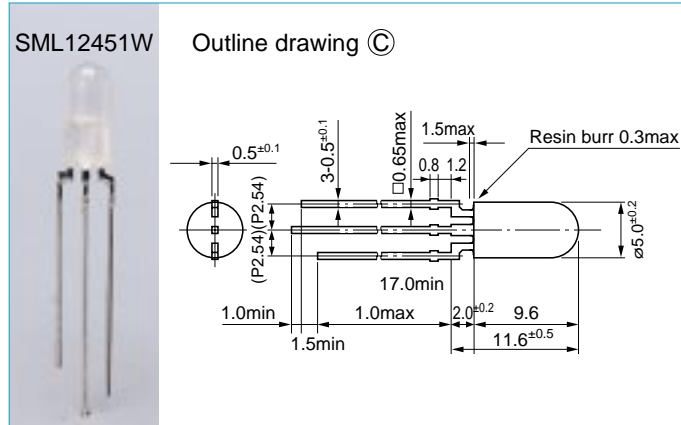
■ SML1016 series (Standard type)



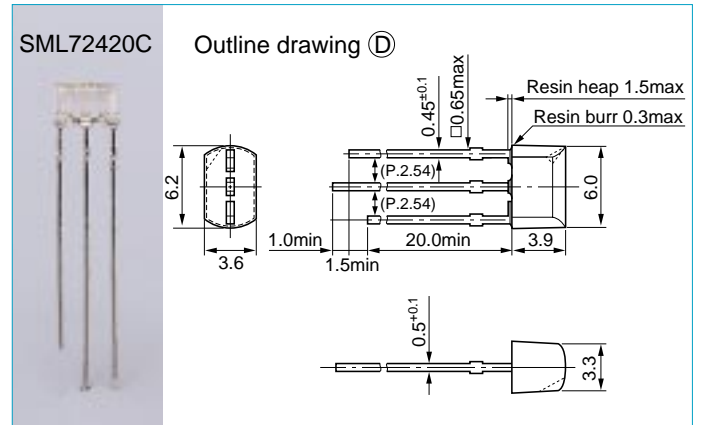
■ SML10060 series (Square type)



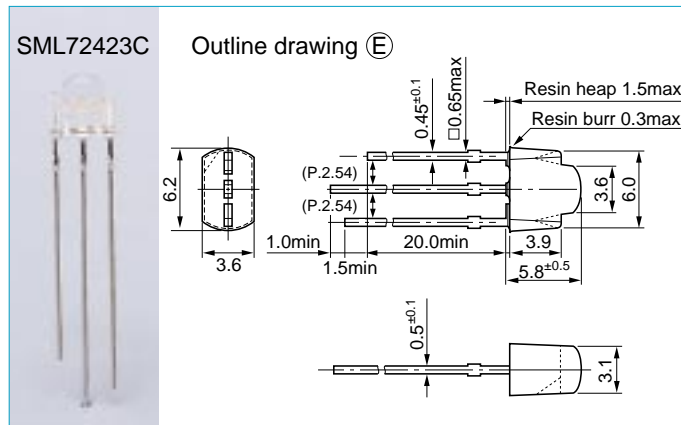
■ SML10051 series (Tricolor type)



■ SML70020 series (Flat lens type for contact mounting)



■ SML70023 series (Bow-lens type for contact mounting)

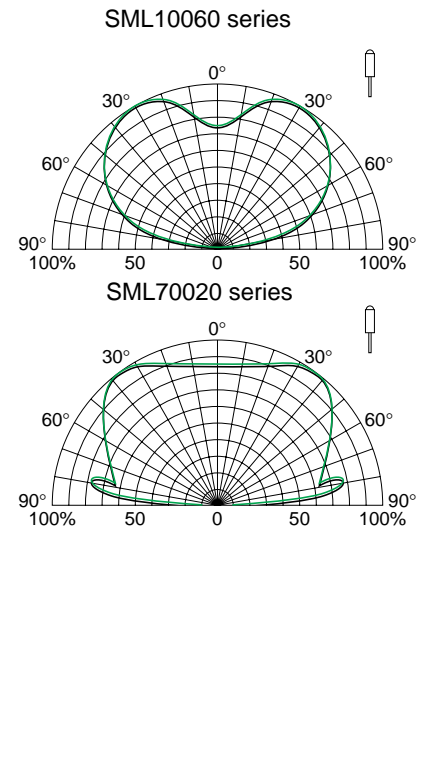
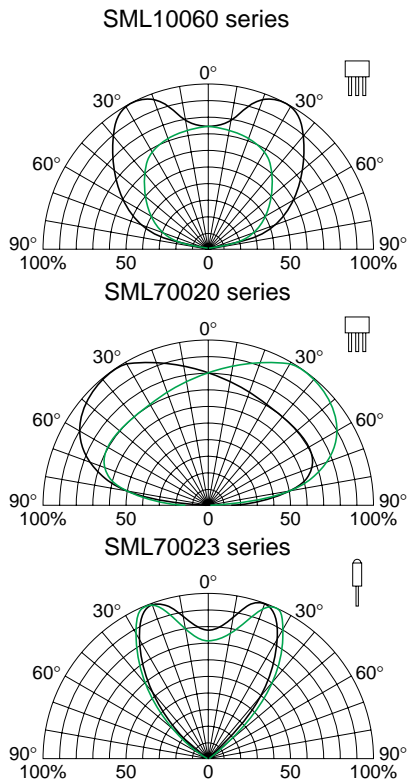
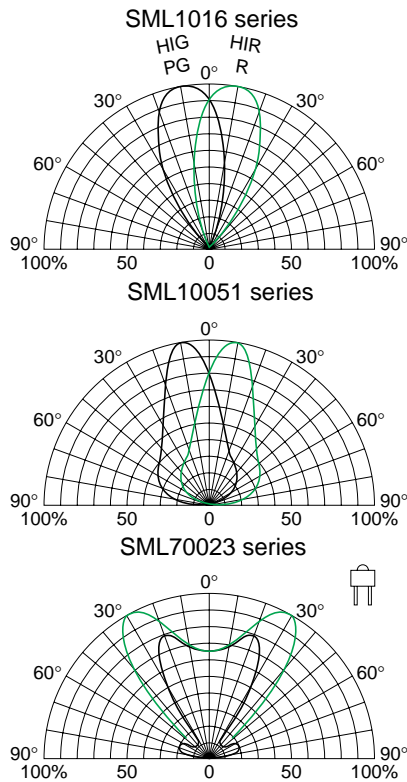


■ External dimensions: Unit: mm Tolerance: ±0.3

Absolute maximum ratings (Ta=25°C)

Symbol	Unit	Rated
P _D	mW	75
I _F	mA	100
I _{FP}	mA	100
V _R	V	4
Top	°C	-30 to +85
Tstg	°C	-30 to +100

Viewing angle



Electro-optical characteristics (Ta=25°C)

Type No.		Emitting color	Electro-optical characteristics (Ta=25°C)								Outline drawing					
			V _F (V)		Condition I _F (mA)	I _R (μA)	Condition V _R (V)	I _v (mcd)		λ _p (nm)		Δλ				
			typ	max				typ	Condition I _F (mA)							
SML1016 series	SML1216W	High intensity red	1.9	2.5	10	10	4	40	20	630	35	Ⓐ				
		Green	2.0							560	20					
	SML1816W	Amber	1.9							610	35					
		Green	2.0							560	20					
	SML19416W	Orange	1.9							587	33					
		Green	2.0							560	20					
SML10060 series	SML12460C	High intensity red	1.9	2.5	10	10	4	10	20	630	35	Ⓑ				
		Green	2.0					20		560	20					
	SML19460C	Orange	1.9					10		587	33					
		Green	2.0					20		560	20					
SML10051 series	SML12451W	High intensity red	1.9	2.5	10	10	4	40	20	630	35	Ⓒ				
		Green	2.0					560		20						
	SML18451W	Amber	1.9					610		35						
		Green	2.0					560		20						
Anode common series	SML16760CN	Ultra-high intensity red	1.7	10	10	4	20	50	20	660	30	Ⓑ				
		Yellow	2.4							3.0	570		40			
	SML16751WN	Ultra-high intensity red	1.7							2.2	40	50	20	660	30	Ⓒ
		Yellow	2.4							3.0				570	40	
SML70020 series (for contact mounting)	SML72420C	High intensity red	1.9	2.5	10	10	4	10	20	630				35	Ⓓ	
		Green	2.0					20		560				20		
	SML78420C	Amber	1.9					610		35						
		Green	2.0					560		20						
	SML79420C	Orange	1.9					587		33						
		Green	2.0					560		20						
SML70023 series (for contact mounting)	SML72423C	High intensity red	1.9	2.5	10	10	4	10	20	630	35	Ⓔ				
		Green	2.0					20		560	20					
	SML78423C	Amber	1.9					610		35						
		Green	2.0					560		20						
	SML79423C	Orange	1.9					587		33						
		Green	2.0					560		20						