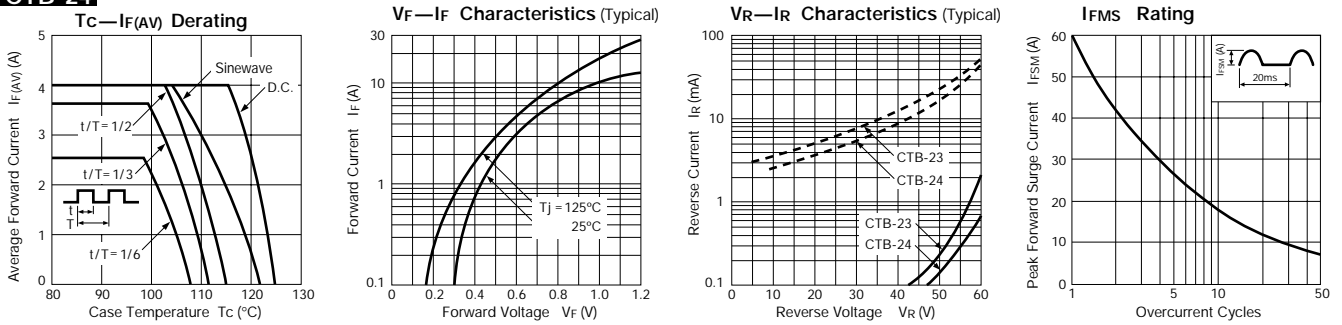


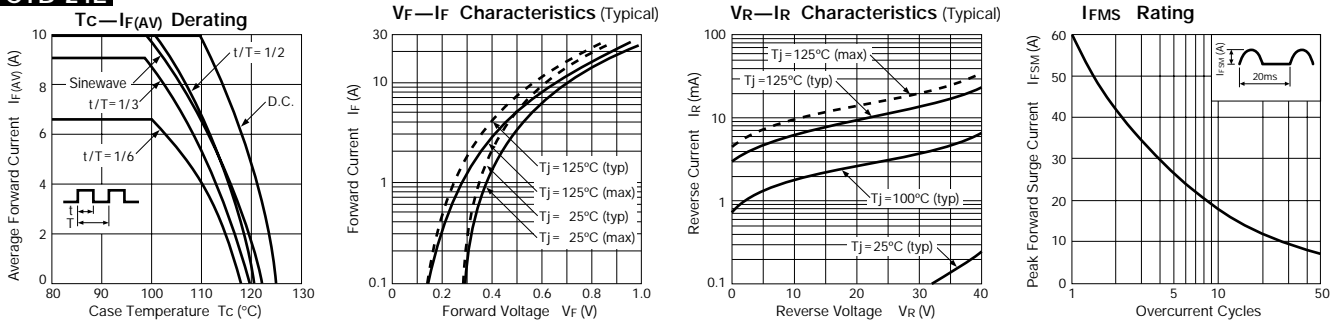
# Schottky Barrier Diodes (Center-tap) 40V

Parameter Type No.	Absolute Maximum Ratings					Electrical Characteristics (Ta=25°C)						Others	
	V <sub>RM</sub> (V)	I <sub>F(AV)</sub> (A) With Heatsink	I <sub>FSM</sub> (A) 50Hz Half-cycle Sinewave Single Shot	T <sub>J</sub> (°C)	T <sub>stg</sub> (°C)	V <sub>F</sub> (V) max per element	I <sub>R</sub> (mA)	I <sub>R</sub> (H) (mA) V <sub>R</sub> =V <sub>RM</sub> , Ta=100°C max per element	trr (ns)	I <sub>F</sub> /I <sub>RP</sub> (mA)	R <sub>th(j-c)</sub> (°C/W)	Mass (g)	Fig.
CTB-24	40	4.0	60	-40 to +150	0.55	2.0	5.0	50	200	100/100	3.0	2.6	Ⓐ
CTB-24L		10.0				5.0							
CTB-34		15.0	10.0			65	100	500/500		1.5	6.1	Ⓑ	
CTB-34M		30.0	15.0			100							

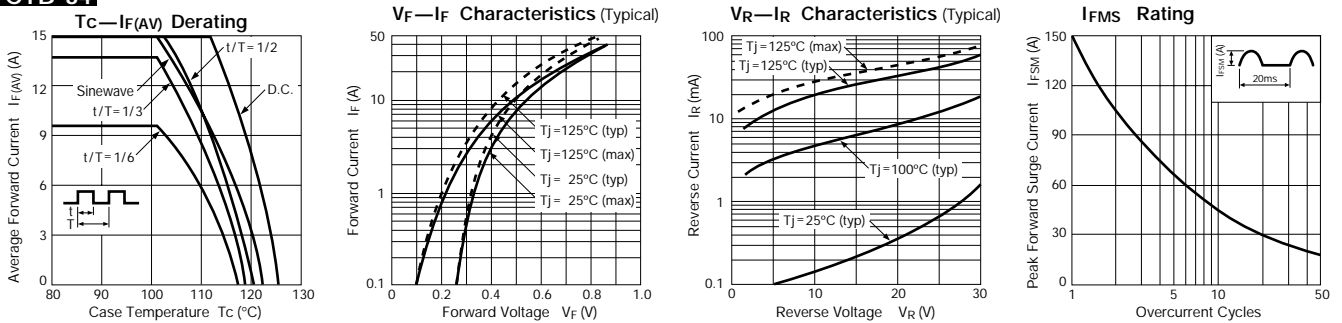
## CTB-24



## CTB-24L

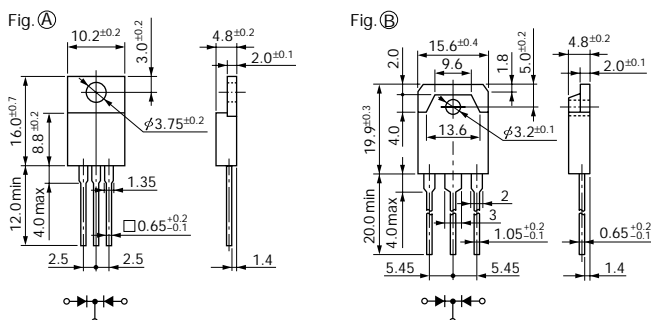


## CTB-34



## External Dimensions (Unit: mm)

Flammability:  
UL94V-0 or Equivalent



**CTB-34M**

