

# Power Surface Mount 90V, 20A Schottky barrier diode in TO220S package

## MPE-29G

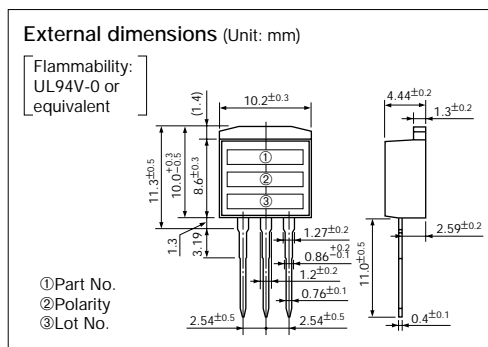
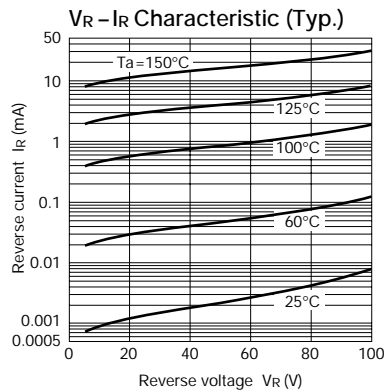
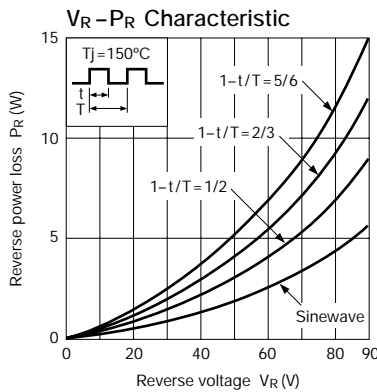
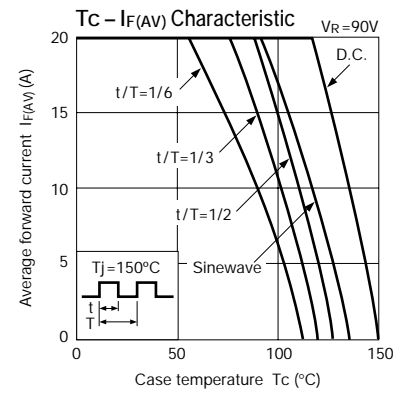
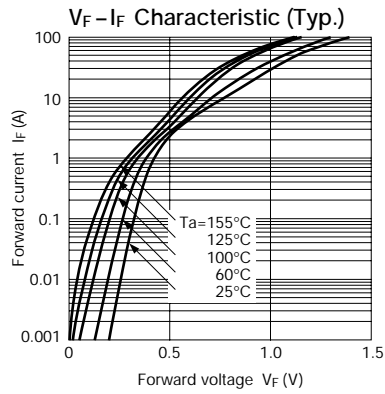
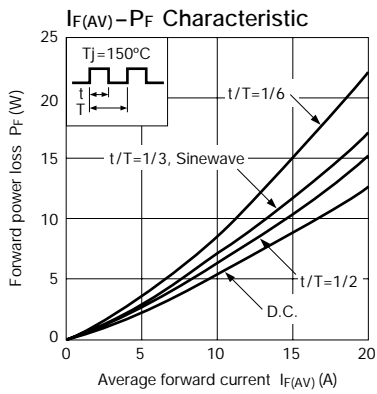
### Absolute maximum ratings

Parameter	Ratings	Unit	Conditions
$V_{RM}$	90	V	
$I_{F(AV)}$	20	A	
$I_{FSM}$	120	A	10ms Half-cycle sinewave Single Shot
$I^2t$	72	A <sup>2</sup> s	
$T_J$	-40 to +150	°C	
$T_{stg}$	-40 to +150	°C	

### Electrical characteristics

( $T_a=25^\circ\text{C}$ )

Parameter	Ratings	Unit	Conditions
$V_F$	0.85max	V	$I_F=10\text{A}$
$I_R$	1.0max	mA	$V_R=V_{RM}$
H.I.R	100max	mA	$T_J=150^\circ\text{C}$ , $V_R=V_{RM}$
$R_{th(j-c)}$	2.5max	°C/W	Junction-to-case



### Reference data

