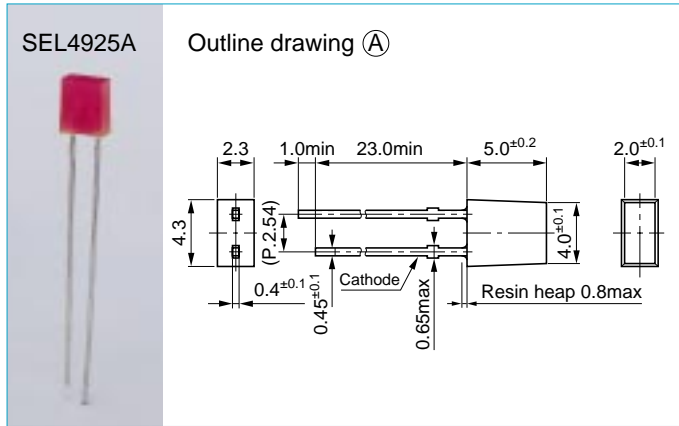
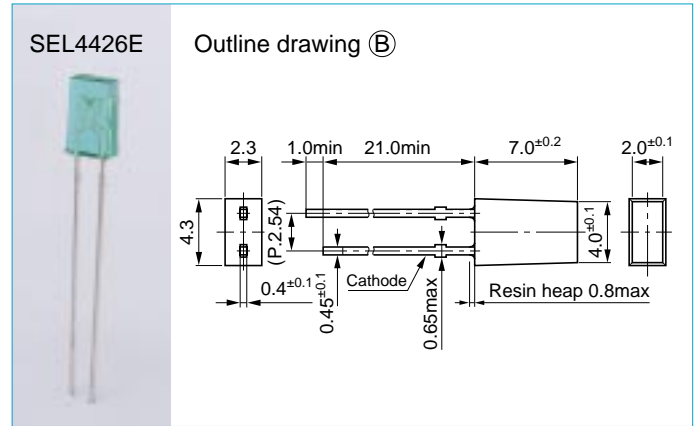


Square display LEDs

SEL4025 series



SEL4026 series



External dimensions: Unit: mm Tolerance: ±0.3

Absolute maximum ratings (Ta=25°C)

Symbol	Unit	Ratings
I _F	mA	30
I _{FP}	mA	100
V _R	V	3
Top	°C	-30 to +85
Tstg	°C	-30 to +100

The LED chip in the SEL4026 series is located 5 mm above the bottom surface of the resin; Thus, it has superior heat resistance making it ideal for contact mounting.

Type No.	Display form (ø: mm)	Type of lens	Emitting color	Electro-optical characteristics (Ta=25°C)								Outline drawing	
				V _F (V)		Condition I _F (mA)	I _R (μA)	Condition V _R (V)	I _v (mcd)	Condition I _F (mA)	λ _p (nm)		Δλ (nm)
				typ	max								
SEL4225C	2x4	Un-tinted, non-diffused	High intensity red	1.9	2.5	10	50	3	10.0	20	630	35	A
SEL4225R	2x4	Red tinted, diffused							5.0				
SEL4425E	2x4	Green tinted, non-diffused	Green	2.0	2.5	10	50	3	15.0	10	560	20	
SEL4425G	2x4	Green tinted, diffused							10.0				
SEL4725K	2x4	Yellow tinted, non-diffused	Yellow	2.0	2.5	10	50	3	10.6	10	570	40	
SEL4725Y	2x4	Yellow tinted, diffused							6.0				
SEL4825A	2x4	Orange tinted, non-diffused	Amber	1.9	2.5	10	50	3	5.0	10	610	35	
SEL4825D	2x4	Orange tinted, diffused							3.0				
SEL4925A	2x4	Orange tinted, non-diffused	Orange	1.9	2.5	10	50	3	5.0	10	587	33	
SEL4925D	2x4	Orange tinted, diffused							3.0				
SEL4226C	2x4	Un-tinted, non-diffused	High intensity red	1.9	2.5	10	50	3	10.0	20	630	35	B
SEL4226R	2x4	Red tinted, diffused							5.0				
SEL4426E	2x4	Green tinted, non-diffused	Green	2.0	2.5	10	50	3	15.0	10	560	20	
SEL4426G	2x4	Green tinted, diffused							10.0				
SEL4726K	2x4	Yellow tinted, non-diffused	Yellow	2.0	2.5	10	50	3	10.6	10	570	40	
SEL4726Y	2x4	Yellow tinted, diffused							6.0				
SEL4826A	2x4	Orange tinted, non-diffused	Amber	1.9	2.5	10	50	3	5.0	10	610	35	
SEL4826D	2x4	Orange tinted, diffused							3.0				
SEL4926A	2x4	Orange tinted, non-diffused	Orange	1.9	2.5	10	50	3	5.0	10	587	33	
SEL4926D	2x4	Orange tinted, diffused							3.0				