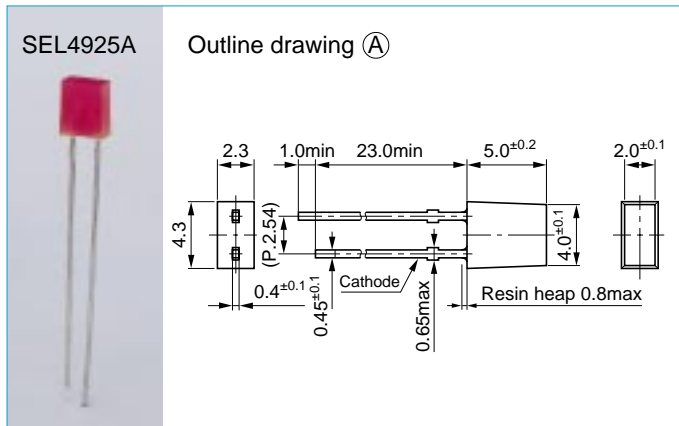
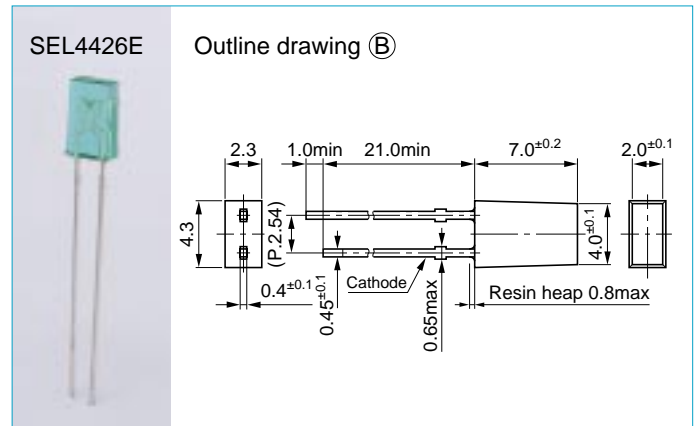


Square display LEDs

SEL4025 series



SEL4026 series



External dimensions: Unit: mm Tolerance: ± 0.3

Absolute maximum ratings (Ta=25°C)

| Symbol | Unit | Ratings |
|-----------------|------|-------------|
| I _F | mA | 30 |
| I _{FP} | mA | 100 |
| V _R | V | 3 |
| Top | °C | -30 to +85 |
| Tstg | °C | -30 to +100 |

The LED chip in the SEL4026 series is located 5 mm above the bottom surface of the resin; Thus, it has superior heat resistance making it ideal for contact mounting.

| Type No. | Display form (ϕ : mm) | Type of lens | Emitting color | Electro-optical characteristics (Ta=25°C) | | | | | | | | Outline drawing | |
|----------|--------------------------------|-----------------------------|--------------------|---|-----|-------------------------------|---------------------------|------------------------------|----------------------|-------------------------------|------------------|-----------------|----------------------|
| | | | | V _F (V) | | Condition I _F (mA) | I _R (μ A) | Condition V _R (V) | I _v (mcd) | Condition I _F (mA) | λ_p (nm) | | $\Delta\lambda$ (nm) |
| | | | | typ | max | | | | | | | | |
| SEL4225C | 2x4 | Un-tinted, non-diffused | High intensity red | 1.9 | 2.5 | 10 | 50 | 3 | 10.0 | 20 | 630 | 35 | A |
| SEL4225R | 2x4 | Red tinted, diffused | | | | | | | 5.0 | | | | |
| SEL4425E | 2x4 | Green tinted, non-diffused | Green | 2.0 | 2.5 | 10 | 50 | 3 | 15.0 | 10 | 560 | 20 | |
| SEL4425G | 2x4 | Green tinted, diffused | | | | | | | 10.0 | | | | |
| SEL4725K | 2x4 | Yellow tinted, non-diffused | Yellow | 2.0 | 2.5 | 10 | 50 | 3 | 10.6 | 10 | 570 | 40 | |
| SEL4725Y | 2x4 | Yellow tinted, diffused | | | | | | | 6.0 | | | | |
| SEL4825A | 2x4 | Orange tinted, non-diffused | Amber | 1.9 | 2.5 | 10 | 50 | 3 | 5.0 | 10 | 610 | 35 | |
| SEL4825D | 2x4 | Orange tinted, diffused | | | | | | | 3.0 | | | | |
| SEL4925A | 2x4 | Orange tinted, non-diffused | Orange | 1.9 | 2.5 | 10 | 50 | 3 | 5.0 | 10 | 587 | 33 | |
| SEL4925D | 2x4 | Orange tinted, diffused | | | | | | | 3.0 | | | | |
| SEL4226C | 2x4 | Un-tinted, non-diffused | High intensity red | 1.9 | 2.5 | 10 | 50 | 3 | 10.0 | 20 | 630 | 35 | B |
| SEL4226R | 2x4 | Red tinted, diffused | | | | | | | 5.0 | | | | |
| SEL4426E | 2x4 | Green tinted, non-diffused | Green | 2.0 | 2.5 | 10 | 50 | 3 | 15.0 | 10 | 560 | 20 | |
| SEL4426G | 2x4 | Green tinted, diffused | | | | | | | 10.0 | | | | |
| SEL4726K | 2x4 | Yellow tinted, non-diffused | Yellow | 2.0 | 2.5 | 10 | 50 | 3 | 10.6 | 10 | 570 | 40 | |
| SEL4726Y | 2x4 | Yellow tinted, diffused | | | | | | | 6.0 | | | | |
| SEL4826A | 2x4 | Orange tinted, non-diffused | Amber | 1.9 | 2.5 | 10 | 50 | 3 | 5.0 | 10 | 610 | 35 | |
| SEL4826D | 2x4 | Orange tinted, diffused | | | | | | | 3.0 | | | | |
| SEL4926A | 2x4 | Orange tinted, non-diffused | Orange | 1.9 | 2.5 | 10 | 50 | 3 | 5.0 | 10 | 587 | 33 | |
| SEL4926D | 2x4 | Orange tinted, diffused | | | | | | | 3.0 | | | | |