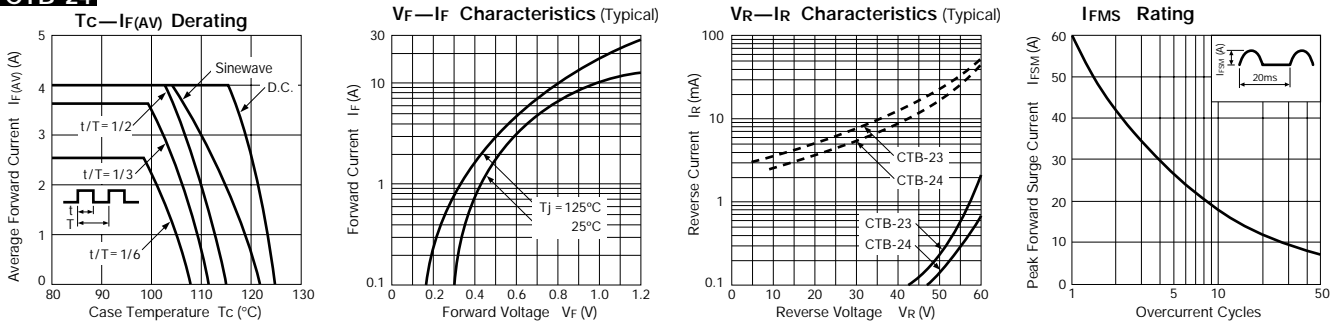


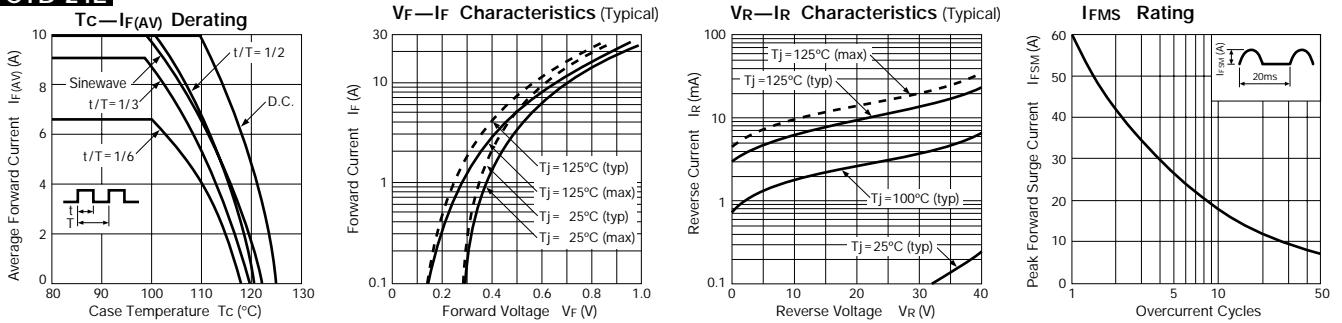
Schottky Barrier Diodes (Center-tap) 40V

| Parameter Type No. | Absolute Maximum Ratings | | | | | Electrical Characteristics (Ta=25°C) | | | | | | Others | | | | |
|-----------------------|--------------------------|---|---|---------------------|-----------------------|---------------------------------------|---|--|----------|--------------------------------------|-----------------------------|----------|------|-----|-----|---|
| | V _{RM} (V) | I _{F(AV)} (A) With Heatsink | I _{FSM} (A) 50Hz Half-cycle Sinewave Single Shot | T _J (°C) | T _{stg} (°C) | V _F (V) max per element | I _R (mA) V _R =V _{RM} max per element | I _R (H) (mA) V _R =V _{RM} , Ta=100°C max per element | trr (ns) | I _F /I _{RP} (mA) | R _{th(j-c)} (°C/W) | Mass (g) | Fig. | | | |
| | | | | | | | | | | | | | | | | |
| CTB-24 | 40 | 4.0 | 60 | -40 to +150 | 0.55 | 2.0 | 5.0 | 50 | 200 | 100/100 | 3.0 | 2.6 | Ⓐ | | | |
| CTB-24L | | 10.0 | | | | 5.0 | | | | | | | | 35 | | |
| CTB-34 | | 15.0 | 10.0 | | | 65 | 100 | 500/500 | | | | | | 1.5 | 6.1 | Ⓑ |
| CTB-34M | | 30.0 | 15.0 | | | 100 | | | | | | | | | | |

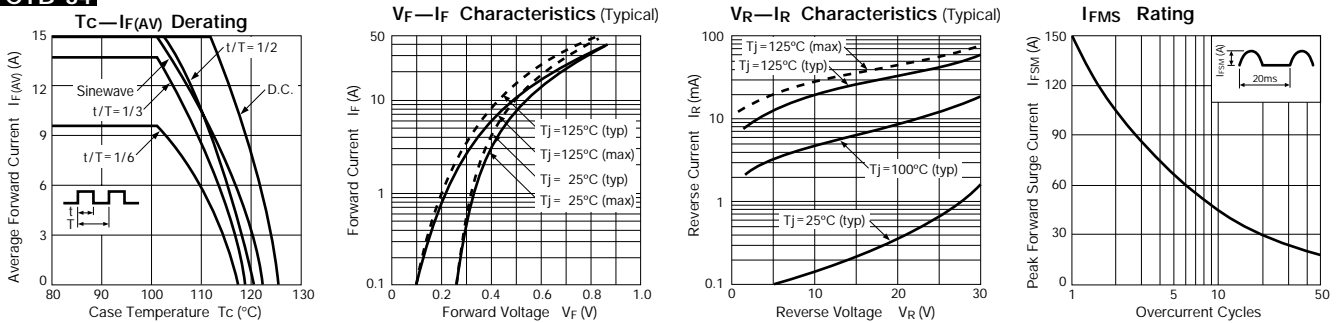
CTB-24



CTB-24L

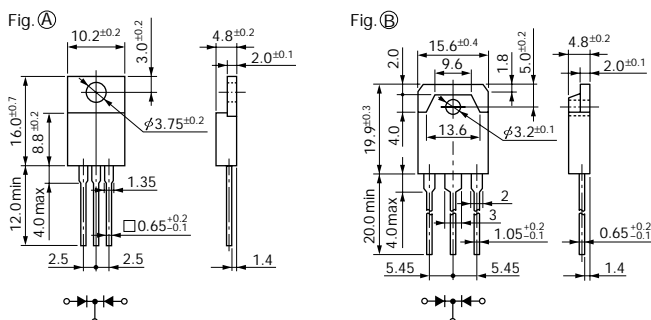


CTB-34



External Dimensions (Unit: mm)

Flammability:
UL94V-0 or Equivalent



CTB-34M

