

# Schottky Barrier Diodes (Surface Mount) 30V

Parameter Type No.	Absolute Maximum Ratings					Electrical Characteristics (Ta=25°C)					Others	
	V <sub>RM</sub> (V)	I <sub>F</sub> (AV) (A)	I <sub>FSM</sub> (A) 50Hz Half-cycle Sinewave Single Shot	T <sub>J</sub> (°C)	T <sub>stg</sub> (°C)	V <sub>F</sub> (V) max	I <sub>R</sub> (mA)	I <sub>R</sub> (H) (mA)	R <sub>th</sub> (j-ℓ) (°C/W)	Mass (g)	Fig.	
SFPA-53	30	1.0	30	-40 to +125	0.36	1.0	1.5	70	20.0	0.072	Ⓐ	
SFPA-63		2.0	40									
SFPA-73		3.0	50									
SFPE-63		2.0	40	-40 to +150	0.55	2.0	0.2	20 (T <sub>J</sub> = 150°C)				
SFPJ-53		1.0	30		1.0	1.0	10					
SFPJ-63		2.0	40		0.45	2.0	2.0	20				
SFPJ-73		3.0	50		3.0	3.0	30					

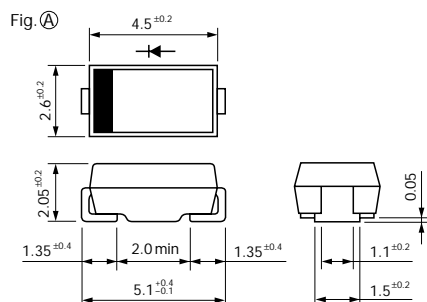
## SFPA-53

## SFPA-63

## SFPA-73

### External Dimensions (Unit: mm)

Flammability:  
UL94V-0 or Equivalent



---

**SFPE-63**

---

**SFPJ-53**

---

**SFPJ-63**

---

**SFPJ-73**

---