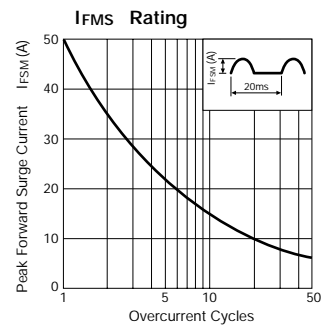


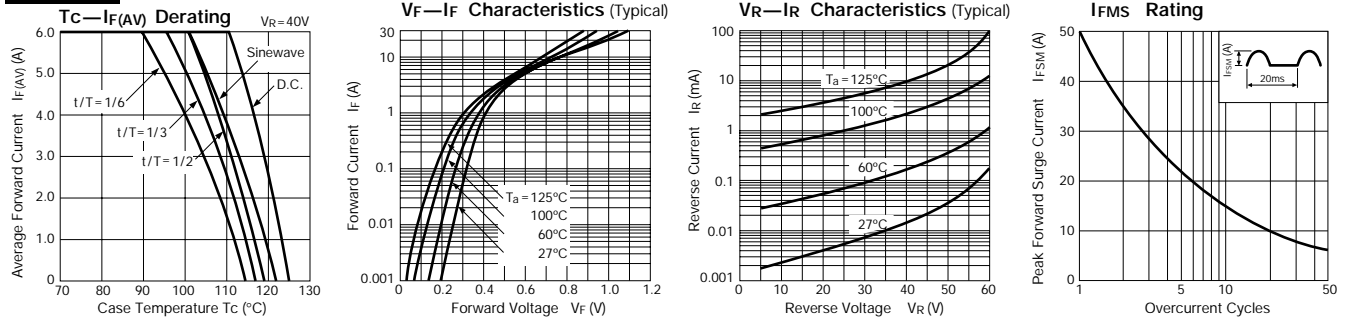
# Schottky Barrier Diodes (Power Surface Mount) 30V, 40V, 60V

Parameter Type No.	Absolute Maximum Ratings					Electrical Characteristics (Ta=25°C)						Others										
	VRM (V)	IF(AV) (A)	IFSM (A) 50Hz Half-cycle Sinewave Single Shot	Tj (°C)	Tstg (°C)	VF (V) max per element	IR (mA) VR=VRM max per element	IR(H) (mA) VR=VRM, Ta=100°C max per element	trr (ns)	If/IRP (mA)	Rth(j-c) (°C/W)	Mass (g)	Remarks	Fig.								
SPJ-63S	30	6.0	50	-40 to +150		0.45	3.0	30 (Tj=125°C)	—	—	5.0	0.29	Center-tap	Ⓐ								
SPB-64S	40	6.0				0.55									3.5	50	100/100	2.5	1.04	Center-tap	Ⓑ	
SPB-G34S		3.0	0.6			7.5	50 (Tj=150°C)	—	—													
SPB-G54S		5.0	60			0.7				5.0			3.0	50	100/100							5.0
MPE-24H		15.0	100																			
SPB-G56S	60	6.0	60																			

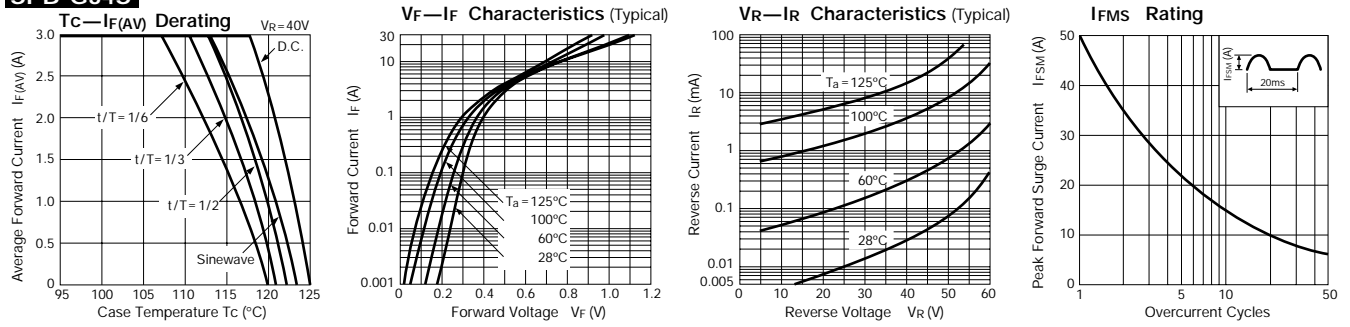
## SPJ-63S



## SPB-64S

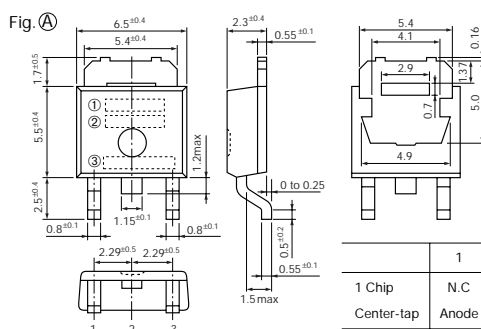


## SPB-G34S

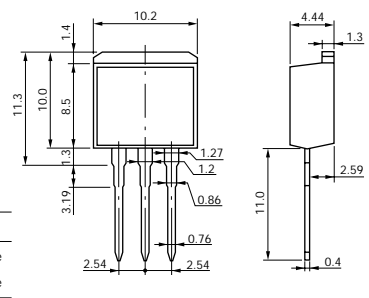


## External Dimensions (Unit: mm)

Flammability:  
UL94V-0 or Equivalent



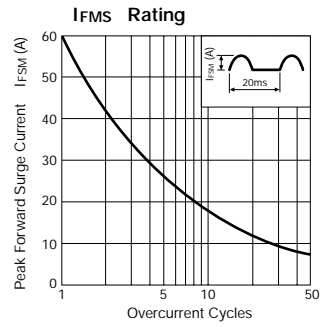
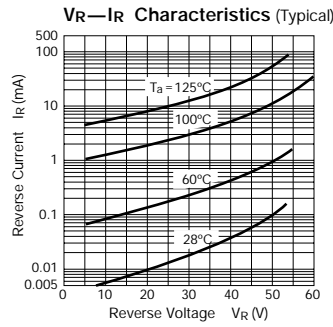
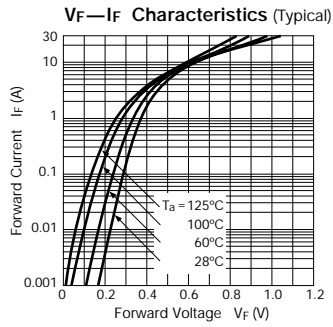
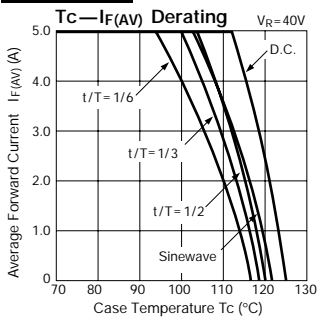
## Fig. B



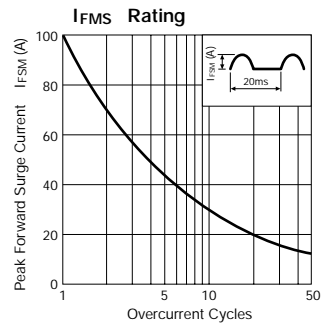
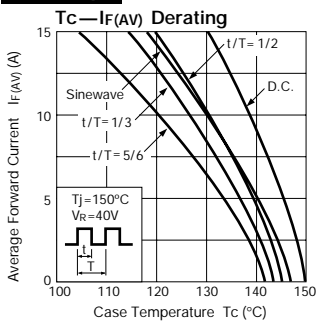
- ① Type No.
- ② Polarity
- ③ Lot No.

	1	2 (Common to backside of case)	3
1 Chip	N.C	Cathode	Anode
Center-tap	Anode	Cathode (Common)	Anode

**SPB-G54S**



**MPE-24H**



**SPB-G56S**

