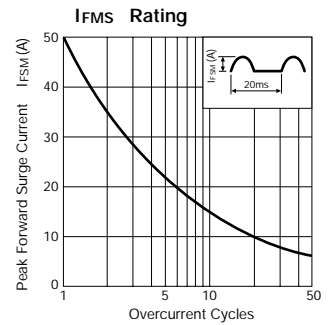


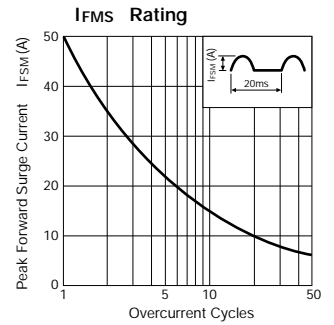
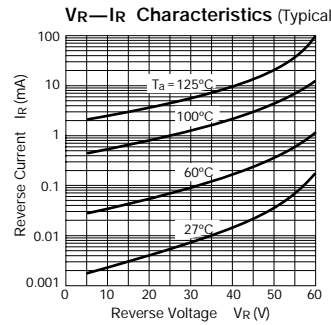
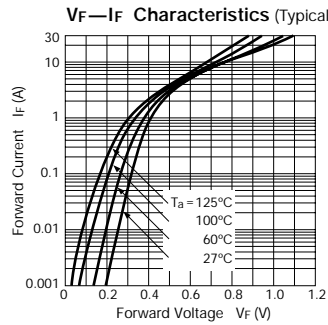
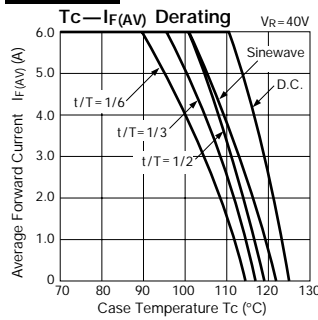
# Schottky Barrier Diodes (Power Surface Mount) 30V, 40V, 60V

Parameter Type No.	Absolute Maximum Ratings					Electrical Characteristics (Ta=25°C)						Others			
	V <sub>RM</sub> (V)	I <sub>F(AV)</sub> (A)	I <sub>FSM</sub> (A) 50Hz Half-cycle Sinewave Single Shot	T <sub>J</sub> (°C)	T <sub>stg</sub> (°C)	V <sub>F</sub> (V) max per element	I <sub>R</sub> (mA)	I <sub>R(H)</sub> (mA) V <sub>R</sub> =V <sub>RM</sub> max per element	I <sub>R(H)</sub> (mA) V <sub>R</sub> =V <sub>RM</sub> , Ta=100°C max per element	t <sub>rr</sub> (ns)	I <sub>F</sub> /I <sub>RP</sub> (mA)	R <sub>th(j-c)</sub> (°C/W)	Mass (g)	Remarks	Fig.
SPJ-63S	30	6.0	50	-40 to +150		0.45	3.0	30 (T <sub>J</sub> =125°C)	—	—	5.0	0.29	Center-tap	Ⓐ	
SPB-64S		6.0													
SPB-G34S		3.0													
SPB-G54S		5.0													
MPE-24H		15.0				100							0.6		7.5
SPB-G56S	60	6.0	60			0.7	5.0	3.0	50	100/100	5.0	0.29	1 Chip	Ⓐ	

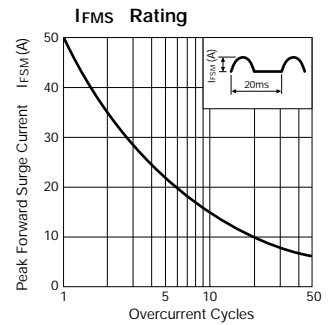
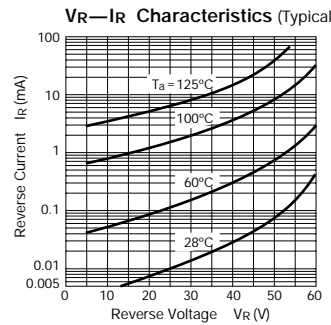
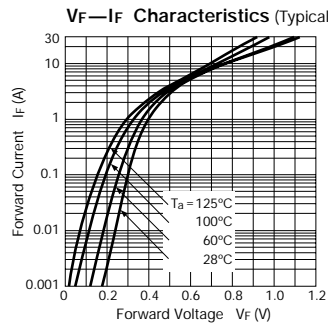
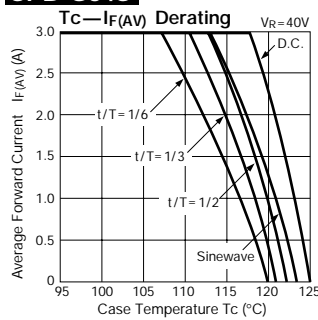
## SPJ-63S



## SPB-64S

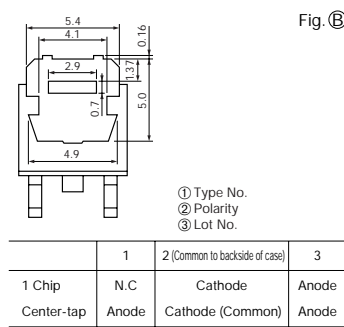
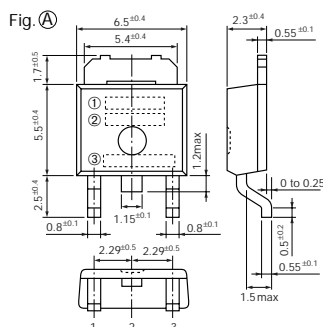


## SPB-G34S



## External Dimensions (Unit: mm)

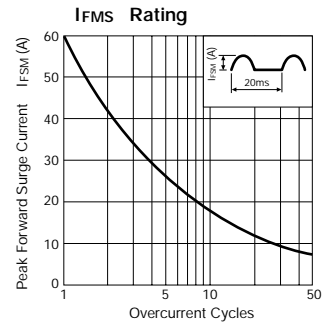
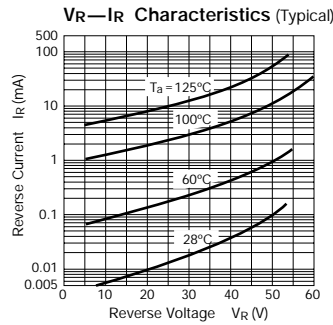
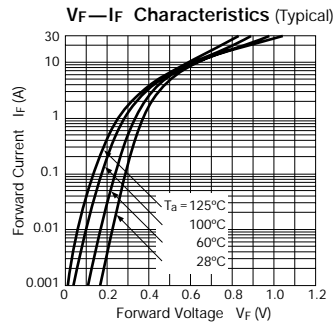
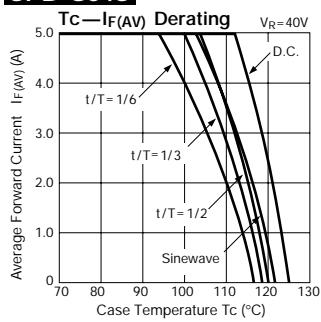
Flammability:  
UL94V-0 or Equivalent



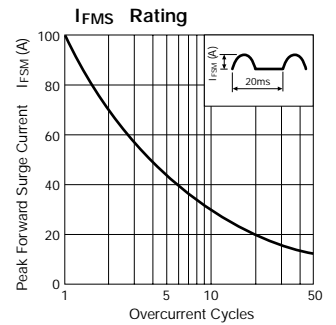
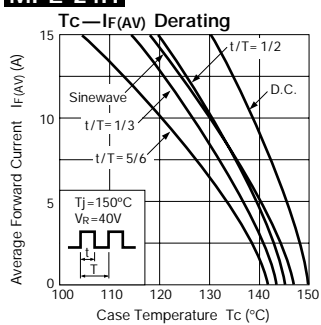
- ① Type No.
- ② Polarity
- ③ Lot No.

	1	2 (Common to backside of case)	3
1 Chip	N.C	Cathode	Anode
Center-tap	Anode	Cathode (Common)	Anode

**SPB-G54S**



**MPE-24H**



**SPB-G56S**

