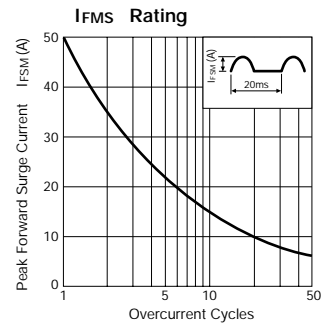


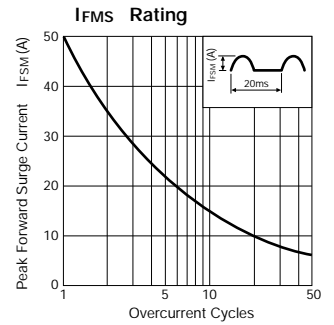
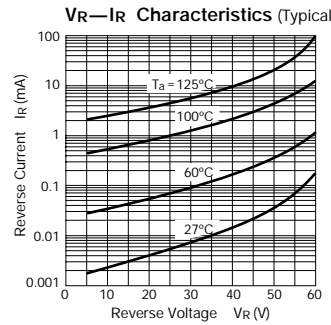
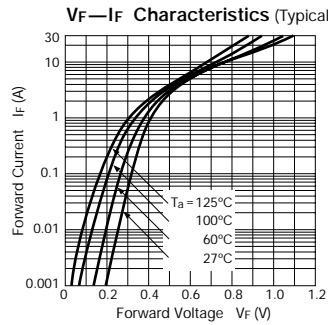
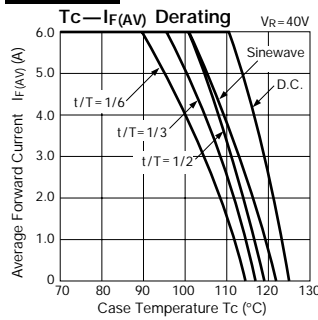
# Schottky Barrier Diodes (Power Surface Mount) 30V, 40V, 60V

| Parameter<br>Type No. | Absolute Maximum Ratings |                           |   |                        |                          | Electrical Characteristics (Ta=25°C)        |                        |   |  |                         |                                | Others      |            |      |                       |  |   |
|-----------------------|--------------------------|---------------------------|---|------------------------|--------------------------|---|------------------------|---|--|-------------------------|--------------------------------|-------------|------------|------|-----------------------|--|---|
|                       | V <sub>RM</sub><br>(V)   | I <sub>F(AV)</sub><br>(A) | I <sub>FSM</sub><br>(A)<br>50Hz<br>Half-cycle Sinewave<br>Single Shot | T <sub>J</sub><br>(°C) | T <sub>stg</sub><br>(°C) | V <sub>F</sub><br>(V)<br>max per<br>element | I <sub>R</sub><br>(mA) | I <sub>R(H)</sub><br>(mA)<br>V <sub>R</sub> =V <sub>RM</sub><br>max per element | I <sub>R(H)</sub><br>(mA)<br>V <sub>R</sub> =V <sub>RM</sub> , Ta=100°C<br>max per element | t <sub>rr</sub><br>(ns) | R <sub>th(j-c)</sub><br>(°C/W) | Mass<br>(g) | Remarks    | Fig. |                       |  |   |
|                       |                          |                           |   |                        |                          |   |                        |   |  |                         |                                |             |            |      | I <sub>F</sub><br>(A) | V <sub>R</sub> =V <sub>RM</sub><br>max per element | V <sub>R</sub> =V <sub>RM</sub> , Ta=100°C<br>max per element |
| SPJ-63S               | 30                       | 6.0                       | 50  | -40 to +150            |                          | 0.45  | 3.0                    | 30<br>(T <sub>J</sub> =125°C)   | —  | —                       | 5.0                            | 0.29        | Center-tap | Ⓐ    |                       |  |   |
| SPB-64S               | 40                       | 6.0                       |   |                        |                          | 0.55  |                        |   |  |                         |                                |             |            |      | 3.0                   | 3.5  | 50  |
| SPB-G34S              |                          | 3.0                       |   |                        |                          | 0.55  | 5.0                    | 5.0   |  |                         |                                |             |            |      |                       |  |   |
| SPB-G54S              |                          | 5.0                       |   |                        |                          | 0.6   | 7.5                    | 0.75  | 50<br>(T <sub>J</sub> =150°C)  | —                       |                                |             | —          |      | 2.5                   | 1.04   |   |
| MPE-24H               | 15.0                     | 100                       |   |                        |                          | 0.7   | 5.0                    | 3.0   | 50   | 100/100                 |                                |             | 5.0        |      | 0.29                  | 1 Chip   | Ⓐ   |
| SPB-G56S              | 60                       | 6.0                       | 60  |                        |                          |   |                        |   |  |                         |                                |             |            |      |                       |  |   |

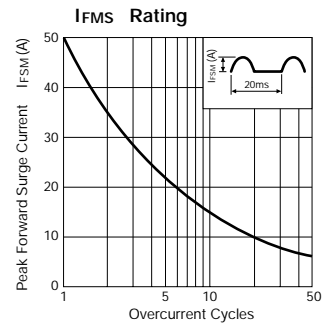
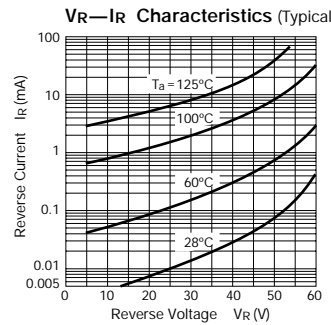
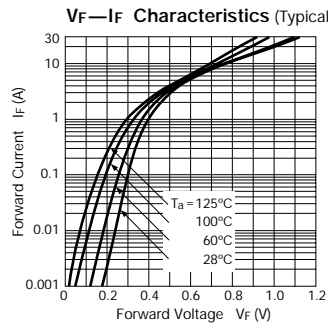
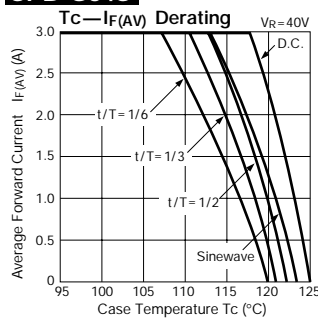
## SPJ-63S



## SPB-64S

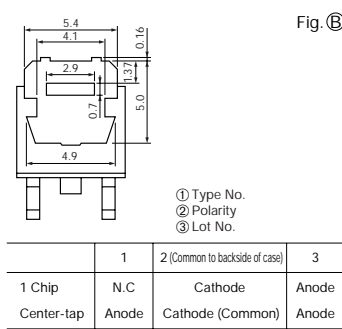
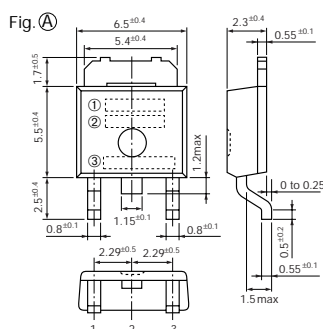


## SPB-G34S



## External Dimensions (Unit: mm)

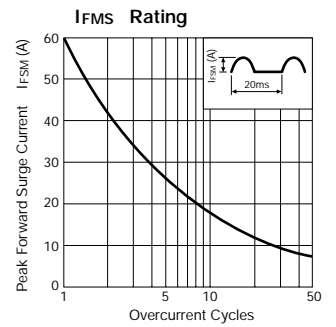
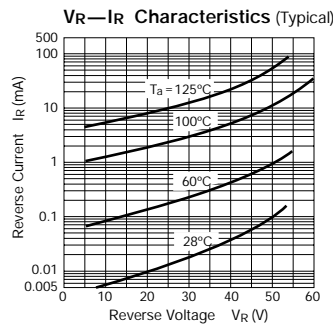
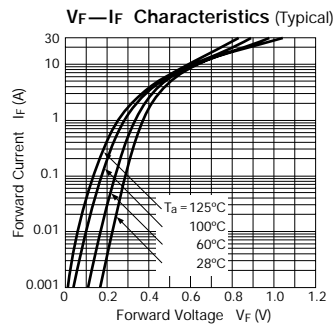
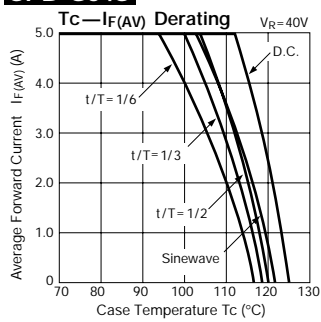
Flammability:  
UL94V-0 or Equivalent



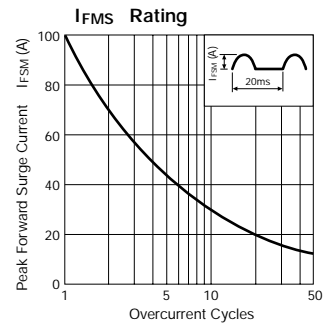
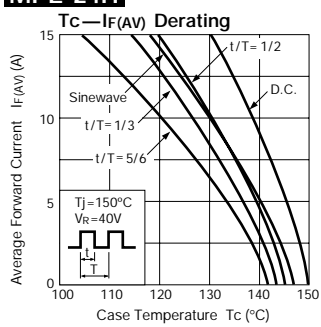
- ① Type No.
- ② Polarity
- ③ Lot No.

|            |       |                                |       |
|------------|-------|--------------------------------|-------|
|            | 1     | 2 (Common to backside of case) | 3     |
| 1 Chip     | N.C   | Cathode                        | Anode |
| Center-tap | Anode | Cathode (Common)               | Anode |

**SPB-G54S**



**MPE-24H**



**SPB-G56S**

