

DIODE MODULE

DWF(R)40A30/40

TOP

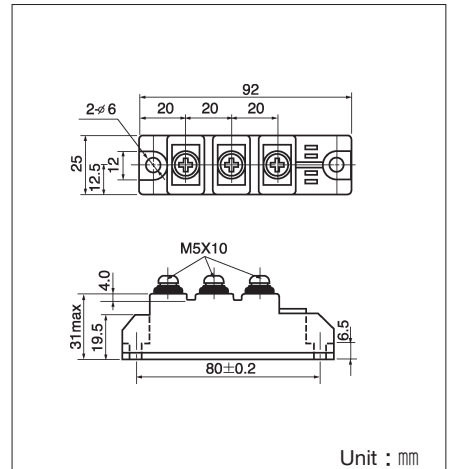
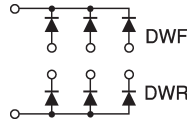


DWF (R) 40A is a non-isolated diode module designed for 3 phase rectification.

- $I_{F(AV)} = 40A$, $V_{RRM} = 400V$
- Easy Construction with Joint-Cathode (F) Type and Joint-Anode (R) type.
- Non-isolated. (Mounting Base as terminals.)
- High Surge Capability

(Applications)

Welding Power Supply
3 Phase Rectifier



Maximum Ratings

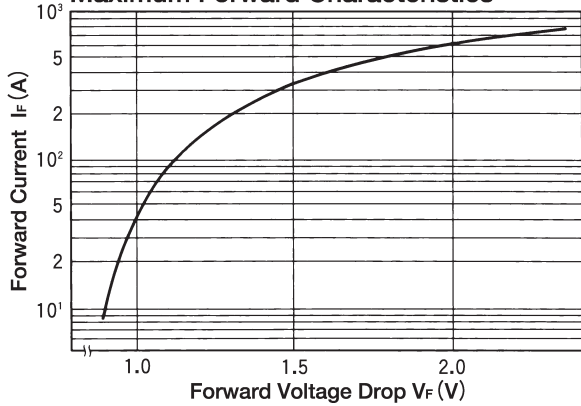
Symbol	Item	Ratings		Unit
		DWF(R)40A30	DWF(R)40A40	
V_{RRM}	Repetitive Peak Reverse Voltage	300	400	V
V_{RSM}	Non-Repetitive Peak Reverse Voltage	360	480	V
$V_{R(DC)}$	D.C. Reverse Voltage	240	320	V

Symbol	Item	Conditions	Ratings	Unit	
$I_{F(AV)}$	Average Forward Current	Single phase, half wave, 180° conduction, $T_c : 122^\circ C$	40	A	
$I_{F(RMS)}$	R.M.S. Forward Current	Single phase, half wave, 180° conduction, $T_c : 122^\circ C$	62	A	
I_{FSM}	Surge Forward Current	1/2 cycle, 60Hz, peak value, non-repetitive	800	A	
I^2t	I^2t	Value for one cycle of surge current	2700	A ² S	
T_j	Operating Junction Temperature		-30 ~ +150	°C	
T_{stg}	Storage Temperature		-30 ~ +125	°C	
	Mounting Torque	Mounting (M5)	Recommended Value 1.5~2.5 (15~25)	2.7 (28)	N·m (kgf·cm)
		Terminal (M5)	Recommended Value 1.5~2.5 (15~25)	2.7 (28)	
	Mass			170	g

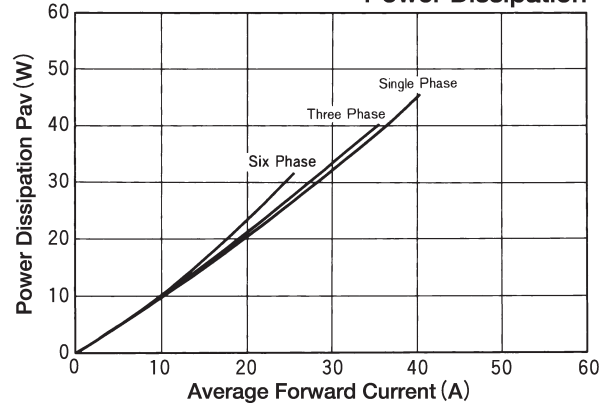
Electrical Characteristics

Symbol	Item	Conditions	Ratings	Unit
I_{RRM}	Repetitive Peak Reverse Current, max.	at V_{DRM} , single phase, half wave, $T_j = 150^\circ C$	8	mA
V_{FM}	Forward Voltage Drop, max.	Forward current 120A, $T_j = 25^\circ C$, Inst. measurement	1.15	V
$R_{th(j-c)}$	Thermal Impedance, max.	Junction to case	0.60	°C/W

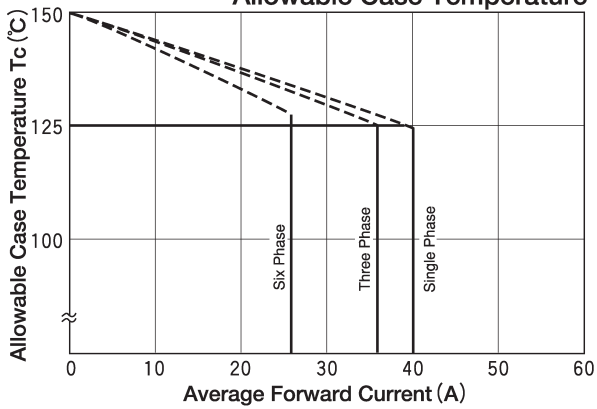
Maximum Forward Characteristics



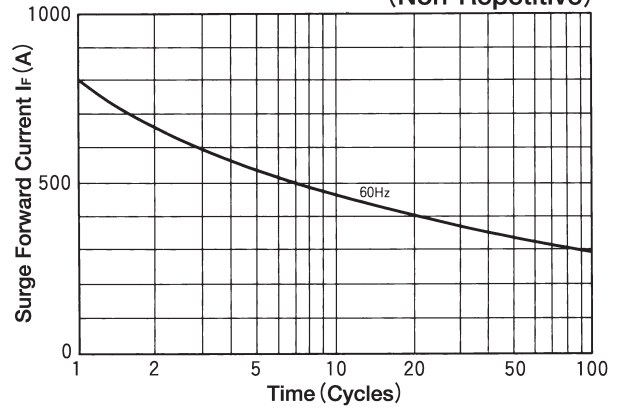
Average Forward Current vs. Power Dissipation



Average Forward Current vs. Allowable Case Temperature



Cycle Surge Forward Current Rating (Non-Repetitive)



Transient Thermal Impedance (max)

