

# DIODE MODULE

# DWF(R)70BB30/40

TOP

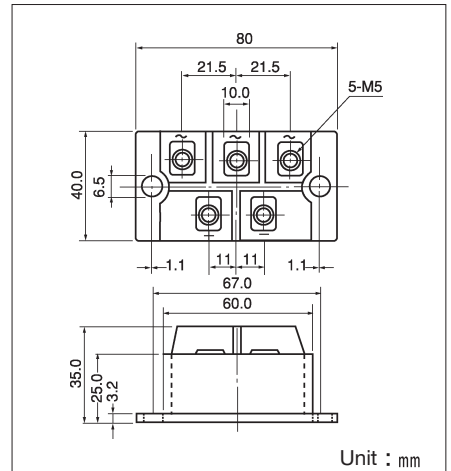
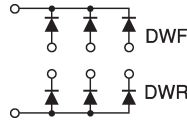


Power Diode Module **DWF(W)70BB** is designed for three phase half wave rectification, which has three diodes connected in a three phase bridge configuration. The mounting base of the module is electrically isolated from semiconductor elements for simple heatsink construction. Output DC current is 70Amp ( $T_c = 106^\circ\text{C}$ ) Repetitive peak reverse voltage is up to 400V.

- $T_{j\text{Max}} = 150^\circ\text{C}$
- Isolated mounting Base
- High reliability by unique glass passivation

**(Applications)**

AC, DC Motor Drive/AVR/Switching  
-for three phase rectification



**Maximum Ratings**

( $T_j = 25^\circ\text{C}$ )

Symbol	Item	Ratings		Unit
		DWF(R)70BB30	DWF(R)70BB40	
$V_{RRM}$	Repetitive Peak Reverse Voltage	300	400	V
$V_{RSM}$	Non-Repetitive Peak Reverse Voltage	360	480	V

Symbol	Item	Conditions	Ratings	Unit	
$I_D$	Average Forward Current (D.C.)	D.C. $T_c : 106^\circ\text{C}$	70	A	
$I_{FSM}$	Surge Forward Current	1 cycle, 60Hz, peak value, non-repetitive	1400	A	
$I^2t$	$I^2t$	Value for one cycle of surge current	8100	$\text{A}^2\text{S}$	
$T_j$	Operating Junction Temperature		$-40 \sim +150$	$^\circ\text{C}$	
$T_{stg}$	Storage Temperature		$-40 \sim +125$	$^\circ\text{C}$	
$V_{ISO}$	Isolation Breakdown Voltage (R.M.S.)	A.C. 1 minute	2500	V	
	Mounting Torque	Mounting (M5)	Recommended Value 1.5~2.5 (15~25)	2.7 (28)	N·m (kgf·cm)
		Terminal (M5)	Recommended Value 1.5~2.5 (15~25)	2.7 (28)	
	Mass	Typical Value	200	g	

**Electrical Characteristics**

Symbol	Item	Conditions	Ratings			Unit
			Min.	Typ.	Max.	
$I_{RRM}$	Repetitive Peak Reverse Current	$T_j = 150^\circ\text{C}$ at $V_{RRM}$			12	mA
$V_{FM}$	Forward Voltage Drop	$T_j = 25^\circ\text{C}$ , $I_{FM} = 220\text{A}$ , Inst. measurement			1.15	V
$R_{th(j-c)}$	Thermal Impedance	Junction to case ( $\frac{1}{3}$ MODULE)			0.55	$^\circ\text{C}/\text{W}$

