

DIODE(NON-ISOLATED TYPE)

MDF(R)150A

TOP

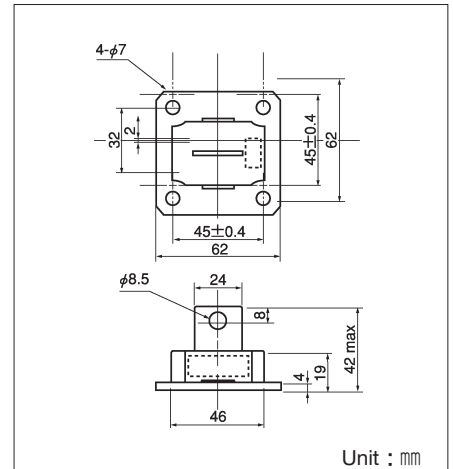
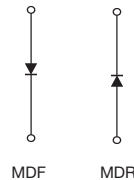


MDF(R)150A is a diode with flat mounting base which is designed for use in various rectifier applications.

- $I_{F(AV)}=150A$, $V_{RRM}=500V$
- Easy Construction with Anode (F) Type and Cathode (R) type.
- High reliability by glass passivation

(Applications)

Various Rectifiers
Welding Power Supply



Maximum Ratings

($T_j=25^{\circ}C$)

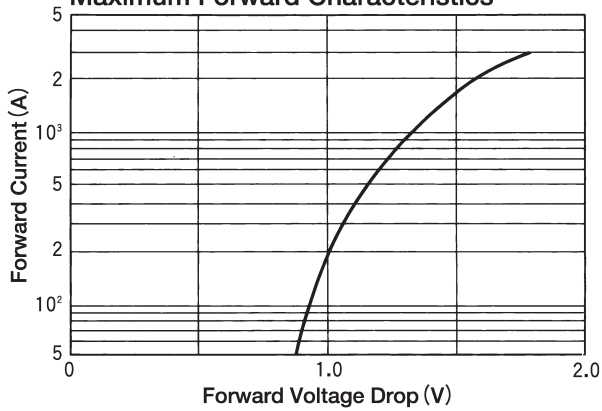
Symbol	Item	Ratings			Unit
		MDF(R)150A30	MDF(R)150A40	MDF(R)150A50	
V_{RRM}	Repetitive Peak Reverse Voltage	300	400	500	V
V_{RSM}	Non-Repetitive Peak Reverse Voltage	360	480	600	V
$V_R(DC)$	D.C. Reverse Voltage	240	320	400	V

Symbol	Item	Conditions	Ratings	Unit	
$I_{F(AV)}$	Average Forward Current	Single phase, half wave, 180° conduction, $T_c : 98^{\circ}C$	150	A	
$I_{F(RMS)}$	R.M.S. Forward Current	Single phase, half wave, 180° conduction, $T_c : 98^{\circ}C$	235	A	
I_{FSM}	Surage Forward Current	$1/2$ cycle, 50Hz/60Hz, peak value, non-repetitive	2700/3000	A	
I^2t	I^2t	Value for one cycle of surge current	37500	A^2S	
T_j	Junction Temperature		$-30 \sim +150$	$^{\circ}C$	
T_{stg}	Storage Temperature		$-30 \sim +125$	$^{\circ}C$	
	Mounting Torque	Mounting (M6)	Recommended Value 2.5~3.9 (25~40)	4.7 (48)	N·m (kgf·cm)
		Terminal (M8)	Recommended Value 8.8~10 (90~105)	11 (115)	
	Mass			170	g

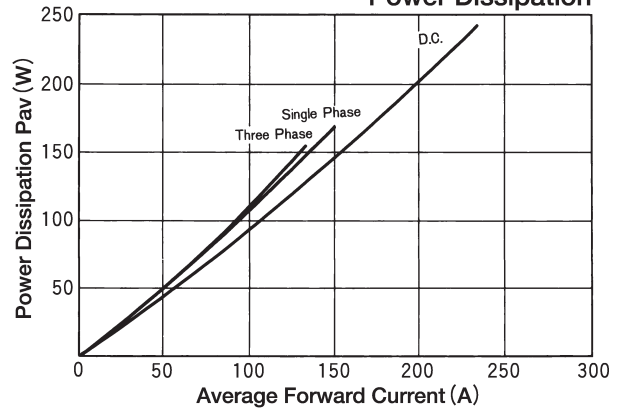
Electrical Characteristics

Symbol	Item	Conditions	Ratings	Unit
I_{RRM}	Repetitive Peak Reverse Current, max.	at V_{DRM} , single phase, half wave, $T_j=150^{\circ}C$	10	mA
V_{FM}	Forward Voltage Drop, max.	Foward current 470A, $T_j=25^{\circ}C$, Inst. measurement	1.15	V
$R_{th(j-c)}$	Thermal Impedance, max.	Junction to case	0.3	$^{\circ}C/W$

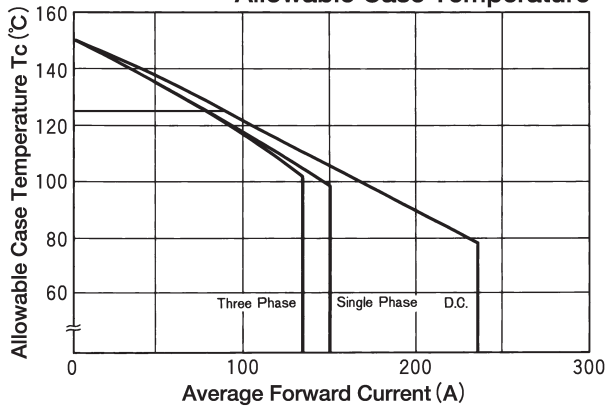
Maximum Forward Characteristics



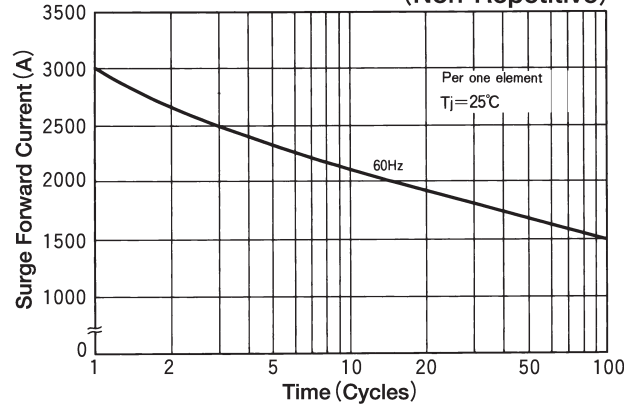
Average Forward Current vs. Power Dissipation



Average Forward Current vs. Allowable Case Temperature



Cycle Surge Forward Current Rating (Non-Repetitive)



Transient Thermal Impedance

