

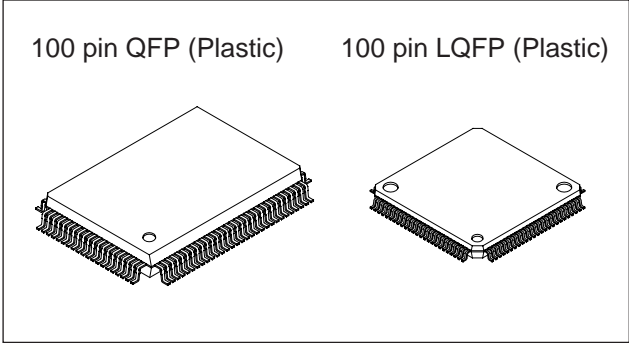
CMOS 8-bit Single Chip Microcomputer

Description

The CXP7400P10 is a CMOS 8-bit microcomputer integrating on a single chip an A/D converter, serial interface, timer/counter, time-base timer, capture timer/counter, remote control receive circuit, PWM output, and the like besides the basic configurations of 8-bit CPU, ROM, RAM, and I/O port.

The CXP7400P10 also provides the sleep/stop functions that enable lower power consumption.

The CXP7400P10 is the PROM-incorporated version of the CXP740056/740096/740010 with built-in mask ROM. This provides the additional feature of being able to write directly into the program. Thus, it is most suitable for evaluation use during system development and for small-quantity production.



Structure

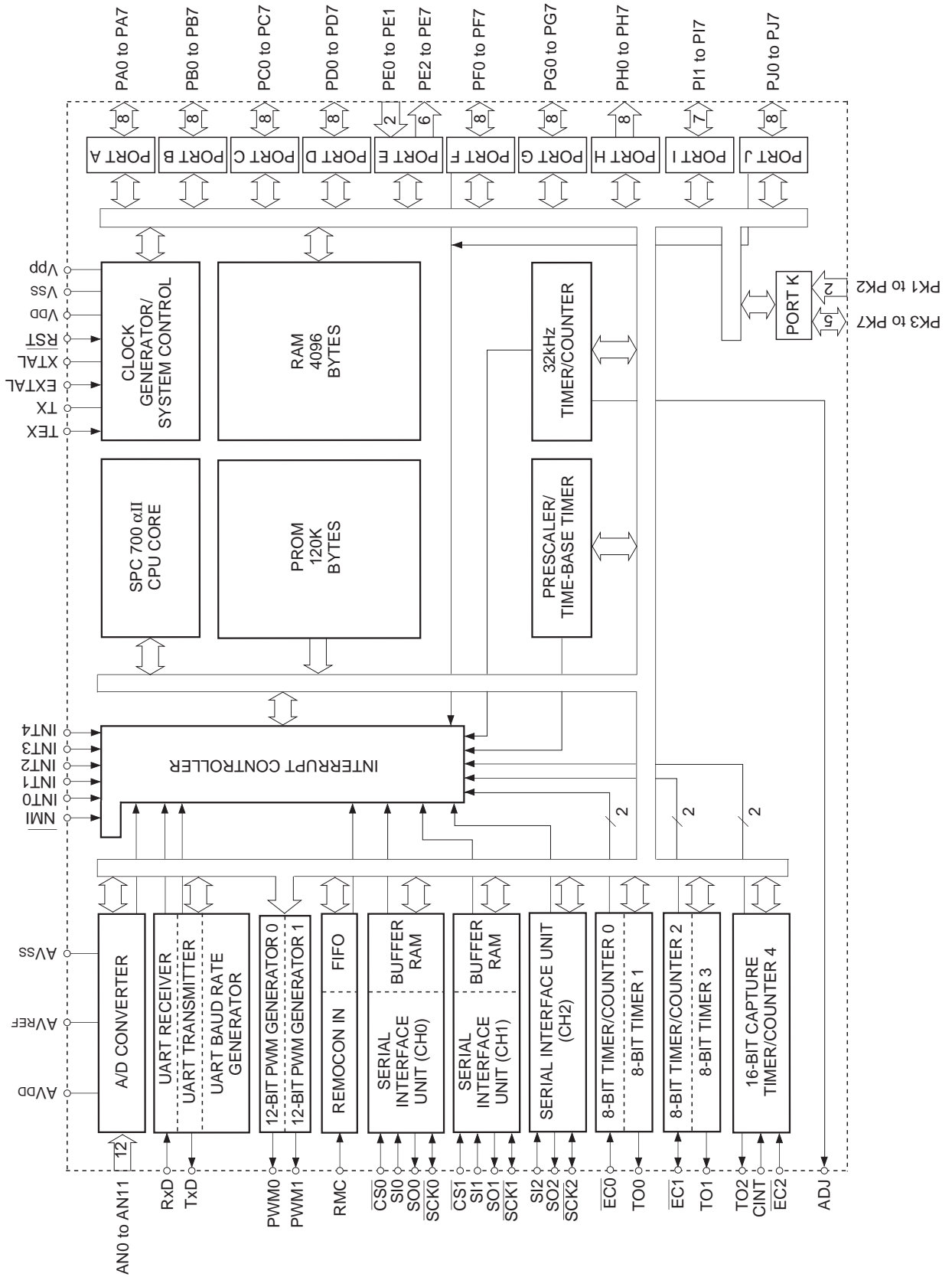
Silicon gate CMOS IC

Features

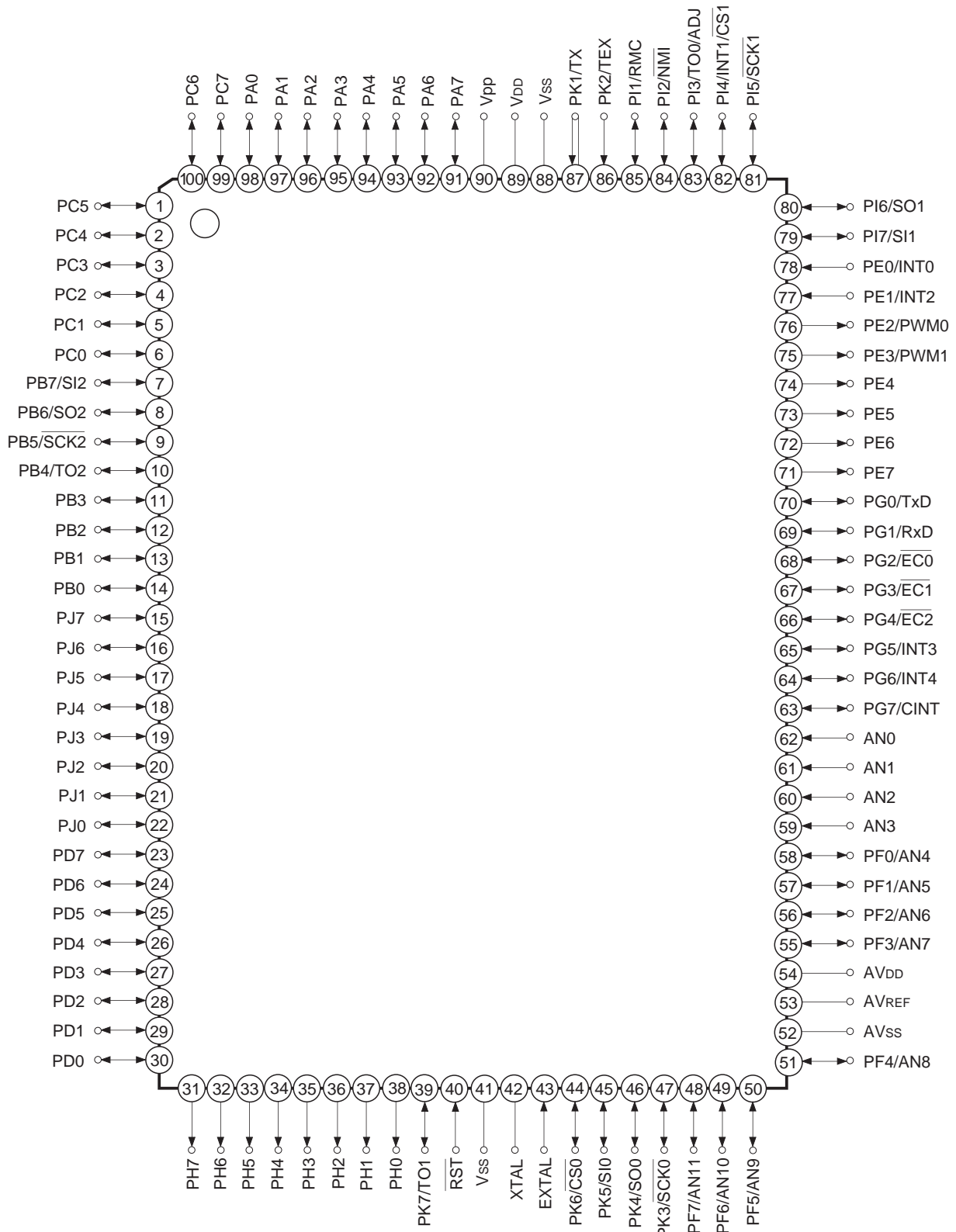
- A wide instruction set (211 instructions) which covers various types of data.
 - 16-bit arithmetic/multiplication and division/Boolean bit operation instructions
- Minimum instruction cycle
 - 167ns at 24MHz operation (4.5 to 5.5V)
 - 333ns at 12MHz operation (2.7 to 5.5V)
 - 122µs at 32kHz operation (2.7 to 5.5V)
- Incorporated PROM capacity 120K bytes
- Incorporated RAM capacity 4096 bytes
- Peripheral functions
 - A/D converter 8 bits, 8 channels, successive approximation method (Conversion time 10.3µs at 24MHz)
 - Serial interface Start-stop synchronization (UART), 1 channel
Incorporated buffer RAM (Auto transfer for 1 to 32 bytes), 2 channels
8-bit clock synchronization (MSB/LSB first selectable), 1 channel
 - Timer 8-bit timer 2 channels, 8-bit timer/counter 2 channels,
19-bit time-base timer, 16-bit capture timer/counter
32kHz timer/counter
 - Remote control receive circuit Noise elimination circuit
8-bit pulse measuring counter, 6-stage FIFO
 - PWM output 12 bits, 2 channels
- Interruption 22 factors, 15 vectors, multi-interruption possible
- Standby mode Sleep/stop
- Package 100-pin plastic QFP/LQFP

Sony reserves the right to change products and specifications without prior notice. This information does not convey any license by any implication or otherwise under any patents or other right. Application circuits shown, if any, are typical examples illustrating the operation of the devices. Sony cannot assume responsibility for any problems arising out of the use of these circuits.

Block Diagram

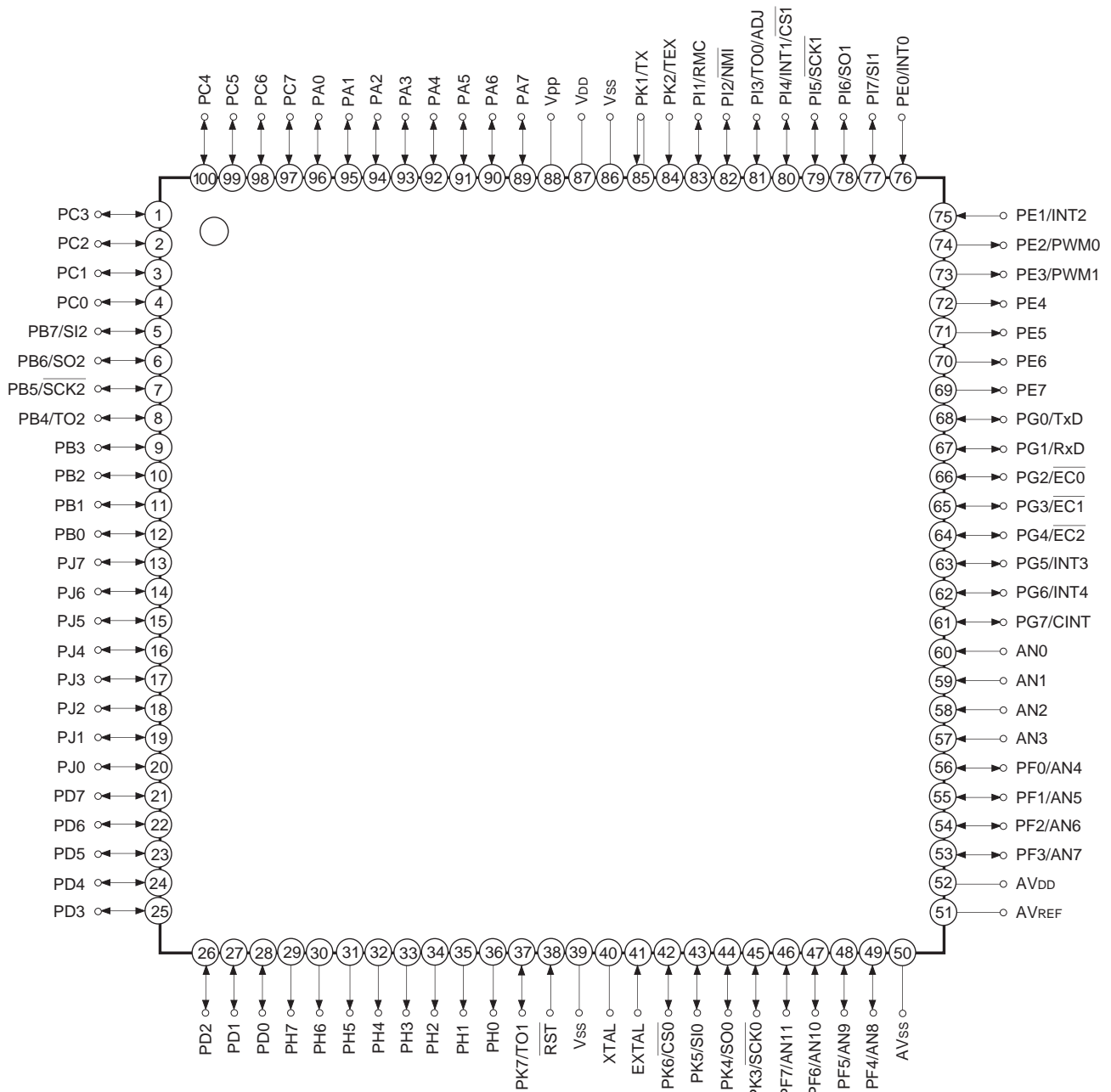


Pin Assignment (Top View) 100-pin QFP package



- Note)** 1. Vpp (Pin 90) is left open.
 2. Vss (Pins 41 and 88) are both connected to GND.

Pin Assignment (Top View) 100-pin LQFP package



- Note**
1. Vpp (Pin 88) is left open.
 2. Vss (Pins 39 and 86) are both connected to GND.

Pin Description

Symbol	I/O	Description	
PA0 to PA7	I/O	(Port A) 8-bit I/O port. I/O can be set in a unit of single bits. Incorporation of pull-up resistor can be set through the program in a unit of single bits. (8 pins)	
PB0 to PB3	I/O	(Port B) 8-bit I/O port. I/O can be set in a unit of single bits. Incorporation of pull-up resistor can be set through the program in a unit of single bits. (8 pins)	16-bit timer/counter rectangular wave output. Serial clock I/O (CH2). Serial data output (CH2). Serial data input (CH2).
PB4/TO2	I/O/Output		
PB5/SCK2	I/O/I/O		
PB6/SO2	I/O/Output		
PB7/SI2	I/O/Input		
PC0 to PC7	I/O	(Port C) 8-bit I/O port. I/O can be set in a unit of single bits. Incorporation of pull-up resistor can be set through the program in a unit of single bits. (8 pins)	
PD0 to PD7	I/O	(Port D) 8-bit I/O port. I/O can be set in a unit of single bits. Can drive 12mA sink current. Incorporation of pull-up resistor can be set through the program in a unit of single bits. (8 pins)	
PE0/INT0	Input/Input	(Port E) 8-bit port. Lower 2 bits are for input; upper 6 bits are for output. (8 pins)	External interrupt inputs. (2 pins) 12-bit PWM outputs. (2 pins)
PE1/INT2	Input/Input		
PE2/PWM0	Output/Output		
PE3/PWM1	Output/Output		
PE4 to PE7	Output		
PF0/AN4 to PF7/AN11	I/O/Input	(Port F) 8-bit I/O port. I/O can be set in a unit of single bits. PF4 to PF7 can be set in a unit of single bits as standby release inputs. Incorporation of pull-up resistor can be set through the program in a unit of single bits. (8 pins) Analog inputs to A/D converter. (8 pins)	

Symbol	I/O	Description		
PG0/TxD	I/O/Output	(Port G) 8-bit I/O port. I/O can be set in a unit of single bits. Incorporation of pull-up resistor can be set through the program in a unit of single bits. (8 pins)	UART transmission data output.	
PG1/RxD	I/O/Input		UART reception data input.	
PG2/ $\overline{\text{EC0}}$	I/O/Input		External event input for 8-bit timer/counter 0.	
PG3/ $\overline{\text{EC1}}$	I/O/Input		External event input for 8-bit timer/counter 2.	
PG4/ $\overline{\text{EC2}}$	I/O/Input		External event input for 16-bit timer/counter.	
PG5/INT3	I/O/Input		External interrupt inputs. (2 pins)	
PG6/INT4	I/O/Input			
PG7/CINT	I/O/Input		External capture input to 16-bit timer/counter.	
PH0 to PH7	Output	(Port H) 8-bit output port. Operated as N-ch open drain output for medium voltage drive (12V) and large current (12mA). (8 pins)		
PI1/RMC	I/O/Input	(Port I) 7-bit I/O port. I/O can be set in a unit of single bits. Incorporation of pull-up resistor can be set through the program in a unit of single bits. (7 pins)	Remote control receiver circuit input.	
PI2/ $\overline{\text{NMI}}$	I/O/Input		Non-maskable interrupt input.	
PI3/TO0/ ADJ	I/O/Output/ Output		Output for the 8-bit timer/counter 1 rectangular waves and TEX oscillation frequency demultiplication.	
PI4/INT1/ $\overline{\text{CS1}}$	I/O/Input/ Input		External interrupt input.	Chip select input for serial interface (CH1).
PI5/ $\overline{\text{SCK1}}$	I/O/I/O		Serial clock I/O (CH1).	
PI6/SO1	I/O/Output		Serial data output (CH1).	
PI7/SI1	I/O/Input		Serial data input (CH1).	
PJ0 to PJ7	I/O		(Port J) 8-bit I/O port. I/O can be set in a unit of single bits. Standby release input can be set in a unit of single bits. Incorporation of pull-up resistor can be set through the program in a unit of single bits. (8 pins)	
PK1/TX	Input	(Port K) 7-bit port. Lower 2 bits are for input; upper 5 bits are for I/O. I/O can be set in a unit of single bits. For PK3 to PK7, incorporation of pull-up resistor can be set through the program in a unit of single bits. (7 pins)	Crystal connectors for 32-kHz timer/counter clock oscillation circuit.	
PK2/TEX	Input/Input		For usage as event counter, connect clock oscillation source to TEX, and leave TX open.	
PK3/ $\overline{\text{SCK0}}$	I/O/I/O		Serial clock I/O (CH0).	
PK4/SO0	I/O/Output		Serial data output (CH0).	
PK5/SI0	I/O/Input		Serial data input (CH0).	
PK6/ $\overline{\text{CS0}}$	I/O/Input		Chip select input for serial interface (CH0).	
PK7/TO1	I/O/Output		8-bit timer/counter 3 rectangular wave output.	

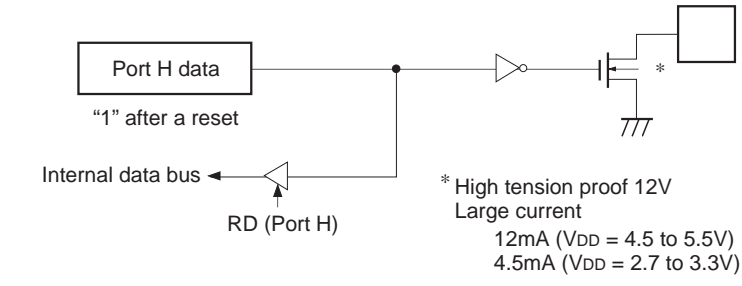
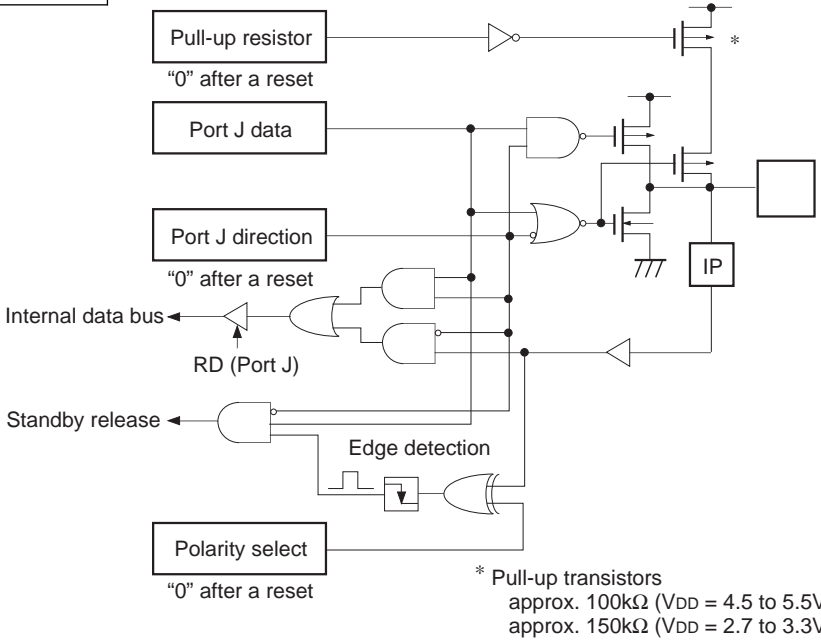
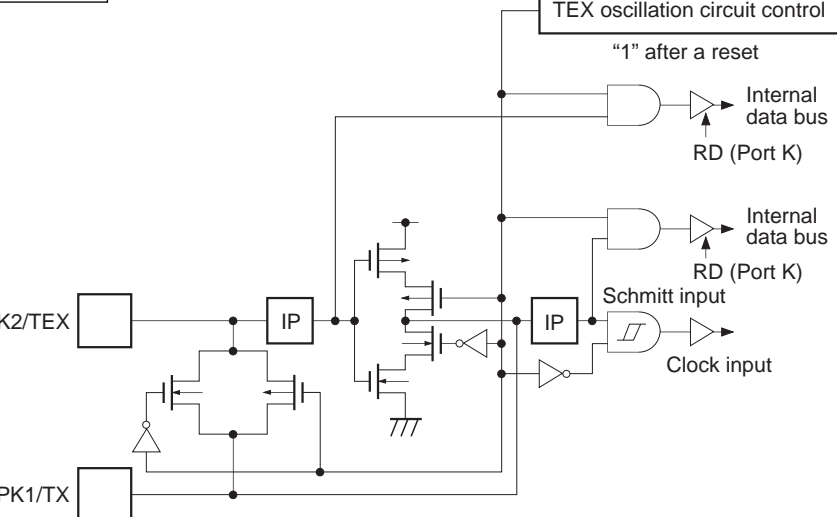
Symbol	I/O	Description
AN0 to AN3	Input	Analog inputs to A/D converter. (4 pins)
EXTAL	Input	Connects a crystal for system clock oscillation. When a clock is supplied externally, input it to EXTAL pin and input a reversed phase clock to XTAL pin.
XTAL		
$\overline{\text{RST}}$	Input	System reset; active at Low level.
V _{pp}		Positive power supply pin for incorporated PROM writing. Leave this pin open for normal operation. (Connected to V _{DD} internally.)
AV _{DD}		Positive power supply of A/D converter.
AV _{REF}	Input	Reference voltage input of A/D converter.
AV _{SS}		GND of A/D converter.
V _{DD}		Positive power supply.
V _{SS}		GND. Connect both V _{SS} pins to GND.

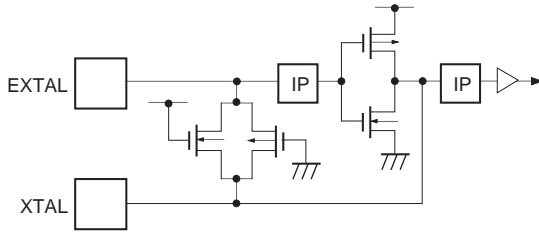
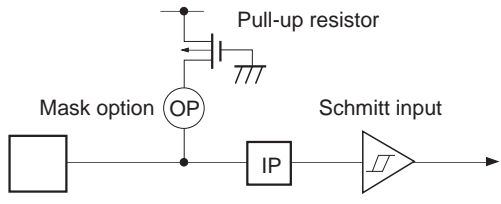
I/O Circuit Format for Pins

Pin	Circuit format		After a reset
PA0 to PA7 PB0 PB2 PC0 to PC7 18 pins	Port A Port B Port C		Hi-Z
PB1 PB3 2 pins	Port B		Hi-Z
PB4/TO2 PI3/TO0/ADJ PK7/TO1 3 pins	Port B Port I Port K		Hi-Z

Pin	Circuit format	After a reset
<p>PE2/PWM0 PE3/PWM1</p> <p>2 pins</p>	<p>Port E</p> <p>Hi-Z by writing to Port E data register or Port E function select register → Output active</p>	<p>Hi-Z</p>
<p>PE4 PE5</p> <p>2 pins</p>	<p>Port E</p> <p>Hi-Z by writing to Port E data register → Output active</p>	<p>Hi-Z</p>
<p>PE6</p> <p>1 pin</p>	<p>Port E</p> <p>"1" after a reset</p>	<p>"H" level</p>
<p>PE7</p> <p>1 pin</p>	<p>Port E</p> <p>* Pull-up transistors approx. 150kΩ (V_{DD} = 4.5 to 5.5V) approx. 200kΩ (V_{DD} = 2.7 to 3.3V)</p>	<p>"H" level "H" level at ON resistance of pull-up transistor during a reset.</p>
<p>AN0 to AN3</p> <p>4 pins</p>	<p>Input multiplexer</p> <p>A/D converter</p>	<p>Hi-Z</p>

Pin	Circuit format	After a reset
<p>PF0/AN4 to PF3/AN7</p> <p>4 pins</p>	<p>Port F</p> <p>Pull-up resistor "0" after a reset</p> <p>Port F data</p> <p>Port F direction "0" after a reset</p> <p>Internal data bus</p> <p>RD (Port F)</p> <p>Port F function select "0" after a reset</p> <p>Input multiplexer</p> <p>A/D converter</p> <p>* Pull-up transistors approx. 100kΩ (V_{DD} = 4.5 to 5.5V) approx. 150kΩ (V_{DD} = 2.7 to 3.3V)</p>	<p>Hi-Z</p>
<p>PF4/AN8 to PF7/AN11</p> <p>4 pins</p>	<p>Port F</p> <p>Pull-up resistor "0" after a reset</p> <p>Port F data</p> <p>Port F direction "0" after a reset</p> <p>Internal data bus</p> <p>RD (Port F)</p> <p>Port F function select "0" after a reset</p> <p>Standby release</p> <p>Edge detection</p> <p>Polarity select "0" after a reset</p> <p>Input multiplexer</p> <p>A/D converter</p> <p>* Pull-up transistors approx. 100kΩ (V_{DD} = 4.5 to 5.5V) approx. 150kΩ (V_{DD} = 2.7 to 3.3V)</p>	<p>Hi-Z</p>

Pin	Circuit format	After a reset
<p>PH0 to PH7</p> <p>8 pins</p>	<p>Port H</p>  <p>Port H data "1" after a reset</p> <p>Internal data bus</p> <p>RD (Port H)</p> <p>* High tension proof 12V Large current 12mA ($V_{DD} = 4.5$ to $5.5V$) 4.5mA ($V_{DD} = 2.7$ to $3.3V$)</p>	<p>Hi-Z</p>
<p>PJ0 to PJ7</p> <p>8 pins</p>	<p>Port J</p>  <p>Pull-up resistor "0" after a reset</p> <p>Port J data</p> <p>Port J direction "0" after a reset</p> <p>Internal data bus</p> <p>RD (Port J)</p> <p>Standby release</p> <p>Edge detection</p> <p>Polarity select "0" after a reset</p> <p>* Pull-up transistors approx. $100k\Omega$ ($V_{DD} = 4.5$ to $5.5V$) approx. $150k\Omega$ ($V_{DD} = 2.7$ to $3.3V$)</p>	<p>Hi-Z</p>
<p>PK1/TX PK2/TEX</p> <p>2 pins</p>	<p>Port K</p>  <p>TEX oscillation circuit control "1" after a reset</p> <p>Internal data bus</p> <p>RD (Port K)</p> <p>Internal data bus</p> <p>RD (Port K)</p> <p>Schmitt input</p> <p>Clock input</p>	<p>Oscillation stop port input</p>

Pin	Circuit format	After a reset
<p>EXTAL XTAL</p> <p>2 pins</p>	 <ul style="list-style-type: none"> • Diagram shows circuit configuration during oscillation. • When program stops the oscillation, the feedback register disconnects, and XTAL is driven at "H" level. 	<p>Oscillation</p>
<p>$\overline{\text{RST}}$</p> <p>1 pin</p>	 <p>Pull-up resistor</p> <p>Mask option (OP)</p> <p>Schmitt input</p>	<p>"L" level (during a reset)</p>

Absolute Maximum Ratings

(V_{SS} = 0V reference)

Item	Symbol	Rating	Unit	Remarks
Supply voltage	V _{DD}	−0.3 to +7.0	V	
	V _{pp}	−0.3 to +13.0	V	Incorporated PROM
	AV _{DD}	AV _{SS} to +7.0* ¹	V	
	AV _{SS}	−0.3 to +0.3	V	
	AV _{REF}	AV _{SS} to +7.0	V	
Input voltage	V _{IN}	−0.3 to +7.0* ²	V	
Output voltage	V _{OUT}	−0.3 to +7.0* ²	V	
High level output current	I _{OH}	−5	mA	Output (value per pin)
High level total output current	∑I _{OH}	−50	mA	Total for all output pins
Low level output current	I _{OL}	15	mA	All pins excluding large current outputs (value per pin)
	I _{OLC}	20	mA	Large current outputs (value per pin) * ³
Low level total output current	∑I _{OL}	100	mA	Total for all output pins
Operating temperature	T _{opr}	−20 to +75	°C	
Storage temperature	T _{stg}	−55 to +150	°C	
Allowable power dissipation	P _D	600	mW	QFP package
		380		LQFP package

*¹ AV_{DD} and V_{DD} must be set to the same voltage.

*² V_{IN} and V_{OUT} must not exceed V_{DD} + 0.3V.

*³ The large current output pins are Port D and H (PD, PH).

Note) Usage exceeding absolute maximum ratings may permanently impair the LSI. Normal operation should be conducted under the recommended operating conditions. Exceeding these conditions may adversely affect the reliability of the LSI.

Recommended Operating Conditions

(V_{SS} = 0V reference)

Item	Symbol	Min.	Max.	Unit	Remarks
Supply voltage	V _{DD}	4.5	5.5	V	fc = 24MHz or less
		2.7	5.5	V	fc = 12MHz or less
		2.7	5.5	V	Guaranteed operation range for 1/16 frequency dividing clock or sleep mode
		2.7	5.5	V	Guaranteed operation range for TEX
		2.5	5.5	V	Guaranteed data hold operation range during stop mode
Analog voltage	AV _{DD}	2.7	5.5	V	*1
High level input voltage	V _{IH}	0.7V _{DD}	V _{DD}	V	*2, *6
		0.8V _{DD}	V _{DD}	V	*2, *7
	V _{IHS}	0.8V _{DD}	V _{DD}	V	Hysteresis input*3
	V _{IHEX}	V _{DD} - 0.4	V _{DD} + 0.3	V	EXTAL pin*4, *6, TEX pin*5, *6
		V _{DD} - 0.2	V _{DD} + 0.2	V	EXTAL pin*4, *7, TEX pin*5, *7
Low level input voltage	V _{IL}	0	0.3V _{DD}	V	*2, *6
		0	0.2V _{DD}	V	*2, *7
	V _{ILS}	0	0.2V _{DD}	V	Hysteresis input*3
	V _{ILEX}	-0.3	0.4	V	EXTAL pin*4, *6, TEX pin*5, *6
		-0.3	0.2	V	EXTAL pin*4, *7, TEX pin*5, *7
Operating temperature	T _{opr}	-20	+75	°C	

*1 AV_{DD} and V_{DD} must be set to the same voltage.

*2 Normal input port (PA, PB0, PB2, PB4, PB6, PC, PD, PF, PG0, PI3, PI6, PJ, PK1, PK2, PK4, PK7)

*3 $\overline{\text{RST}}$, PB1, PB3, PB5/ $\overline{\text{SCK2}}$, PB7/SI2, PE0/INT0, PE1/INT2, PG1/RxD, PG2/ $\overline{\text{EC0}}$, PG3/ $\overline{\text{EC1}}$, PG4/ $\overline{\text{EC2}}$, PG5/INT3, PG6/INT4, PG7/CINT, PI1/RMC, PI2/ $\overline{\text{NMI}}$, PI4/INT1/ $\overline{\text{CS1}}$, PI5/ $\overline{\text{SCK1}}$, PI7/SI1, PK3/ $\overline{\text{SCK0}}$, PK5/SI0, PK6/ $\overline{\text{CS0}}$

*4 Specifies only when the external clock is input.

*5 Specifies only when the external event count is input.

*6 This case applies to the range of 4.5 to 5.5V supply voltage (V_{DD}).

*7 This case applies to the range of 2.7 to 5.5V supply voltage (V_{DD}).

Electrical Characteristics

DC Characteristics ($V_{DD} = 4.5$ to $5.5V$)($T_a = -20$ to $+75^\circ C$, $V_{SS} = 0V$ reference)

Item	Symbol	Pins	Conditions	Min.	Typ.	Max.	Unit
High level output voltage	V_{OH}	PA to PD, PE2 to PE7, PF to PG, PI to PJ, PK3 to PK7	$V_{DD} = 4.5V, I_{OH} = -0.5mA$	4.0			V
			$V_{DD} = 4.5V, I_{OH} = -1.2mA$	3.5			V
		PB5, PB6*1, PG0*1, PI5, PI6*1, PK3, PK4*1	$V_{DD} = 4.5V, I_{OH} = -1.0mA$	4.0			V
			$V_{DD} = 4.5V, I_{OH} = -2.4mA$	3.5			V
Low level output voltage	V_{OL}	PA to PD, PE2 to PE7, PF to PG, PI to PJ, PK3 to PK7	$V_{DD} = 4.5V, I_{OL} = 1.8mA$			0.4	V
			$V_{DD} = 4.5V, I_{OL} = 3.6mA$			0.6	V
		PD, PH	$V_{DD} = 4.5V, I_{OL} = 12.0mA$			1.5	V
Input current	I_{IHE}	EXTAL	$V_{DD} = 5.5V, V_{IH} = 5.5V$	0.5		40	μA
	I_{ILE}		$V_{DD} = 5.5V, V_{IL} = 0.4V$	-0.5		-40	μA
	I_{IHT}	TEX	$V_{DD} = 5.5V, V_{IL} = 5.5V$	0.1		10	μA
	I_{ILT}		$V_{DD} = 5.5V, V_{IL} = 0.4V$	-0.1		-10	μA
	I_{ILR}	\overline{RST}^{*2}	$V_{DD} = 5.5V, V_{IL} = 0.4V$	-1.5		-400	μA
	I_{IL}	PA to PD*3, PF to PG*3, PI to PK*3		$V_{DD} = 4.5V, V_{IL} = 4.0V$	-2.78		-45
I/O leakage current	I_{IZ}	PA to PD*3, PF to PG*3, PI to PK*3, PE, AN0 to AN3 \overline{RST}^{*2}	$V_{DD} = 5.5V$ $V_I = 0, 5.5V$			± 10	μA
Open drain output leakage current (N-ch Tr off state)	I_{LOH}	PH	$V_{DD} = 5.5V$ $V_{OH} = 12V$			50	μA

Item	Symbol	Pins	Conditions	Min.	Typ.	Max.	Unit
Supply current*4	I _{DD1}	V _{DD}	24MHz crystal oscillation (C ₁ = C ₂ = 15pF)		50	62	mA
			V _{DD} = 5V ± 0.5V				
	I _{DDS1}		Sleep mode		1.8	9.0	mA
			V _{DD} = 5V ± 0.5V				
	I _{DD2}		32kHz crystal oscillation (C ₁ = C ₂ = 47pF)		43	80	μA
			V _{DD} = 3V ± 0.3V				
I _{DDS2}	Sleep mode		13	40	μA		
	V _{DD} = 3V ± 0.3V						
I _{DDS3}	Stop mode (Termination of EXTAL and TEX pins crystal oscillation)			10	μA		
		V _{DD} = 5V ± 0.5V					
Input capacity	C _{IN}	PA to PD, PE0 to PE1, PF to PG, PI to PK, AN0 to AN3, EXTAL, RST	Clock 1MHz 0V for all pins excluding measured pins		10	20	pF

*1 This case applies that Port B buffer capability switching register (BUFB: 010F4h, bits 6 and 5 = "1, 1") and Ports G/I/K buffer capability switching register (BUFG: 010F5h, bits 0, 3, 4, 5 and 6 = "1, 1, 1, 1, 1") are ON.

*2 RST pin specifies the input current when the pull-up resistor is selected, and specifies the leakage current when no resistor is selected.

*3 PA to PD, PF to PG and PI to PK pins specify the input current when the pull-up resistor is selected, and specify the leakage current when no resistor is selected.

*4 When all output pins are open.

Electrical Characteristics

DC Characteristics ($V_{DD} = 2.7$ to $3.3V$)($T_a = -20$ to $+75^\circ C$, $V_{SS} = 0V$ reference)

Item	Symbol	Pins	Conditions	Min.	Typ.	Max.	Unit	
High level output voltage	V_{OH}	PA to PD, PE2 to PE7, PF to PG, PI to PJ, PK3 to PK7	$V_{DD} = 2.7V$, $I_{OH} = -0.12mA$	2.5			V	
			$V_{DD} = 2.7V$, $I_{OH} = -0.45mA$	2.1			V	
		PB5, PB6*1, PG0*1, PI5, PI6*1, PK3, PK4*1	$V_{DD} = 2.7V$, $I_{OH} = -0.24mA$	2.5				V
			$V_{DD} = 2.7V$, $I_{OH} = -0.90mA$	2.1				V
Low level output voltage	V_{OL}	PA to PD, PE2 to PE7, PF to PG, PI to PJ, PK3 to PK7	$V_{DD} = 2.7V$, $I_{OL} = 1.0mA$			0.25	V	
			$V_{DD} = 2.7V$, $I_{OL} = 1.4mA$			0.4	V	
		PD, PH	$V_{DD} = 2.7V$, $I_{OL} = 4.5mA$			0.9	V	
Input current	I_{IHE}	EXTAL	$V_{DD} = 3.3V$, $V_{IH} = 3.3V$	0.3		20	μA	
	I_{ILE}		$V_{DD} = 3.3V$, $V_{IL} = 0.3V$	-0.3		-20	μA	
	I_{IHT}	TEX	$V_{DD} = 3.3V$, $V_{IL} = 3.3V$	0.1		10	μA	
	I_{ILT}		$V_{DD} = 3.3V$, $V_{IL} = 0.4V$	-0.1		-10	μA	
	I_{ILR}	\overline{RST}^{*2}	$V_{DD} = 3.3V$, $V_{IL} = 0.3V$	-0.9		-200	μA	
	I_{IL}	PA to PD*3, PF to PG*3, PI to PK*3	$V_{DD} = 3.3V$, $V_{IL} = 0.3V$			-20	μA	
		$V_{DD} = 3.3V$, $V_{IL} = 2.7V$	-1.0			μA		
I/O leakage current	I_{IZ}	PA to PD*3, PF to PG*3, PI to PK*3, PE, AN0 to AN3 \overline{RST}^{*2}	$V_{DD} = 3.3V$ $V_I = 0, 3.3V$			± 10	μA	
Open drain output leakage current (N-ch Tr off state)	$LLOH$	PH	$V_{DD} = 3.3V$ $V_{OH} = 12V$			50	μA	

Item	Symbol	Pins	Conditions	Min.	Typ.	Max.	Unit
Supply current*4	I _{DD1}	V _{DD}	12MHz crystal oscillation (C ₁ = C ₂ = 15pF)		12	30	mA
	V _{DD} = 3.0V ± 0.3V*3						
	I _{DDS1}		Sleep mode		0.7	3.5	mA
V _{DD} = 3.0V ± 0.3V							
Supply current*4	I _{DDS3}	V _{DD}	Stop mode (Termination of EXTAL and TEX pins crystal oscillation)			10	μA
	V _{DD} = 3.0V ± 0.3V						
Input capacity	C _{IN}	PA to PD, PE0 to PE1, PF to PG, PI to PK, AN0 to AN3, EXTAL, RST	Clock 1MHz 0V for all pins excluding measured pins		10	20	pF

*1 This case applies that Port B buffer capability switching register (BUFB: 010F4h, bits 6 and 5 = "1, 1") and Ports G/I/K buffer capability switching register (BUFG: 010F5h, bits 0, 3, 4, 5 and 6 = "1, 1, 1, 1, 1") are ON.

*2 $\overline{\text{RST}}$ pin specifies the input current when the pull-up resistor is selected, and specifies the leakage current when no resistor is selected.

*3 PA to PD, PF to PG and PI to PK pins specify the input current when the pull-up resistor is selected, and specify the leakage current when no resistor is selected.

*4 When all output pins are open.

AC Characteristics

(1) Clock timing

(Ta = -20 to +75°C, VDD = 2.7 to 5.5V, VSS = 0V reference)

Item	Symbol	Pin	Conditions	Min.	Typ.	Max.	Unit
System clock frequency	fc	XTAL EXTAL	Fig. 1, Fig. 2	VDD = 4.5 to 5.5V	1	24	MHz
					1	12	
System clock input pulse width	tXL, tXH	EXTAL	Fig. 1, Fig. 2	External clock drive	VDD = 4.5 to 5.5V	28	ns
						37.5	
System clock input rise time, fall time	tCR, tCF	EXTAL	Fig. 1, Fig. 2			200	ns
Event count input clock pulse width	tEH, tEL	EC	Fig. 3	tsys + 50*1			ns
Event count input clock rise time, fall time	tER, tEF	EC	Fig. 3			20	ms
System clock frequency	fc	TEX TX	VDD = 2.7 to 5.5V Fig. 2 (32kHz clock applied condition)		32.768		kHz
Event count input clock pulse width	tTL, tTH	TEX	Fig. 3	10			µs
Event count input clock rise time, fall time	tTR, tTF	TEX	Fig. 3			20	ms

*1 tsys indicates three values according to the contents of the clock control register (CLC: 000FEh) upper 2 bits (CPU clock selection).

tsys [ns] = 2000/fc (upper two bits = "00"), 4000/fc (upper two bits = "01"), 16000/fc (upper two bits = "11")

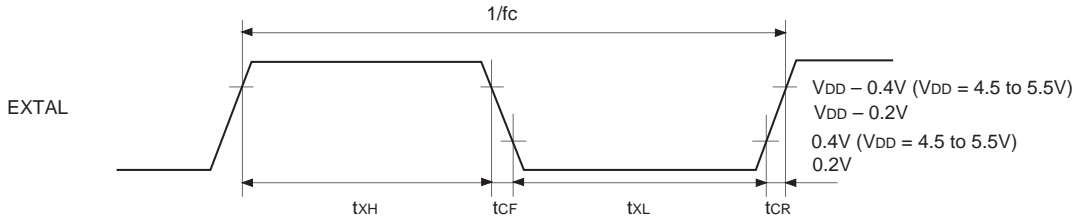


Fig. 1. Clock timing

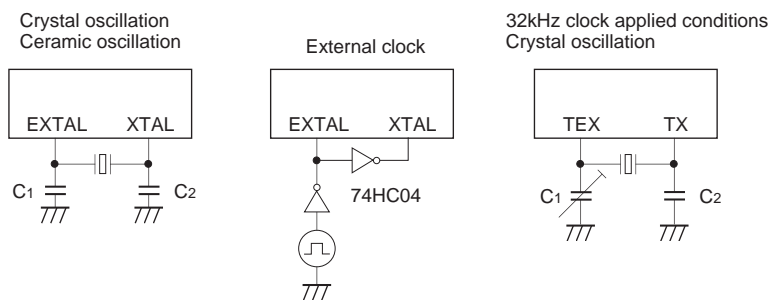


Fig. 2. Clock applied conditions

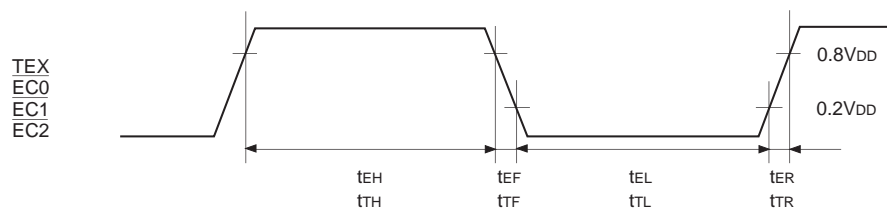


Fig. 3. Event count clock timing

(2) Serial transfer (CH0, CH1)

(Ta = -20 to +75°C, VDD = 4.5 to 5.5V, Vss = 0V reference)

Item	Symbol	Pin	Conditions	Min.	Max.	Unit
$\overline{CS}\downarrow \rightarrow \overline{SCK}$ delay time	t _{DCSK}	$\overline{SCK0}$ $\overline{SCK1}$	Chip select transfer mode (\overline{SCK} = output mode)		1.5t _{sys} + 200	ns
$\overline{CS}\uparrow \rightarrow \overline{SCK}$ floating delay time	t _{DCSKF}	$\overline{SCK0}$ $\overline{SCK1}$	Chip select transfer mode (\overline{SCK} = output mode)		1.5t _{sys} + 200	ns
$\overline{CS}\downarrow \rightarrow SO$ delay time	t _{DCSO}	SO0 SO1	Chip select transfer mode		1.5t _{sys} + 200	ns
$\overline{CS}\uparrow \rightarrow SO$ floating delay time	t _{DCSOF}	SO0 SO1	Chip select transfer mode		1.5t _{sys} + 200	ns
\overline{CS} High level width	t _{WHCS}	$\overline{CS0}$ $\overline{CS1}$	Chip select transfer mode	t _{sys} + 200		ns
\overline{SCK} cycle time	t _{KCY}	$\overline{SCK0}$ $\overline{SCK1}$	Input mode	2t _{sys} + 200		ns
			Output mode	8000/fc		ns
\overline{SCK} High and Low level width	t _{KH} t _{KL}	$\overline{SCK0}$ $\overline{SCK1}$	Input mode	t _{sys} + 100		ns
			Output mode	4000/fc - 50		ns
SI input setup time (for $\overline{SCK}\uparrow$)	t _{SIK}	SI0 SI1	\overline{SCK} input mode	-t _{sys} + 100		ns
			\overline{SCK} output mode	200		ns
SI input hold time (for $\overline{SCK}\uparrow$)	t _{KSI}	SI0 SI1	\overline{SCK} input mode	2t _{sys} + 200		ns
			\overline{SCK} output mode	100		ns
$\overline{SCK}\downarrow \rightarrow SO$ delay time	t _{KSO}	SO0 SO1	\overline{SCK} input mode		2t _{sys} + 200	ns
			\overline{SCK} output mode		100	ns

Note 1) t_{sys} indicates three values according to the contents of the clock control register (CLC: 000FEh) upper 2 bits (CPU clock selection).

t_{sys} [ns] = 2000/fc (upper 2 bits = "00"), 4000/fc (upper 2 bits = "01"), 16000/fc (upper 2 bits = "11")

Note 2) \overline{CS} , \overline{SCK} , SI and SO represent $\overline{CS0}$, $\overline{SCK0}$, SI0 and SO0 for CH0; they represent $\overline{CS1}$, $\overline{SCK1}$, SI1 and SO1 for CH1, respectively.

Note 3) The load of \overline{SCK} output mode and SO output delay time is 50pF + 1TTL.

Note 4) This case applies that Port I/K output buffer capability switching register (BUFG: 010F5h, bits 6, 5, 4 and 3 = "0, 0, 0, 0") is OFF.

Serial transfer (CH0, CH1)

(Ta = -20 to +75°C, VDD = 2.7 to 3.3V, VSS = 0V reference)

Item	Symbol	Pin	Conditions	Min.	Max.	Unit
$\overline{CS}\downarrow \rightarrow \overline{SCK}$ delay time	t _{DCSK}	$\overline{SCK0}$ $\overline{SCK1}$	Chip select transfer mode (\overline{SCK} = output mode)		1.5t _{sys} + 250	ns
$\overline{CS}\uparrow \rightarrow \overline{SCK}$ floating delay time	t _{DCSKF}	$\overline{SCK0}$ $\overline{SCK1}$	Chip select transfer mode (\overline{SCK} = output mode)		1.5t _{sys} + 250	ns
$\overline{CS}\downarrow \rightarrow \overline{SO}$ delay time	t _{DCSO}	SO0 SO1	Chip select transfer mode		1.5t _{sys} + 250	ns
$\overline{CS}\uparrow \rightarrow \overline{SO}$ floating delay time	t _{DCSOF}	SO0 SO1	Chip select transfer mode		1.5t _{sys} + 250	ns
\overline{CS} High level width	t _{WHCS}	$\overline{CS0}$ $\overline{CS1}$	Chip select transfer mode	t _{sys} + 200		ns
\overline{SCK} cycle time	t _{KCY}	$\overline{SCK0}$ $\overline{SCK1}$	Input mode	2t _{sys} + 200		ns
			Output mode	8000/fc		ns
\overline{SCK} High and Low level widths	t _{KH} t _{KL}	$\overline{SCK0}$ $\overline{SCK1}$	Input mode	t _{sys} + 100		ns
			Output mode	4000/fc - 100		ns
SI input setup time (for $\overline{SCK}\uparrow$)	t _{SIK}	SI0 SI1	\overline{SCK} input mode	-t _{sys} + 100		ns
			\overline{SCK} output mode	200		ns
SI input hold time (for $\overline{SCK}\uparrow$)	t _{KSI}	SI0 SI1	\overline{SCK} input mode	2t _{sys} + 200		ns
			\overline{SCK} output mode	100		ns
$\overline{SCK}\downarrow \rightarrow \overline{SO}$ delay time	t _{KSO}	SO0 SO1	\overline{SCK} input mode		2t _{sys} + 250	ns
			\overline{SCK} output mode		125	ns

Note 1) t_{sys} indicates three values according to the contents of the clock control register (CLC: 000FEh) upper 2 bits (CPU clock selection).

t_{sys} [ns] = 2000/fc (upper 2 bits = "00"), 4000/fc (upper 2 bits = "01"), 16000/fc (upper 2 bits = "11")

Note 2) \overline{CS} , \overline{SCK} , SI and SO represent $\overline{CS0}$, $\overline{SCK0}$, SI0 and SO0 for CH0; they represent $\overline{CS1}$, $\overline{SCK1}$, SI1 and SO1 for CH1, respectively.

Note 3) The load of \overline{SCK} output mode and SO output delay time is 50pF.

Note 4) This case applies that Port I/K output buffer capability switching register (BUFG: 010F5h, bits 6, 5, 4 and 3 = "1, 1, 1, 1") is ON.

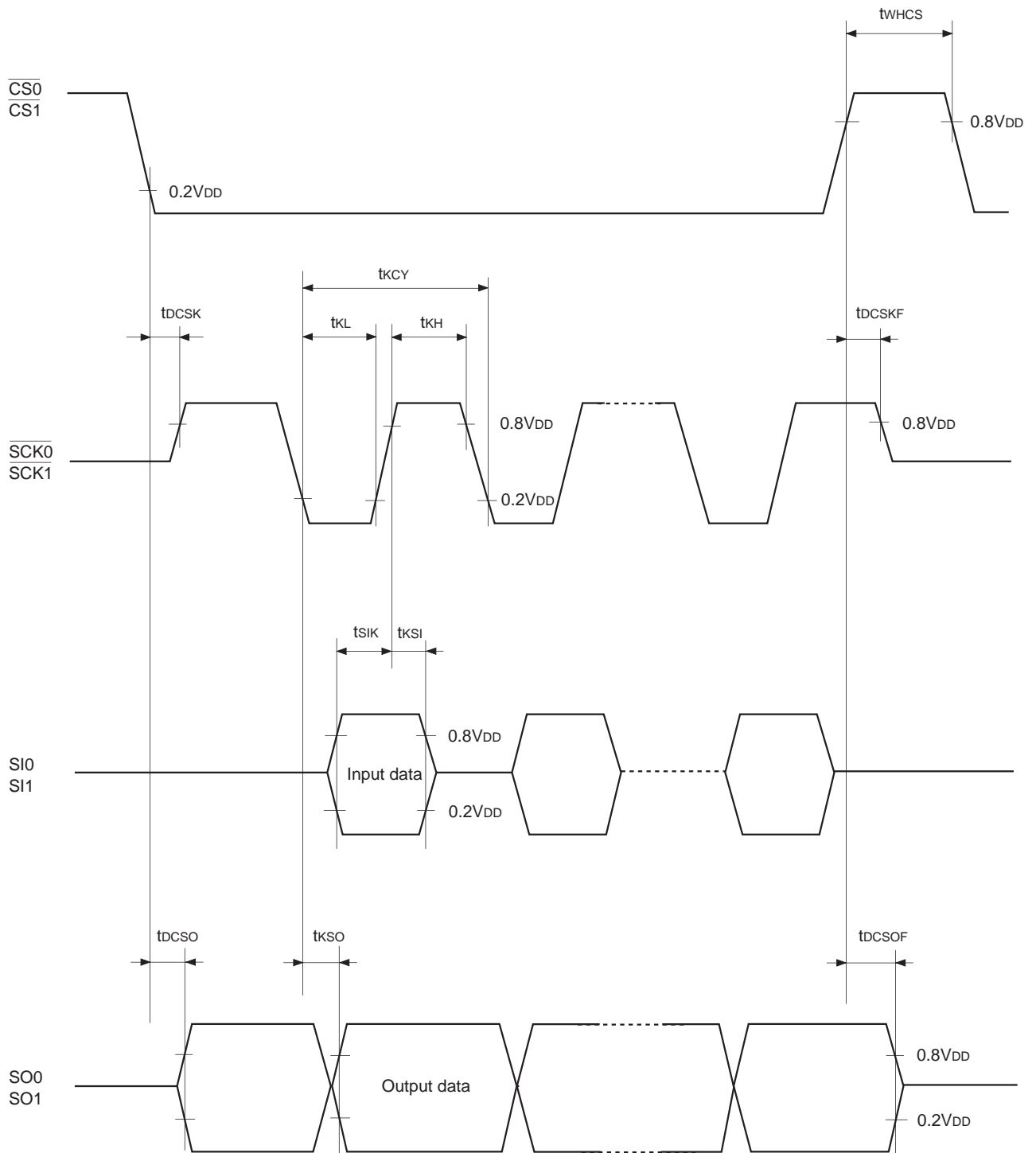


Fig. 4. Serial transfer CH0, CH1 timing

Serial transfer (CH2)(Ta = -20 to +75°C, V_{DD} = 4.5 to 5.5V, V_{SS} = 0V reference)

Item	Symbol	Pin	Conditions	Min.	Max.	Unit
$\overline{\text{SCK}}$ cycle time	t_{KCY}	$\overline{\text{SCK2}}$	Input mode	1000		ns
			Output mode	8000/fc		ns
$\overline{\text{SCK}}$ High and Low level widths	t_{KH} t_{KL}	$\overline{\text{SCK2}}$	Input mode	400		ns
			Output mode	4000/fc - 50		ns
SI input setup time (for $\overline{\text{SCK}}\uparrow$)	t_{SIK}	SI2	$\overline{\text{SCK}}$ input mode	100		ns
			$\overline{\text{SCK}}$ output mode	200		ns
SI input hold time (for $\overline{\text{SCK}}\uparrow$)	t_{KSI}	SI2	$\overline{\text{SCK}}$ input mode	200		ns
			$\overline{\text{SCK}}$ output mode	100		ns
$\overline{\text{SCK}}\downarrow \rightarrow \text{SO}$ delay time	t_{KSO}	SO2	$\overline{\text{SCK}}$ input mode		200	ns
			$\overline{\text{SCK}}$ output mode		100	ns

Note 1) t_{sys} indicates three values according to the contents of the clock control register (CLC: 000FEh) upper 2 bits (CPU clock selection).

t_{sys} [ns] = 2000/fc (upper 2 bits = "00"), 4000/fc (upper 2 bits = "01"), 16000/fc (upper 2 bits = "11")

Note 2) $\overline{\text{SCK}}$, SI and SO represent $\overline{\text{SCK2}}$, SI2 and SO2 for CH2, respectively.

Note 3) The load of $\overline{\text{SCK2}}$ output mode and SO2 output delay time is 50pF + 1TTL.

Note 4) This case applies that Port B output buffer capability switching register (BUFB: 010F4h, bits 6 and 5 = "0, 0") is OFF.

Serial transfer (CH2)(Ta = -20 to +75°C, V_{DD} = 2.7 to 3.3V, V_{SS} = 0V reference)

Item	Symbol	Pin	Conditions	Min.	Max.	Unit
$\overline{\text{SCK}}$ cycle time	t_{KCY}	$\overline{\text{SCK2}}$	Input mode	1000		ns
			Output mode	8000/fc		ns
$\overline{\text{SCK}}$ High and Low level widths	t_{KH} t_{KL}	$\overline{\text{SCK2}}$	Input mode	400		ns
			Output mode	4000/fc - 100		ns
SI input setup time (for $\overline{\text{SCK}}\uparrow$)	t_{SIK}	SI2	$\overline{\text{SCK}}$ input mode	100		ns
			$\overline{\text{SCK}}$ output mode	200		ns
SI input hold time (for $\overline{\text{SCK}}\uparrow$)	t_{KSI}	SI2	$\overline{\text{SCK}}$ input mode	200		ns
			$\overline{\text{SCK}}$ output mode	100		ns
$\overline{\text{SCK}}\downarrow \rightarrow \text{SO}$ delay time	t_{KSO}	SO2	$\overline{\text{SCK}}$ input mode		250	ns
			$\overline{\text{SCK}}$ output mode		125	ns

Note 1) t_{sys} indicates three values according to the contents of the clock control register (CLC: 000FEh) upper 2 bits (CPU clock selection).

t_{sys} [ns] = 2000/fc (upper 2 bits = "00"), 4000/fc (upper 2 bits = "01"), 16000/fc (upper 2 bits = "11")

Note 2) $\overline{\text{SCK}}$, SI and SO represent $\overline{\text{SCK2}}$, SI2 and SO2 for CH2, respectively.

Note 3) The load of $\overline{\text{SCK2}}$ output mode and SO2 output delay time is 50pF.

Note 4) This case applies that Port B output buffer capability switching register (BUFB: 010F4h, bits 6 and 5 = "1, 1") is ON.

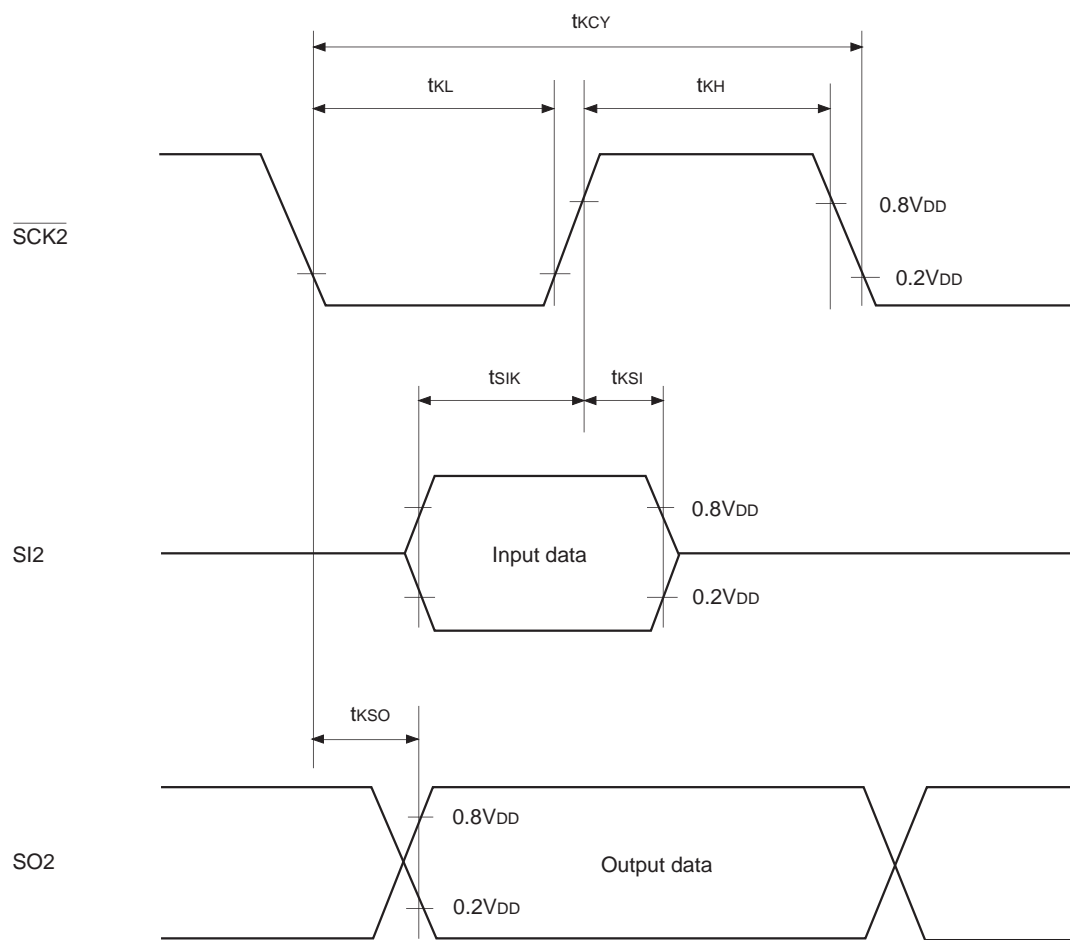


Fig. 5. Serial transfer CH2 timing

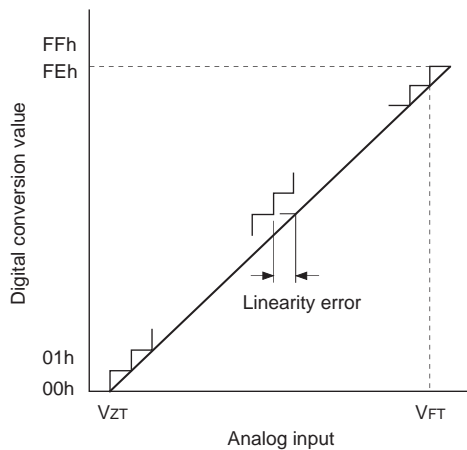
(3) A/D converter characteristics

($T_a = -20$ to $+75^\circ\text{C}$, $V_{DD} = AV_{DD} = 4.5$ to 5.5V , $AV_{REF} = 4.0$ to AV_{DD} , $V_{SS} = AV_{SS} = 0\text{V}$ reference)

Item	Symbol	Pin	Conditions	Min.	Typ.	Max.	Unit
Resolution						8	Bits
Linearity error			$T_a = 25^\circ\text{C}$ $V_{DD} = AV_{DD} = AV_{REF} = 5.0\text{V}$ $V_{SS} = AV_{SS} = 0\text{V}$			± 2	LSB
Absolute error						± 3	LSB
Conversion time	t_{CONV}			$31/f_{ADC}^{*3, *4}$			μs
Sampling time	t_{SAMP}			$10/f_{ADC}^{*3, *4}$			μs
Reference input voltage	V_{REF}	AV_{REF}	$V_{DD} = AV_{DD} = 4.5$ to 5.5V	$AV_{DD} - 0.5$			V
Analog input voltage	V_{IAN}	AN0 to AN11		0			V
AVREF current	I_{REF}	AV_{REF}	Operation mode		0.6	1.0	mA
	I_{REFS}		Sleep mode Stop mode 32kHz operation mode			10	μA

($T_a = -20$ to $+75^\circ\text{C}$, $V_{DD} = AV_{DD} = 2.7$ to 3.3V , $AV_{REF} = 2.7$ to AV_{DD} , $V_{SS} = AV_{SS} = 0\text{V}$ reference)

Item	Symbol	Pin	Conditions	Min.	Typ.	Max.	Unit
Resolution						8	Bits
Linearity error			$T_a = 25^\circ\text{C}$ $V_{DD} = AV_{DD} = AV_{REF} = 3.0\text{V}$ $V_{SS} = AV_{SS} = 0\text{V}$			± 2	LSB
Absolute error						± 3	LSB
Conversion time	t_{CONV}			$31/f_{ADC}^{*3, *4}$			μs
Sampling time	t_{SAMP}			$10/f_{ADC}^{*3, *4}$			μs
Reference input voltage	V_{REF}	AV_{REF}	$V_{DD} = AV_{DD} = 2.7$ to 3.3V	$AV_{DD} - 0.3$			V
Analog input voltage	V_{IAN}	AN0 to AN11		0			V
AVREF current	I_{REF}	AV_{REF}	Operation mode		0.4	0.7	mA
	I_{REFS}		Sleep mode Stop mode 32kHz operation mode			10	μA



*1 V_{ZT} : Value at which the digital conversion value changes from 00h to 01h and vice versa.

*2 V_{FT} : Value at which the digital conversion value changes from FEh to FFh and vice versa.

*3 f_{ADC} indicates the below values due to the contents of bit 6 (CKS) of the A/D control register (ADC: 000F9h).

PS3 selected $f_{ADC} = f_c/4$

PS4 selected $f_{ADC} = f_c/8$

However, when PS3 is selected, f_c is 12MHz or less.

*4 Sub clock operated $t_{CONV} = 34/f_{TEX}$

$t_{SAMP} = 10/f_{TEX}$

Fig. 6. Definition of A/D converter terms

(4) Interruption, reset input (Ta = -20 to +75°C, VDD = 2.7 to 5.5V, Vss = 0V reference)

Item	Symbol	Pin	Conditions	Min.	Max.	Unit
External interruption High and Low level widths	t _{IH} t _{IL}	INT0 INT1 INT2 INT3 INT4 NMI		1		μs
Reset input Low level width	t _{RSL}	$\overline{\text{RST}}$		32/f _c		μs

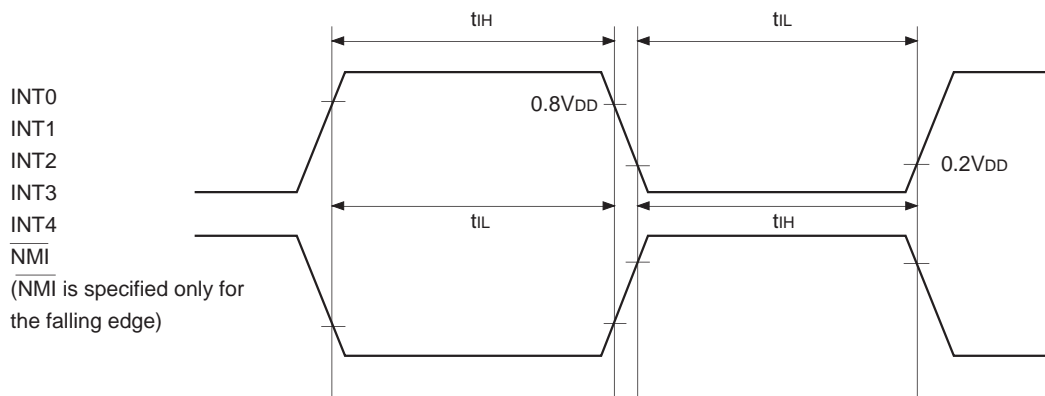


Fig. 7. Interruption input timing

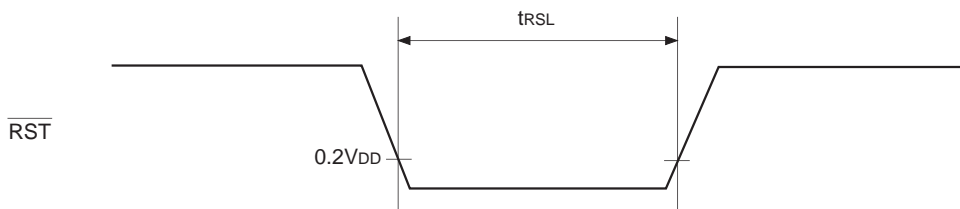


Fig. 8. $\overline{\text{RST}}$ input timing

Appendix

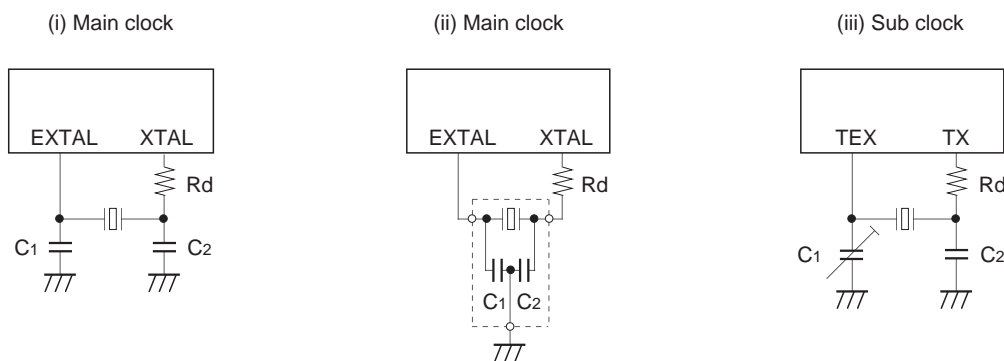


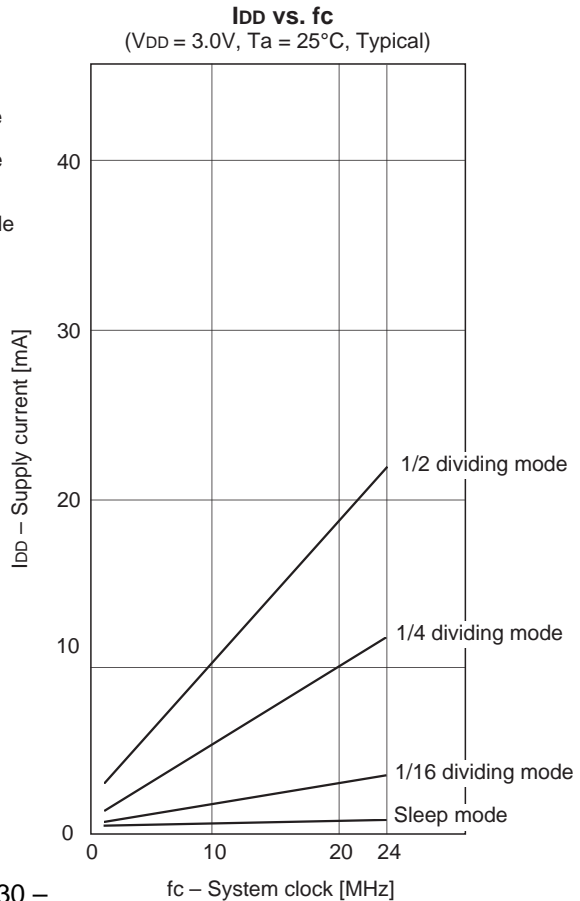
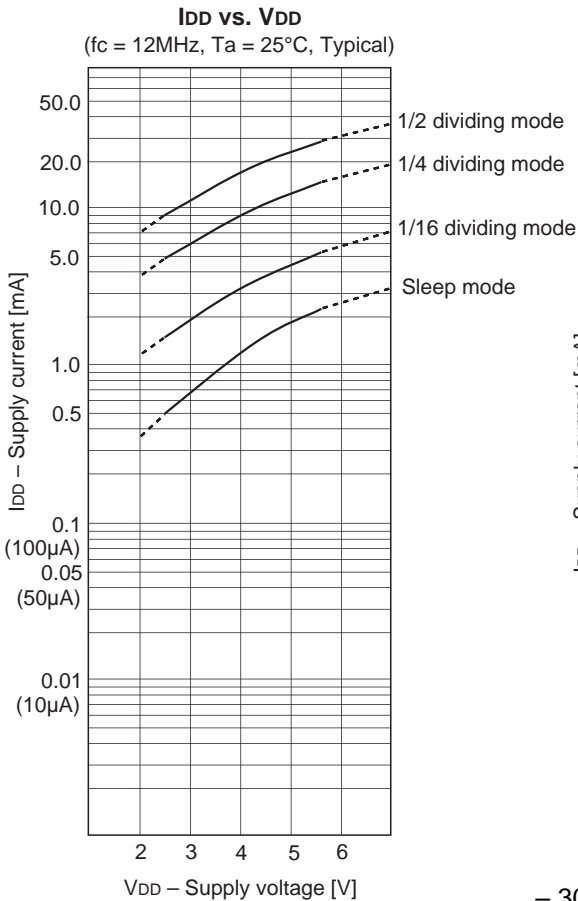
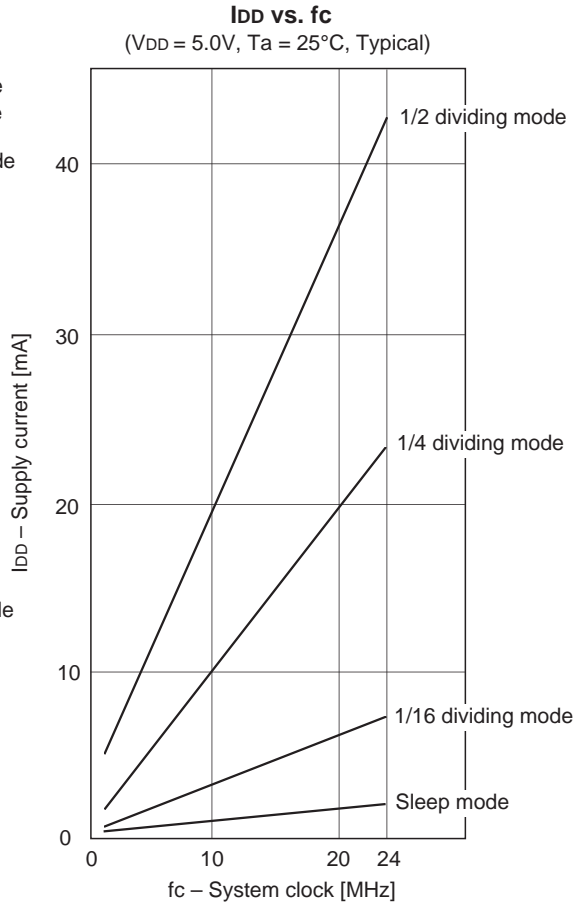
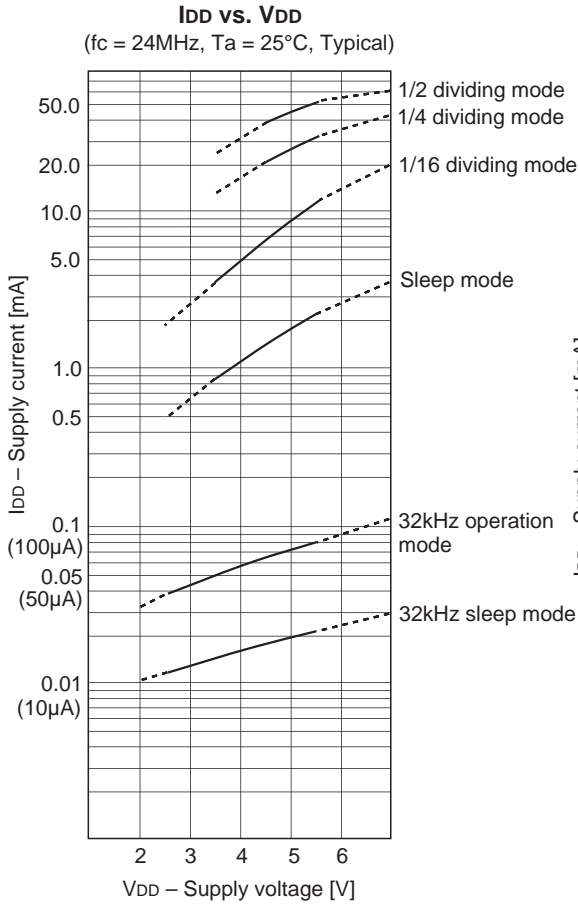
Fig. 9. Recommended oscillation circuit

Manufacturer	Model	fc (MHz)	C1 (pF)	C2 (pF)	Rd (Ω)	Circuit example	Remarks
MURATA MFG CO., LTD.	CSA10.0MTZ	10.0	30	30	0*1	(i)	
	CSA12.0MTZ	12.0					
	CSA16.00MXZ040	16.0	5	5			
	CST10.0MTW*	10.0	30	30		(ii)	
	CST12.0MTW*	12.0					
	CST16.00MXW0C1*	16.0	5	5			
RIVER ELETEC CORPORATION	HC-49/U03	8.0	18	18	330*1	(i)	
		12.0	12	12			
		16.0	10	10			
KINSEKI LTD.	HC-49/U (-S)	8.0	10	10	0*1	(i)	
		12.0	5	5			
		16.0	Open	Open			
Seiko Instruments Inc.	VTC-200 SP-T	32.768kHz	18	18	330k	(iii)	CL = 12.5pF

* Indicates types with on-chip grounding capacitor (C1, C2).

*1 XTAL series resistor (Rd = 500Ω or less) is hard to affect noise by ESD.

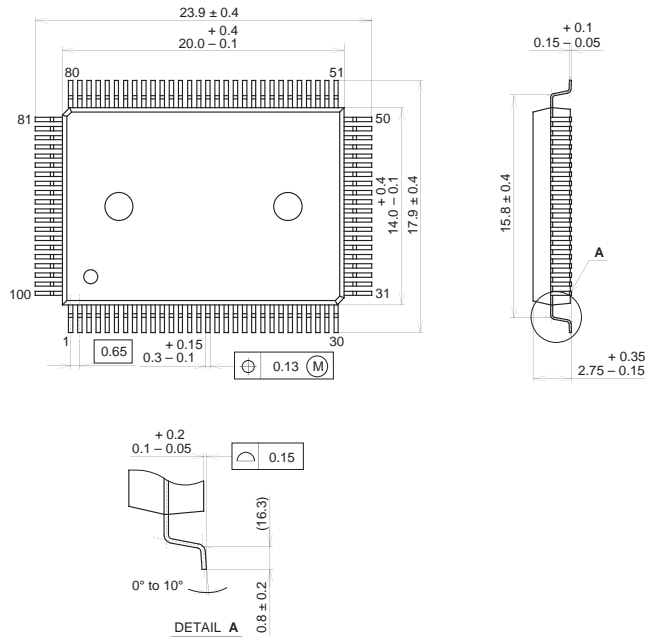
Characteristics Curve



Package Outline

Unit: mm

100PIN QFP (PLASTIC)

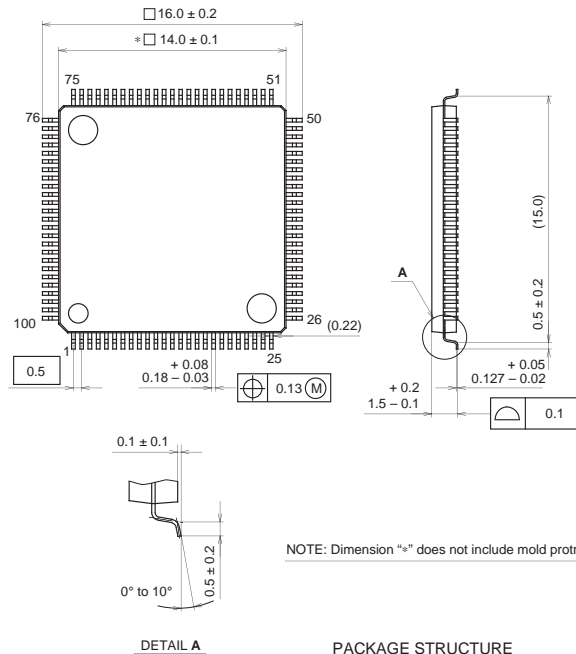


PACKAGE STRUCTURE

SONY CODE	QFP-100P-L01
EIAJ CODE	QFP100-P-1420
JEDEC CODE	

PACKAGE MATERIAL	EPOXY RESIN
LEAD TREATMENT	SOLDER PLATING
LEAD MATERIAL	42/COPPER ALLOY
PACKAGE MASS	1.7g

100PIN LQFP (PLASTIC)



NOTE: Dimension "*" does not include mold protrusion.

PACKAGE STRUCTURE

SONY CODE	LQFP-100P-L01
EIAJ CODE	LQFP100-P-1414
JEDEC CODE	

PACKAGE MATERIAL	EPOXY RESIN
LEAD TREATMENT	SOLDER PLATING
LEAD MATERIAL	42 ALLOY
PACKAGE MASS	0.8g