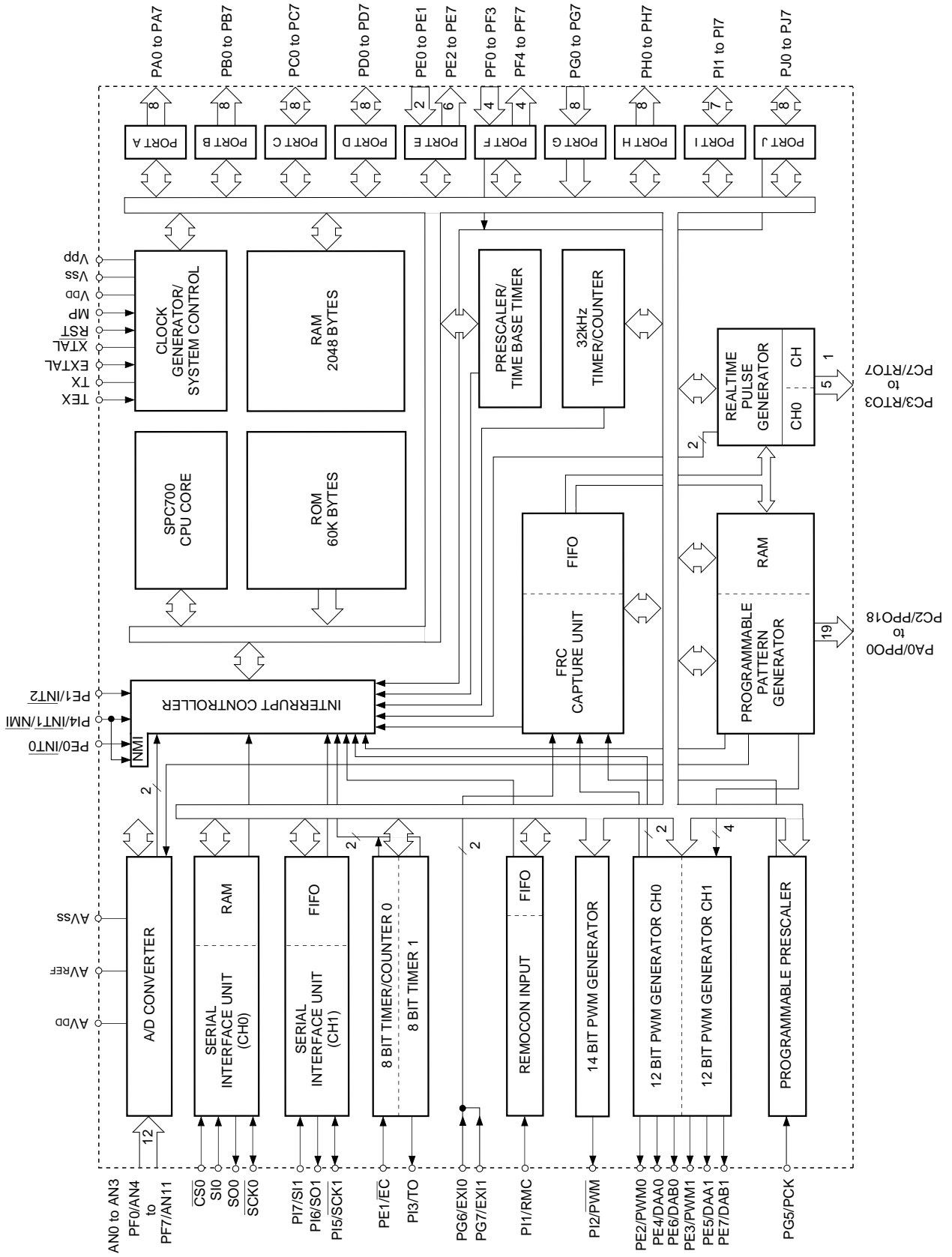
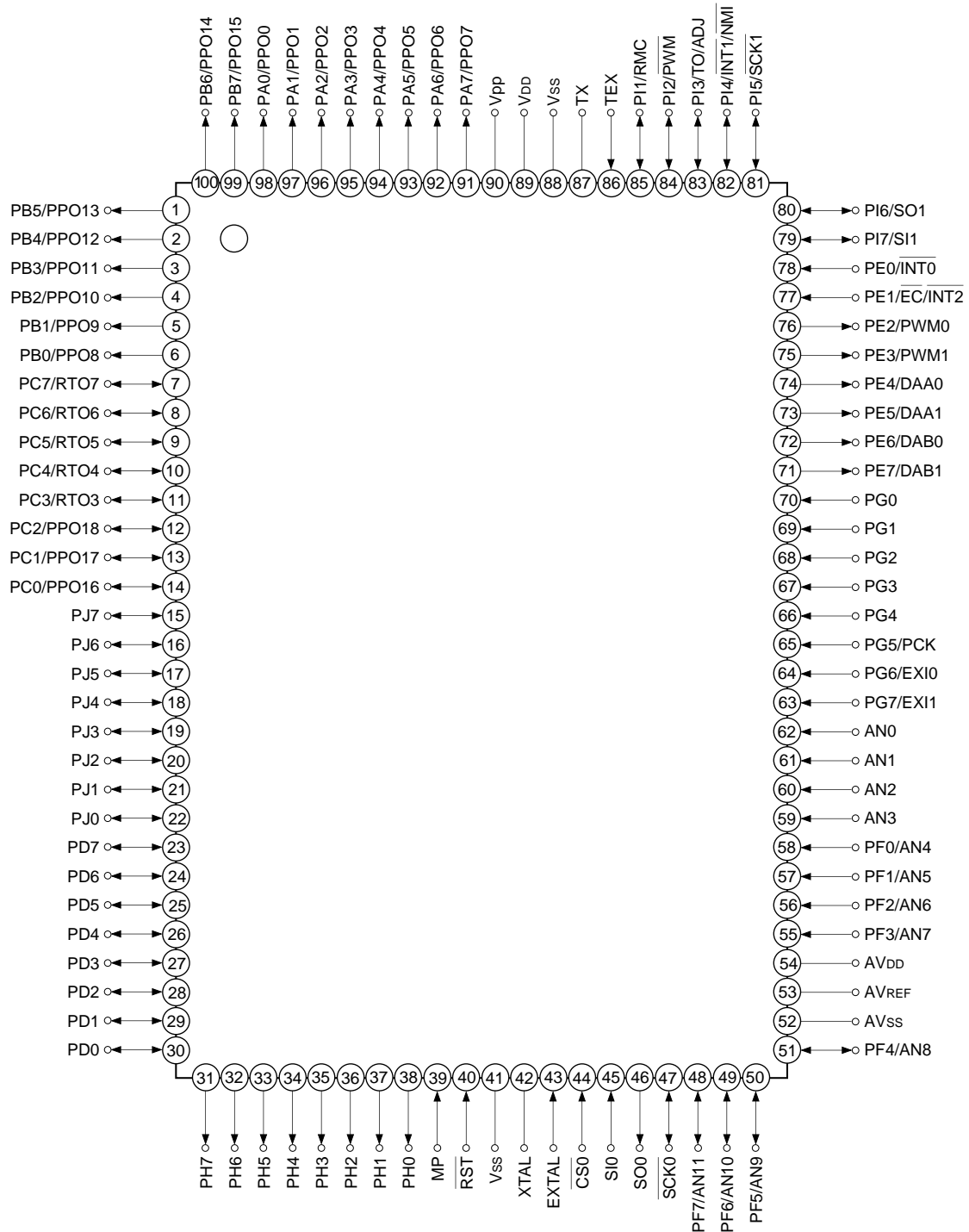




Block Diagram

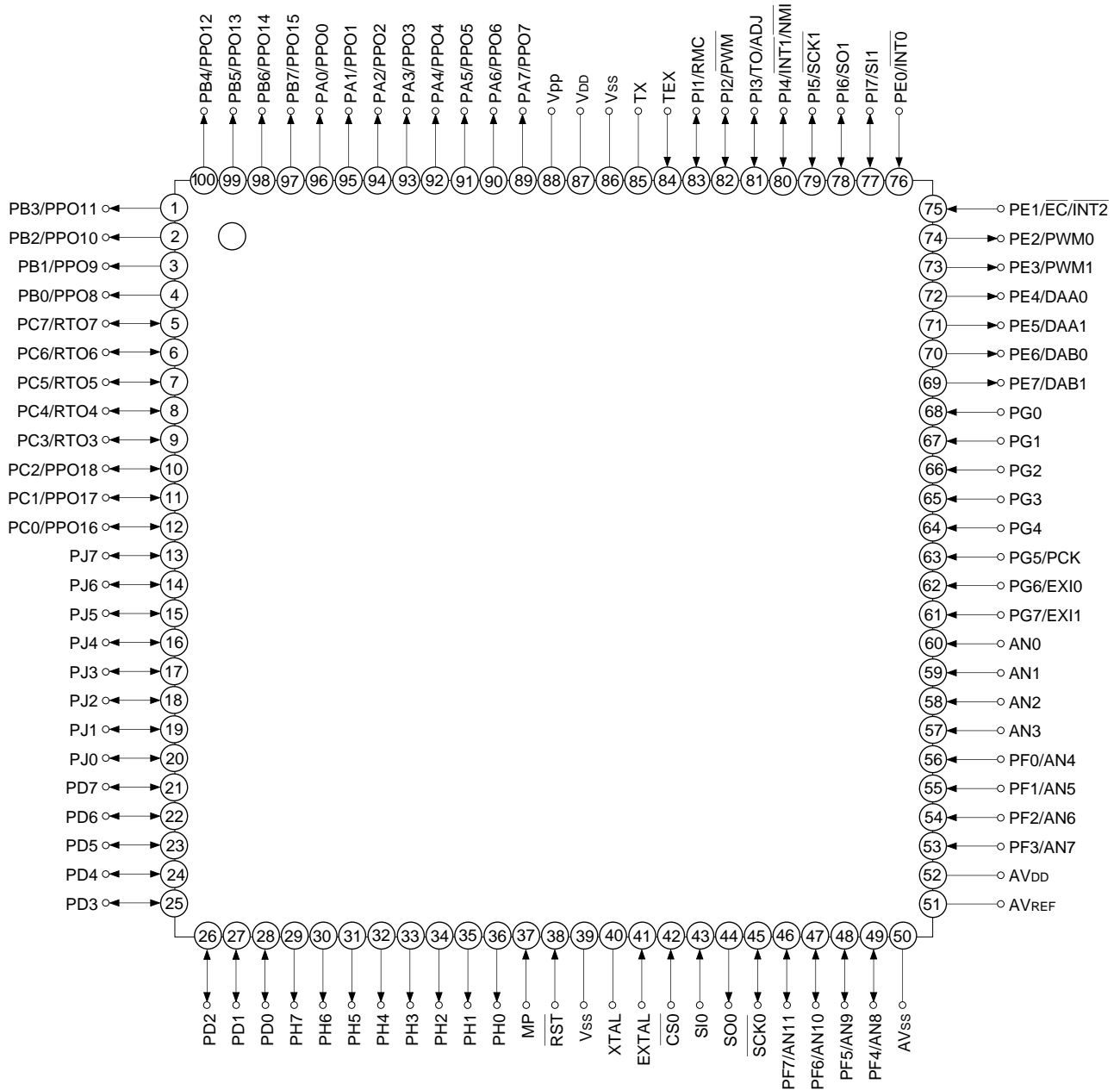


Pin Configuration 1 (Top View) 100-pin QFP package



- Note** 1. Vpp (Pin 90) is always connected to VDD.  
 2. Vss (Pins 41 and 88) are both connected to GND.  
 3. MP (Pin 39) is always connected to GND.

Pin Configuration 2 (Top View) 100-pin LQFP package



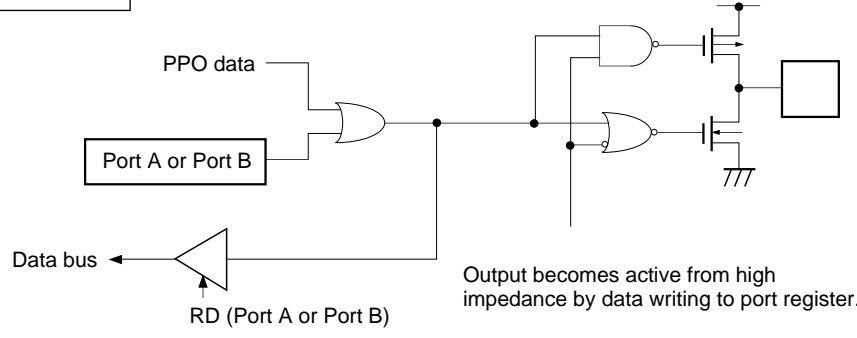
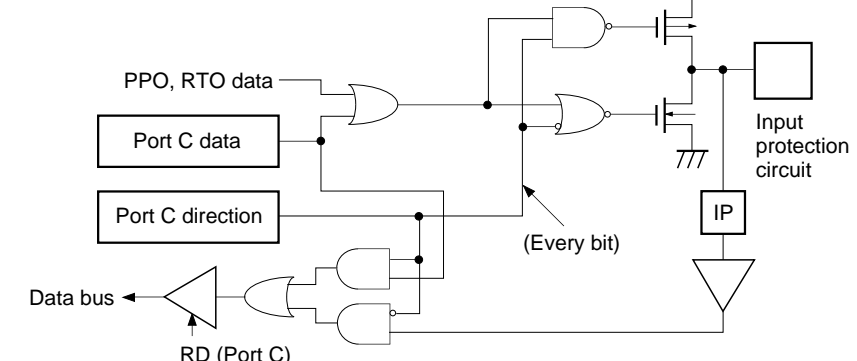
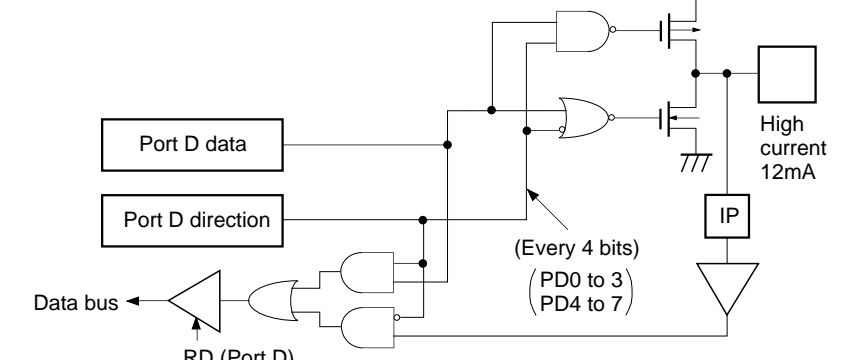
- Note** 1. Vpp (Pin 88) is always connected to VDD.  
 2. Vss (Pins 39 and 86) are both connected to GND.  
 3. MP (Pin 37) is always connected to GND.

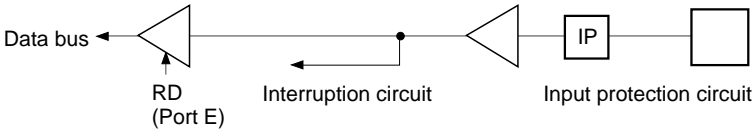
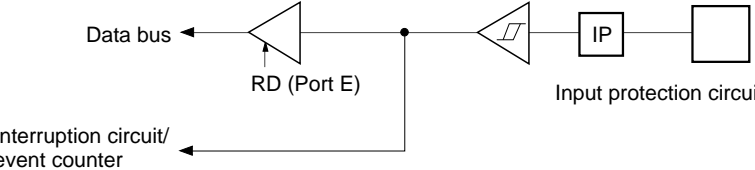
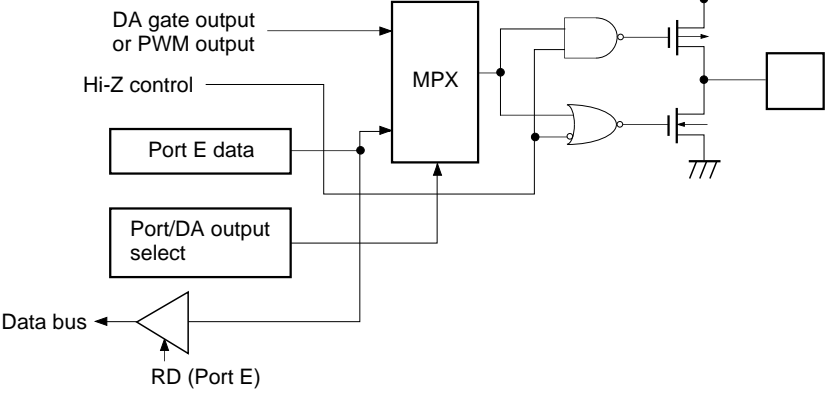
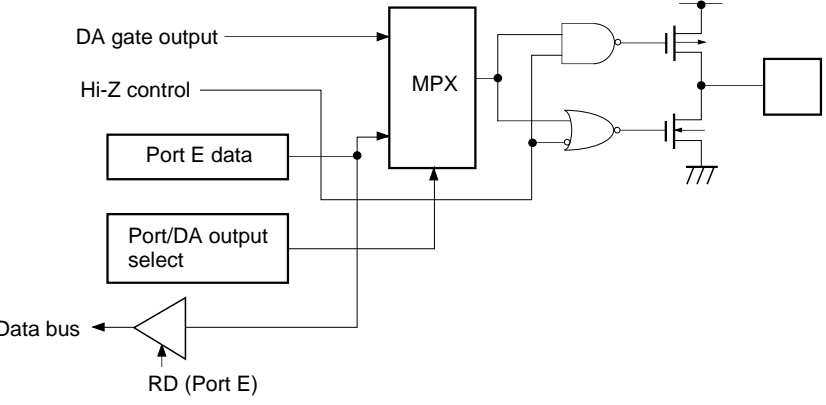
## Pin Description

Symbol	I/O	Description		
PA0/PPO0 to PA7/PPO7	Output/ Real time output	(Port A) 8-bit output port. Data is gated with PPO contents by OR-gate and they are output. (8 pins)	Programmable pattern generator (PPG) output. Functions as high precision real time pulse output port. (19 pins)	
PB0/PPO8 to PB7/PPO15	Output/ Real time output	(Port B) 8-bit output port. Data is gated with PPO contents by OR-gate and they are output. (8 pins)		
PC0/PPO16 to PC2/PPO18	I/O/ Real time output	(Port C) 8-bit I/O port, enables to specify I/O by bit unit. Data is gated with PPO or RTO contents by OR-gate and they are output. (8 pins)		
PC3/RTO3 to PC7/RTO7	I/O/ Real time output		Real time pulse generator (RTG) output. Functions as high precision real time pulse output port. (5 pins)	
PD0 to PD7	I/O	(Port D) 8-bit I/O port. Enable to specify I/O by 4-bit unit. Enables to drive 12mA sink current. (8 pins)		
PE0/ $\overline{\text{INT0}}$	Input/Input	(Port E) 8-bit port. Lower 2 bits are input pins and upper 6 bits are output pins. (8 pins)	Input pin to request external interruption. Active when falling edge.	
PE1/ $\overline{\text{EC}}/\overline{\text{INT2}}$	Input/Input/Input		External event input pin for timer/counter.	Input pin to request external interruption. Active when falling edge.
PE2/PWM0	Output/Output		PWM output pins. (2 pins)	
PE3/PWM1	Output/Output			
PE4/DAA0	Output/Output			
PE5/DAA1	Output/Output			
PE6/DAB0	Output/Output			
PE7/DAB1	Output/Output			DA gate pulse output pins. (4 pins)
AN0 to AN3	Input	Analog input pins to A/D converter. (12 pins)		
PF0/AN4 to PF3/AN7	Input/Input	(Port F) Lower 4 bits are input port and upper 4 bits are output port. Lower 4 bits also serve as standby release input pin. (8 pins)		
PF4/AN8 to PF7/AN11	Output/Input			
$\overline{\text{SCK0}}$	I/O	Serial clock (CH0) I/O pin.		
SO0	Output	Serial data (CH0) output pin.		
SI0	Input	Serial data (CH0) input pin.		
$\overline{\text{CS0}}$	Input	Serial chip select (CH0) input pin.		

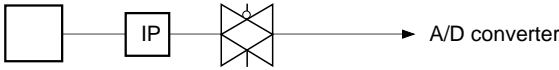
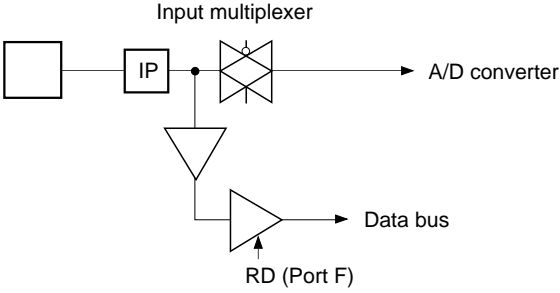
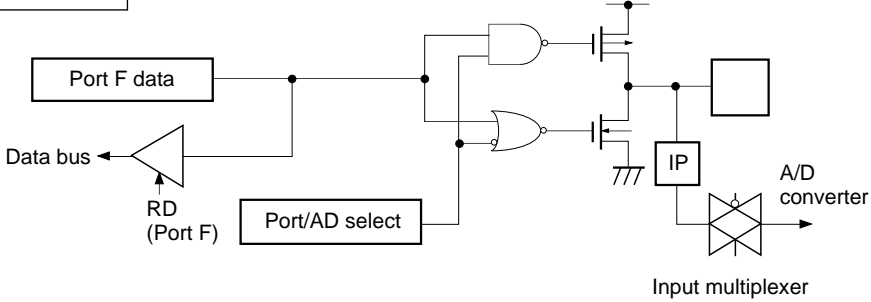
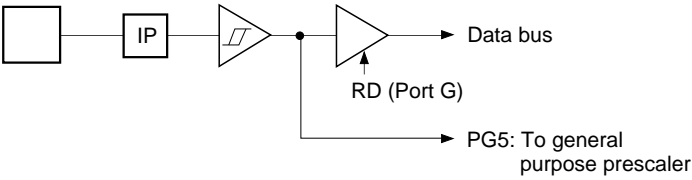
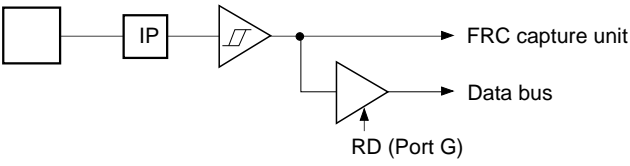
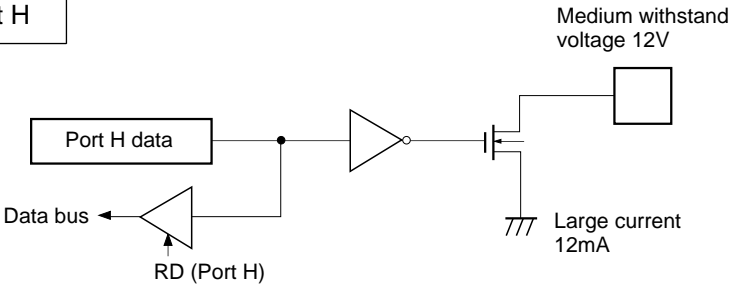
Symbol	I/O	Description	
PG0 to PG4	Input	(Port G) 8-bit input port. (8 pins)	
PG5/PCK			7 bit general purpose prescaler input pin.
PG6/EXI0			External input pin to FRC capture unit.
PG7/EXI1			
PH0 to PH7	Output	(Port H) 8-bit output port ; Medium withstand voltage (12V) and high current (12mA), N-ch open drain output. (8 pins)	
PI1/RMC	I/O/Input	(Port I) 7-bit I/O port. I/O port can be specified by bit unit. (7 pins)	Remote control receiving circuit input pin.
PI2/PWM	I/O/Output		14-bit PWM output pin.
PI3/TO/ADJ	I/O/Output/Output		Timer/counter, 32kHz oscillation adjustment output pin.
PI4/ $\overline{\text{INT1}}$ / NMI	I/O/Input/Input		Input pin to request external interruption and non-maskable interruption. Active when falling edge.
PI5/ $\overline{\text{SCK1}}$	I/O/I/O		Serial clock (CH1) I/O pin.
PI6/SO1	I/O/Output		Serial data (CH1) output pin.
PI7/SI1	I/O/Input		Serial data (CH1) input pin.
PJ0 to PJ7	I/O		(Port J) 8-bit I/O port. Function as standby release input can be specified by bit unit. I/O can be specified by bit unit.
EXTAL	Input	Connecting pin of crystal oscillator for system clock. When supplying the external clock, input the external clock to EXTAL pin and input opposite phase clock to XTAL pin.	
XTAL	Output		
TEX	Input	Connecting pin of crystal oscillator for 32kHz timer clock. When used as event counter, input to TEX pin and leave TX pin open. (Feedback resistor is not removed.)	
TX	Output		
$\overline{\text{RST}}$	Input	System reset pin of active "L" level.	
MP	Input	Microprocessor mode input pin. Always connect to GND.	
AV <sub>DD</sub>		Positive power supply pin of A/D converter.	
AV <sub>REF</sub>	Input	Reference voltage input pin of A/D converter.	
AV <sub>SS</sub>		GND pin of A/D converter.	
V <sub>DD</sub>		Positive power supply pin.	
V <sub>pp</sub>		Positive power supply pin for built-in PROM writing. Please connect to V <sub>DD</sub> for normal operation.	
V <sub>SS</sub>		GND pin. Connect both V <sub>SS</sub> pins to GND.	

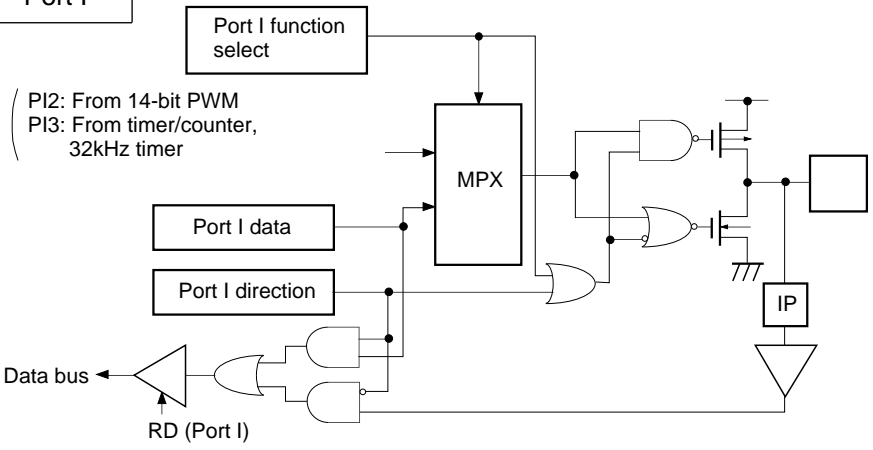
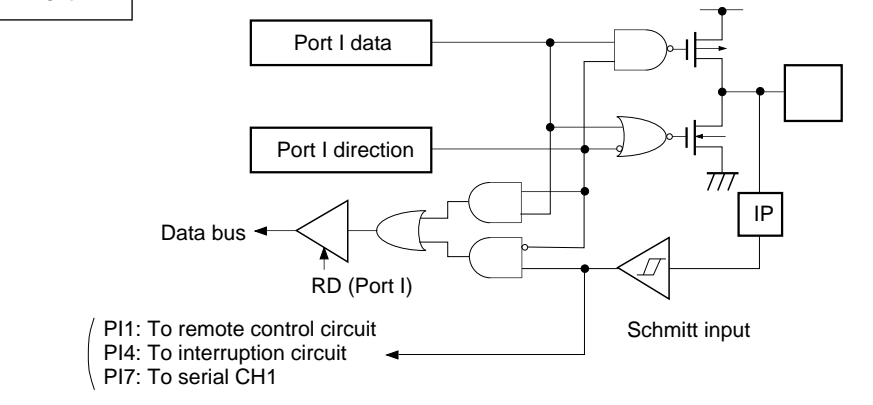
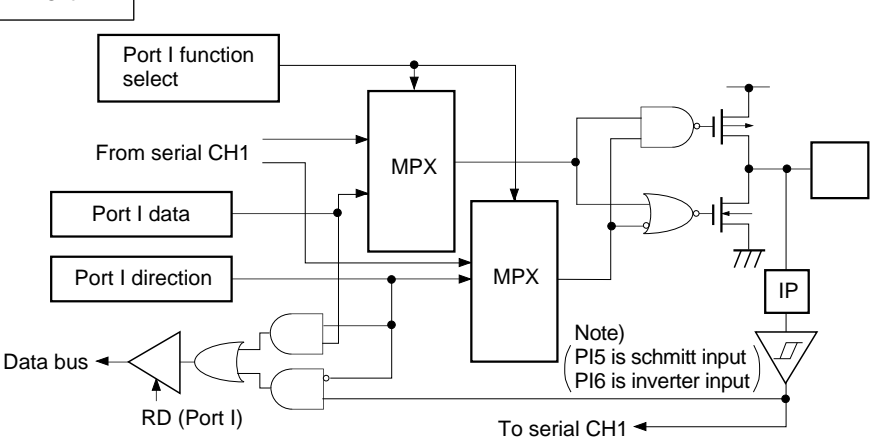
Input/Output Circuit Formats for Pins

Pin	Circuit format	When reset
<p>Port A Port B</p> <p>PA0/PPO0 to PA7/PPO7 PB0/PPO8 to PB7/PPO15</p> <p>16 pins</p>	 <p>Output becomes active from high impedance by data writing to port register.</p>	<p>Hi-Z</p>
<p>Port C</p> <p>PC0/PPO16 to PC2/PPO18 PC3/RTO3 to PC7/RTO7</p> <p>8 pins</p>	 <p>Input protection circuit</p> <p>(Every bit)</p>	<p>Hi-Z</p>
<p>Port D</p> <p>PD0 to PD7</p> <p>8 pins</p>	 <p>High current 12mA</p> <p>(Every 4 bits) (PD0 to 3) (PD4 to 7)</p>	<p>Hi-Z</p>

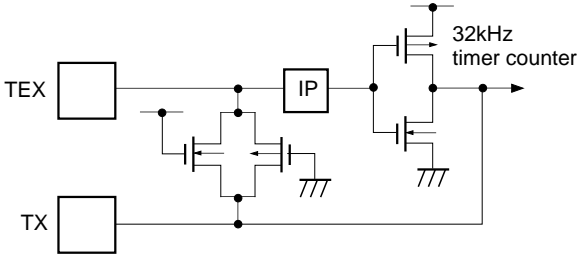
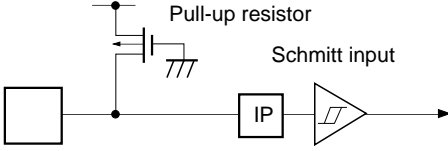
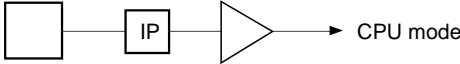
Pin	Circuit format	When reset
<p>PE0/<math>\overline{\text{INT0}}</math></p> <p>1 pin</p>	<p>Port E</p> 	<p>Hi-Z</p>
<p>PE1/<math>\overline{\text{EC}}/\overline{\text{INT2}}</math></p> <p>1 pin</p>	<p>Port E</p> 	<p>Hi-Z</p>
<p>PE2/PWM0 PE3/PWM1 PE4/DAA0 PE5/DAA1</p> <p>4 pins</p>	<p>Port E</p> 	<p>Hi-Z</p>
<p>PE6/DAB0 PE7/DAB1</p> <p>2 pins</p>	<p>Port E</p> 	<p>H level</p>



Pin	Circuit format	When reset
<p>AN0 to AN3</p> <p>4 pins</p>	<p>Input multiplexer</p> 	<p>Hi-Z</p>
<p>PF0/AN4 to PF3/AN7</p> <p>4 pins</p>	<p>Port F</p> <p>Input multiplexer</p> 	<p>Hi-Z</p>
<p>PF4/AN8 to PF7/AN11</p> <p>4 pins</p>	<p>Port F</p> 	<p>Hi-Z</p>
<p>PG0 to PG4</p> <p>PG5/PCK</p> <p>6 pins</p>	<p>Port G</p> <p>Schmitt input</p> 	<p>Hi-Z</p>
<p>PG6/EXI0</p> <p>PG7/EXI1</p> <p>2 pins</p>	<p>Port G</p> <p>Schmitt input</p> 	<p>Hi-Z</p>
<p>PH0 to PH7</p> <p>8 pins</p>	<p>Port H</p> 	<p>Hi-Z</p>

Pin	Circuit format	When reset
<p>PI2/PWM PI3/TO/ADJ</p> <p>2 pins</p>	<p>Port I</p>  <p>Port I function select</p> <p>( PI2: From 14-bit PWM PI3: From timer/counter, 32kHz timer</p> <p>Port I data</p> <p>Port I direction</p> <p>Data bus</p> <p>RD (Port I)</p> <p>MPX</p> <p>IP</p>	<p>Hi-Z</p>
<p>PI1/RMC PI4/INT1/NMI PI7/SI1</p> <p>3 pins</p>	<p>Port I</p>  <p>Port I data</p> <p>Port I direction</p> <p>Data bus</p> <p>RD (Port I)</p> <p>Schmitt input</p> <p>( PI1: To remote control circuit PI4: To interruption circuit PI7: To serial CH1</p> <p>IP</p>	<p>Hi-Z</p>
<p>PI5/SCK1 PI6/SO1</p> <p>2 pins</p>	<p>Port I</p>  <p>Port I function select</p> <p>From serial CH1</p> <p>Port I data</p> <p>Port I direction</p> <p>Data bus</p> <p>RD (Port I)</p> <p>MPX</p> <p>MPX</p> <p>Note) (PI5 is schmitt input PI6 is inverter input)</p> <p>To serial CH1</p> <p>IP</p>	<p>Hi-Z</p>

Pin	Circuit format	When reset
<p>PJ0 to PJ7</p> <p>8 pins</p>		<p>Hi-Z</p>
<p><math>\overline{\text{CS0}}</math> SIO</p> <p>2 pins</p>		<p>Hi-Z</p>
<p>SO0</p> <p>1 pin</p>		<p>Hi-Z</p>
<p><math>\overline{\text{SCK0}}</math></p> <p>1 pin</p>		<p>Hi-Z</p>
<p>EXTAL XTAL</p> <p>2 pins</p>	<ul style="list-style-type: none"> <li>• Shows the circuit composition during oscillation.</li> <li>• Feedback resistor is removed during stop.</li> </ul>	<p>Oscillation</p>

Pin	Circuit format	When reset
<p>TEX TX</p> <p>2 pins</p>	 <ul style="list-style-type: none"> <li>• Shows the circuit composition during oscillation.</li> <li>• Feedback resistor is removed during 32kHz oscillation circuit stop by software. At this time TEX pin outputs "L" level and TX pin outputs "H" level.</li> </ul>	<p>Oscillation</p>
<p><math>\overline{\text{RST}}</math></p> <p>1 pin</p>		<p>L level</p>
<p>MP</p> <p>1 pin</p>		<p>Hi-Z</p>

## Absolute Maximum Ratings

(V<sub>SS</sub> = 0V)

Item	Symbol	Rating	Unit	Remarks
Supply voltage	V <sub>DD</sub>	−0.3 to +7.0	V	
	V <sub>pp</sub>	−0.3 to +13	V	Incorporated PROM
	AV <sub>DD</sub>	AV <sub>SS</sub> to +7.0* <sup>1</sup>	V	
	AV <sub>SS</sub>	−0.3 to +0.3	V	
Input voltage	V <sub>IN</sub>	−0.3 to +7.0* <sup>2</sup>	V	
Output voltage	V <sub>OUT</sub>	−0.3 to +7.0* <sup>2</sup>	V	
Medium withstand output voltage	V <sub>OUTP</sub>	−0.3 to +15.0	V	PH pin
High level output current	I <sub>OH</sub>	−5	mA	
High level total output current	∑I <sub>OH</sub>	−50	mA	Total of output pins
Low level output current	I <sub>OL</sub>	15	mA	Other than large current output pins: per pin
	I <sub>OLC</sub>	20	mA	Large current port pin* <sup>3</sup> : per pin
Low level total output current	∑I <sub>OL</sub>	130	mA	Total of output pins
Operating temperature	T <sub>opr</sub>	−10 to +75	°C	
Storage temperature	T <sub>stg</sub>	−55 to +150	°C	
Allowable power dissipation	P <sub>D</sub>	600	mW	QFP package type
		380		LQFP package type

\*<sup>1</sup> AV<sub>DD</sub> and V<sub>DD</sub> should be set to a same voltage.

\*<sup>2</sup> V<sub>IN</sub> and V<sub>OUT</sub> should not exceed V<sub>DD</sub> + 0.3V.

\*<sup>3</sup> The large current operation transistors are the N-CH transistors of the PD and PH ports.

**Note)** Usage exceeding absolute maximum ratings may permanently impair the LSI. Normal operation should better take place under the recommended operating conditions. Exceeding those conditions may adversely affect the reliability of the LSI.

## Recommended Operating Conditions

(V<sub>SS</sub> = 0V)

Item	Symbol	Min.	Max.	Unit	Remarks
Supply voltage	V <sub>DD</sub>	3.0	5.5	V	Guaranteed range during high speed mode (1/2 dividing clock) operation
		2.7	5.5	V	Guaranteed range during low speed mode (1/16 dividing clock) operation
		2.7	5.5	V	Guaranteed operation range by TEX clock
		2.0	5.5	V	Guaranteed data hold operation range during STOP
Analog power supply	AV <sub>DD</sub>	3.0	5.5	V	*1
High level input voltage	V <sub>IH</sub>	0.7V <sub>DD</sub>	V <sub>DD</sub>	V	*2
	V <sub>IHS</sub>	0.8V <sub>DD</sub>	V <sub>DD</sub>	V	CMOS schmitt input*3 and PE0/ $\overline{\text{INT0}}$ pin
			5.5	V	CMOS schmitt input*6
	V <sub>IHEX</sub>	V <sub>DD</sub> - 0.4	V <sub>DD</sub> + 0.3	V	EXTAL pin*4, *7 and TEX pin*5, *7
			V <sub>DD</sub> + 0.2	V	EXTAL pin*4, *8 and TEX pin*5, *8
Low level input voltage	V <sub>IL</sub>	0	0.3V <sub>DD</sub>	V	*2, *7
		0	0.2V <sub>DD</sub>	V	*2, *8
	V <sub>ILS</sub>	0	0.2V <sub>DD</sub>	V	CMOS schmitt input*3 and PE0/ $\overline{\text{INT0}}$ pin
	V <sub>ILEX</sub>	-0.3	0.4	V	EXTAL pin*4, *7 and TEX pin*5, *7
			0.2	V	EXTAL pin*4, *8 and TEX pin*5, *8
Operating temperature	Topr	-10	+75	°C	

\*1 AV<sub>DD</sub> and V<sub>DD</sub> should be set to a same voltage.

\*2 Normal input port (each pin of PC, PD, PF0 to PF3, PG, PI and PJ), MP pin.

\*3 Each pin of  $\overline{\text{SCK0}}$ ,  $\overline{\text{RST}}$ , PE1/ $\overline{\text{EC/INT2}}$ , PI1/ $\overline{\text{RMC}}$ , PI4/ $\overline{\text{INT1/NMI}}$ , PI5/ $\overline{\text{SCK1}}$  and PI7/SI1.

\*4 It specifies only when the external clock is input.

\*5 It specifies only when the external event count clock is input.

\*6 Each pin of  $\overline{\text{CS0}}$ , SI0, and PG.

\*7 In case of 4.5 to 5.5V supply voltage (V<sub>DD</sub>).

\*8 In case of 3.0 to 3.6V supply voltage (V<sub>DD</sub>).

**Electrical Characteristics**

**DC Characteristics** ( $V_{DD} = 4.5$  to  $5.5V$ )

( $T_a = -10$  to  $+75^{\circ}C$ ,  $V_{SS} = 0V$ )

Item	Symbol	Pins	Conditions	Min.	Typ.	Max.	Unit
High level output voltage	$V_{OH}$	PA to PD, PE2 to PE7, PF4 to PF7, PH ( $V_{OL}$ only)	$V_{DD} = 4.5V$ , $I_{OH} = -0.5mA$	4.0			V
			$V_{DD} = 4.5V$ , $I_{OH} = -1.2mA$	3.5			V
Low level output voltage	$V_{OL}$	PI1 to PI7	$V_{DD} = 4.5V$ , $I_{OL} = 1.8mA$			0.4	V
			$V_{DD} = 4.5V$ , $I_{OL} = 3.6mA$			0.6	V
		PJ, SO0, SCK0	$V_{DD} = 4.5V$ , $I_{OL} = 12.0mA$			1.5	V
Input current	$I_{IHE}$	EXTAL	$V_{DD} = 5.5V$ , $V_{IH} = 5.5V$	0.5		40	$\mu A$
	$I_{ILE}$		$V_{DD} = 5.5V$ , $V_{IL} = 0.4V$	-0.5		-40	$\mu A$
	$I_{IHT}$	TEX	$V_{DD} = 5.5V$ , $V_{IH} = 5.5V$	0.1		10	$\mu A$
	$I_{ILT}$		$V_{DD} = 5.5V$ , $V_{IL} = 0.4V$	-0.1		-10	$\mu A$
	$I_{ILR}$		$\overline{RST}$	$V_{DD} = 5.5V$ , $V_{IL} = 0.4V$	-1.5		-400
I/O leakage current	$I_{IZ}$	PA to PG, PI, PJ, MP, AN0 to AN3, CS0, SI0, SO0, SCK0	$V_{DD} = 5.5V$ , $V_I = 0, 5.5V$			$\pm 10$	$\mu A$
Open drain output leakage current (N-CH Tr OFF in state)	$I_{LOH}$	PH	$V_{DD} = 5.5V$ , $V_{OH} = 12V$			50	$\mu A$
Supply current*1	$I_{DD1}$	$V_{DD}$	16MHz crystal oscillation ( $C_1 = C_2 = 15pF$ )		28	50	$mA$
			$V_{DD} = 5V \pm 0.5V^{*2}$				
	SLEEP mode			1.7	8	$mA$	
	$V_{DD} = 5V \pm 0.5V$						
	$I_{DD2}$		32kHz crystal oscillation ( $C_1 = C_2 = 47pF$ )		0.7	2	$mA$
$I_{DD3}$	$V_{DD} = 3V \pm 0.3V$						
	SLEEP mode		8	35	$\mu A$		
$I_{DD3}$	$V_{DD} = 3V \pm 0.3V$						
	STOP mode (EXTAL and TEX pins oscillation stop)				30	$\mu A$	
$I_{DD3}$	$V_{DD} = 5V \pm 0.5V$						
Input capacity	$C_{IN}$	Other than $V_{DD}$ , $V_{SS}$ , $AV_{DD}$ , and $AV_{SS}$	Clock 1MHz 0V other than the measured pins		10	20	$pF$

\*1 When entire output pins are open.

\*2 When setting upper 2 bits (CPU clock selection) of clock control register CLC (address: 00FEH) to "00" and operating in high speed mode (1/2 dividing clock).

DC Characteristics ( $V_{DD} = 3.0$  to  $3.6V$ )

( $T_a = -10$  to  $+75^\circ C$ ,  $V_{SS} = 0V$ )

Item	Symbol	Pins	Conditions	Min.	Typ.	Max.	Unit
High level output voltage	$V_{OH}$	PA to PD, PE2 to PE7, PF4 to PF7,	$V_{DD} = 3.0V$ , $I_{OH} = -0.15mA$	2.7			V
			$V_{DD} = 3.0V$ , $I_{OH} = -0.5mA$	2.3			V
Low level output voltage	$V_{OL}$	PH (VOL only) PI1 to PI7	$V_{DD} = 3.0V$ , $I_{OL} = 1.2mA$			0.3	V
			$V_{DD} = 3.0V$ , $I_{OL} = 1.6mA$			0.5	V
		PD, PH	$V_{DD} = 3.0V$ , $I_{OL} = 5mA$			1.0	V
Input current	$I_{IHE}$	EXTAL	$V_{DD} = 3.6V$ , $V_{IH} = 3.6V$	0.3		20	$\mu A$
	$I_{ILE}$		$V_{DD} = 3.6V$ , $V_{IL} = 0.3V$	-0.3		-20	$\mu A$
	$I_{IHT}$	TEX	$V_{DD} = 3.6V$ , $V_{IH} = 3.6V$	0.1		10	$\mu A$
	$I_{ILT}$		$V_{DD} = 3.6V$ , $V_{IL} = 0.3V$	-0.1		-10	$\mu A$
	$I_{ILR}$	$\overline{RST}$	$V_{DD} = 3.6V$ , $V_{IL} = 0.3V$	-0.9		-200	$\mu A$
I/O leakage current	$I_{IZ}$	PA to PG, PI, PJ, MP AN0 to AN3, CS0, SI0, SO0 SCK0	$V_{DD} = 3.6V$ , $V_I = 0, 3.6V$			$\pm 10$	$\mu A$
Open drain output leakage current	$I_{LOH}$	PH	$V_{DD} = 3.6V$ , $V_{OH} = 12V$			50	$\mu A$
Supply current*1	$I_{DD1}$	$V_{DD}$	12MHz crystal oscillation ( $C_1 = C_2 = 15pF$ ) $V_{DD} = 3.3V \pm 0.3V^{*2}$		12	25	mA
	$I_{DDS1}$		SLEEP mode $V_{DD} = 3.3V \pm 0.3V$		0.8	30	mA
	$I_{DDS3}$		STOP mode (EXTAL and TEX pins oscillation stop) $V_{DD} = 3.3V \pm 0.3V$			2.5	$\mu A$
Input capacity	$C_{IN}$	Other than $V_{DD}$ , $V_{SS}$ , $AV_{DD}$ , and $AV_{SS}$	Clock 1MHz 0V other than the measured pins		10	20	pF

\*1 When entire output pins are open.

\*2 When setting upper 2 bits (CPU clock selection) of clock control register CLC (address: 00FEH) to "00" and operating in high speed mode (1/2 dividing clock).



AC Characteristics

(1) Clock timing

( $T_a = -10$  to  $+75^\circ\text{C}$ ,  $V_{DD} = 3.0$  to  $5.5\text{V}$ ,  $V_{SS} = 0\text{V}$ )

Item	Symbol	Pins	Conditions	Min.	Max.	Unit	
System clock frequency	$f_c$	XTAL EXTAL	Fig. 1, Fig. 2	$V_{DD} = 4.5$ to $5.5\text{V}$	1	16	MHz
					1	12	
System clock input pulse width	$t_{XL}$ , $t_{XH}$	XTAL EXTAL	Fig. 1, Fig. 2 (External clock drive)	$V_{DD} = 4.5$ to $5.5\text{V}$	28		ns
					37.5		
System clock input rise and fall times	$t_{CR}$ , $t_{CF}$	XTAL EXTAL	Fig. 1, Fig. 2 (External clock drive)		200	ns	
Event count clock input pulse width	$t_{EH}$ , $t_{EL}$	$\overline{\text{EC}}$	Fig. 3	$t_{\text{sys}} \times 4^*$		ns	
Event count clock input rise and fall times	$t_{ER}$ , $t_{EF}$	$\overline{\text{EC}}$	Fig. 3		20	ns	
System clock frequency	$f_c$	TEX TX	Fig. 2 $V_{DD} = 2.7$ to $5.5\text{V}$ (32kHz clock applied condition)	32.768		kHz	
Event count clock input pulse width	$t_{TL}$ , $t_{TH}$	TEX	Fig. 3	10		$\mu\text{s}$	
Event count clock input rise and fall times	$t_{TR}$ , $t_{TF}$	TEX	Fig. 3		20	ms	

\*  $t_{\text{sys}}$  indicates three values according to the contents of the clock control register (address; 00FEH) upper 2 bits (CPU clock selection).

$$t_{\text{sys}} [\text{ns}] = 2000/f_c \text{ (Upper 2 bits = "00")}, 4000/f_c \text{ (Upper 2 bits = "01")}, 16000/f_c \text{ (Upper 2 bits = "11")}$$

Fig. 1. Clock timing

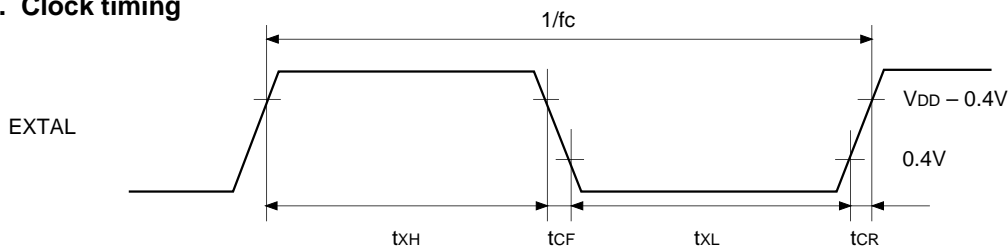


Fig. 2. Clock applied condition

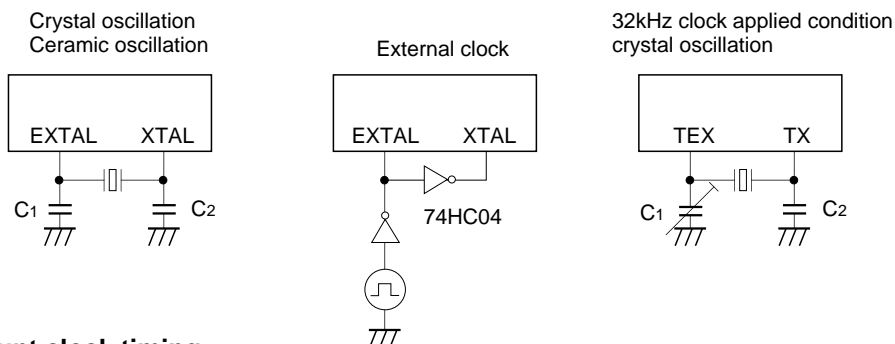
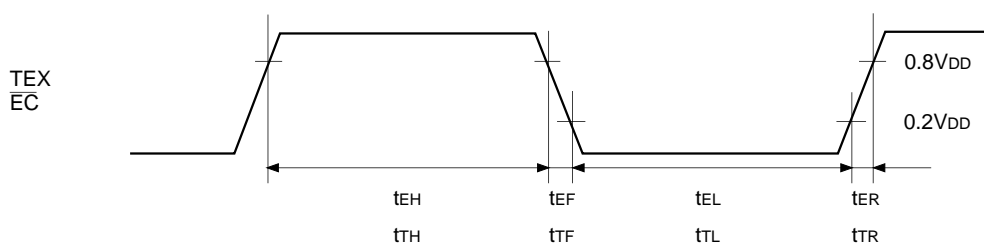


Fig. 3. Event count clock timing



(2) Serial transfer (CH0)

(Ta = -10 to +75°C, VDD = 4.5 to 5.5V, Vss = 0V)

Item	Symbol	Pin	Condition	Min.	Max.	Unit
$\overline{CS} \downarrow \rightarrow \overline{SCK}$ delay time	t <sub>DCSK</sub>	$\overline{SCK0}$	Chip select transfer mode ( $\overline{SCK}$ = output mode)		t <sub>sys</sub> + 200	ns
$\overline{CS} \uparrow \rightarrow \overline{SCK}$ floating delay time	t <sub>DCSKF</sub>	$\overline{SCK0}$	Chip select transfer mode ( $\overline{SCK}$ = output mode)		t <sub>sys</sub> + 200	ns
$\overline{CS} \downarrow \rightarrow SO$ delay time	t <sub>DCSO</sub>	SO0	Chip select transfer mode		t <sub>sys</sub> + 200	ns
$\overline{CS} \downarrow \rightarrow SO$ floating delay time	t <sub>DCSOF</sub>	SO0	Chip select transfer mode		t <sub>sys</sub> + 200	ns
$\overline{CS}$ high level width	t <sub>WHCS</sub>	$\overline{CS0}$	Chip select transfer mode	t <sub>sys</sub> + 200		ns
$\overline{SCK}$ cycle time	t <sub>KCY</sub>	$\overline{SCK0}$	Input mode	2t <sub>sys</sub> + 200		ns
			Output mode	16000/fc		ns
$\overline{SCK}$ high and low level widths	t <sub>KH</sub> t <sub>KL</sub>	$\overline{SCK0}$	Input mode	t <sub>sys</sub> + 100		ns
			Output mode	8000/fc - 100		ns
SI input setup time (against $\overline{SCK} \uparrow$ )	t <sub>SIK</sub>	SI0	$\overline{SCK}$ input mode	-t <sub>sys</sub> + 100		ns
			$\overline{SCK}$ output mode	200		ns
SI input hold time (against $\overline{SCK} \uparrow$ )	t <sub>KSI</sub>	SI0	$\overline{SCK}$ input mode	2t <sub>sys</sub> + 100		ns
			$\overline{SCK}$ output mode	100		ns
$\overline{SCK} \downarrow \rightarrow SO$ delay time	t <sub>KSO</sub>	SO0	$\overline{SCK}$ input mode		2t <sub>sys</sub> + 200	ns
			$\overline{SCK}$ output mode		100	ns

**Note 1)** t<sub>sys</sub> indicates three values according to the contents of the clock control register (address; 00FEH) upper 2 bits (CPU clock selection).

t<sub>sys</sub> [ns] = 2000/fc (Upper 2 bits = "00"), 4000/fc (Upper 2 bits = "01"), 16000/fc (Upper 2 bits = "11")

**Note 2)**  $\overline{CS}$ ,  $\overline{SCK}$ , SI and SO means each pin of  $\overline{CS} \rightarrow \overline{CS0}$ ,  $\overline{SCK} \rightarrow \overline{SCK0}$ , SI  $\rightarrow$  SI0, and SO  $\rightarrow$  SO0 respectively.

**Note 3)** The load of  $\overline{SCK}$  output mode and SO output delay time is 50pF + 1TTL.

**Serial transfer (CH0)**

(Ta = -10 to +75°C, VDD = 2.7 to 3.3V, VSS = 0V)

Item	Symbol	Pin	Condition	Min.	Max.	Unit
$\overline{CS} \downarrow \rightarrow \overline{SCK}$ delay time	t <sub>DCSK</sub>	$\overline{SCK0}$	Chip select transfer mode (SCK = output mode)		t <sub>sys</sub> + 250	ns
$\overline{CS} \uparrow \rightarrow \overline{SCK}$ floating delay time	t <sub>DCSKF</sub>	$\overline{SCK0}$	Chip select transfer mode (SCK = output mode)		t <sub>sys</sub> + 200	ns
$\overline{CS} \downarrow \rightarrow SO$ delay time	t <sub>DCSO</sub>	SO0	Chip select transfer mode		t <sub>sys</sub> + 250	ns
$\overline{CS} \downarrow \rightarrow SO$ floating delay time	t <sub>DCSOF</sub>	SO0	Chip select transfer mode		t <sub>sys</sub> + 200	ns
$\overline{CS}$ high level width	t <sub>WHCS</sub>	$\overline{CS0}$	Chip select transfer mode	t <sub>sys</sub> + 200		ns
$\overline{SCK}$ cycle time	t <sub>KCY</sub>	$\overline{SCK0}$	Input mode	2t <sub>sys</sub> + 200		ns
			Output mode	16000/fc		ns
$\overline{SCK}$ high and low level widths	t <sub>KH</sub> t <sub>KL</sub>	$\overline{SCK0}$	Input mode	t <sub>sys</sub> + 100		ns
			Output mode	8000/fc - 150		ns
SI input setup time (against $\overline{SCK} \uparrow$ )	t <sub>SIK</sub>	SI0	$\overline{SCK}$ input mode	-t <sub>sys</sub> + 100		ns
			$\overline{SCK}$ output mode	200		ns
SI input hold time (against $\overline{SCK} \uparrow$ )	t <sub>KSI</sub>	SI0	$\overline{SCK}$ input mode	2t <sub>sys</sub> + 100		ns
			$\overline{SCK}$ output mode	100		ns
$\overline{SCK} \downarrow \rightarrow SO$ delay time	t <sub>KSO</sub>	SO0	$\overline{SCK}$ input mode		2t <sub>sys</sub> + 250	ns
			$\overline{SCK}$ output mode		125	ns

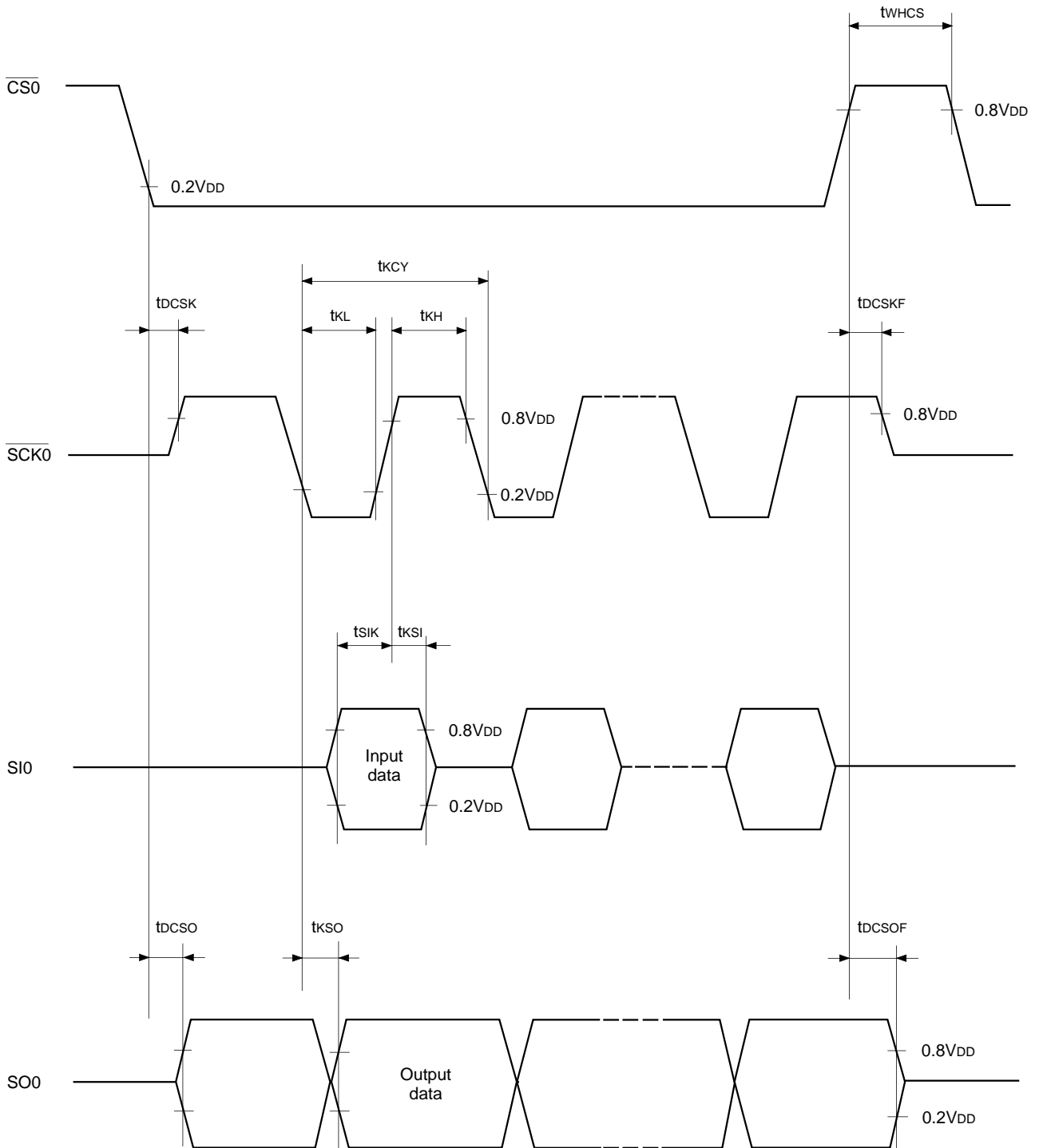
**Note 1)** t<sub>sys</sub> indicates three values according to the contents of the clock control register (address; 00FEH) upper 2 bits (CPU clock selection).

t<sub>sys</sub> [ns] = 2000/fc (Upper 2 bits = "00"), 4000/fc (Upper 2 bits = "01"), 16000/fc (Upper 2 bits = "11")

**Note 2)**  $\overline{CS}$ ,  $\overline{SCK}$ , SI and SO means each pin of  $\overline{CS} \rightarrow \overline{CS0}$ ,  $\overline{SCK} \rightarrow \overline{SCK0}$ , SI  $\rightarrow$  SI0, and SO  $\rightarrow$  SO0 respectively.

**Note 3)** The load of  $\overline{SCK}$  output mode and SO output delay time is 50pF.

Fig. 4. Serial transfer timing (CH0)



**Serial transfer (CH1)**

(Ta = -10 to +75°C, VDD = 4.5 to 5.5V, VSS = 0V)

Item	Symbol	Pin	Condition	Min.	Max.	Unit
$\overline{\text{SCK1}}$ cycle time	$t_{\text{KCY}}$	$\overline{\text{SCK1}}$	Input mode	$2t_{\text{sys}} + 200$		ns
			Output mode	$8000/f_c$		ns
SCK1 high and low level widths	$t_{\text{KH}}$ $t_{\text{KL}}$	$\overline{\text{SCK1}}$	Input mode	$t_{\text{sys}} + 100$		ns
			Output mode	$4000/f_c - 100$		ns
SI1 input setup time (against $\overline{\text{SCK1}} \uparrow$ )	$t_{\text{SIK}}$	SI1	$\overline{\text{SCK1}}$ input mode	100		ns
			$\overline{\text{SCK1}}$ output mode	200		ns
SI1 input hold time (against $\overline{\text{SCK1}} \uparrow$ )	$t_{\text{KSI}}$	SI1	$\overline{\text{SCK1}}$ input mode	$t_{\text{sys}} + 200$		ns
			$\overline{\text{SCK1}}$ output mode	100		ns
SCK1 $\downarrow \rightarrow$ SO1 delay time	$t_{\text{KSO}}$	SO1	$\overline{\text{SCK1}}$ input mode		$t_{\text{sys}} + 200$	ns
			$\overline{\text{SCK1}}$ output mode		100	ns

**Note 1)**  $t_{\text{sys}}$  indicates three values according to the contents of the clock control register (address; 00FEH) upper 2 bits (CPU clock selection).

$t_{\text{sys}}$  [ns] = 2000/ $f_c$  (Upper 2 bits = "00"), 4000/ $f_c$  (Upper 2 bits = "01"), 16000/ $f_c$  (Upper 2 bits = "11")

**Note 2)** The load of  $\overline{\text{SCK1}}$  output mode and SO1 output delay time is 50pF + 1TTL.

**Serial transfer (CH1)**

(Ta = -10 to +75°C, VDD = 3.0 to 3.6V, VSS = 0V)

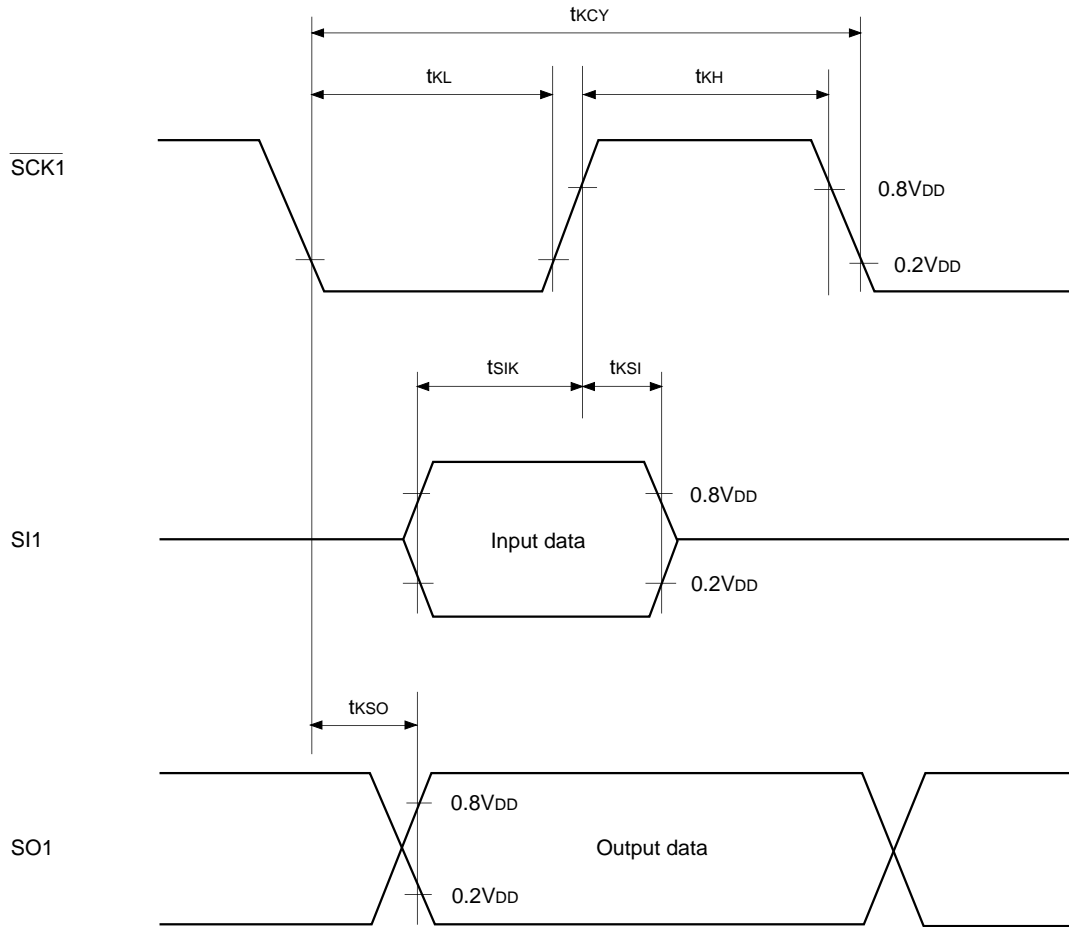
Item	Symbol	Pin	Condition	Min.	Max.	Unit
$\overline{\text{SCK1}}$ cycle time	$t_{\text{KCY}}$	$\overline{\text{SCK1}}$	Input mode	$2t_{\text{sys}}+200$		ns
			Output mode	$8000/f_c$		ns
SCK1 high and low level widths	$t_{\text{KH}}$ $t_{\text{KL}}$	$\overline{\text{SCK1}}$	Input mode	$t_{\text{sys}}+100$		ns
			Output mode	$4000/f_c-150$		ns
SI1 input setup time (against $\overline{\text{SCK1}} \uparrow$ )	$t_{\text{SIK}}$	SI1	$\overline{\text{SCK1}}$ input mode	100		ns
			$\overline{\text{SCK1}}$ output mode	200		ns
SI1 input hold time (against $\overline{\text{SCK1}} \uparrow$ )	$t_{\text{KSI}}$	SI1	$\overline{\text{SCK1}}$ input mode	$t_{\text{sys}}+200$		ns
			$\overline{\text{SCK1}}$ output mode	100		ns
SCK1 $\downarrow \rightarrow$ SO1 delay time	$t_{\text{KSO}}$	SO1	$\overline{\text{SCK1}}$ input mode		$t_{\text{sys}}+250$	ns
			$\overline{\text{SCK1}}$ output mode		125	ns

**Note 1)**  $t_{\text{sys}}$  indicates three values according to the contents of the clock control register (address; 00FEH) upper 2 bits (CPU clock selection).

$t_{\text{sys}}$  [ns] = 2000/ $f_c$  (Upper 2 bits = "00"), 4000/ $f_c$  (Upper 2 bits = "01"), 16000/ $f_c$  (Upper 2 bits = "11")

**Note 2)** The load of  $\overline{\text{SCK1}}$  output mode and SO1 output delay time is 50pF.

Fig. 5. Serial transfer CH1 timing

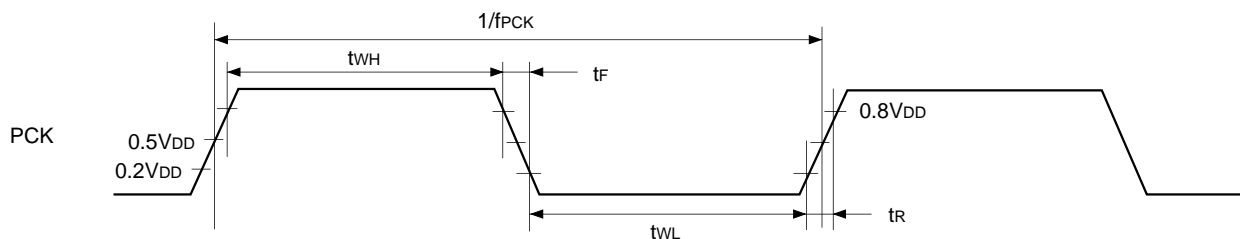


(3) General purpose prescaler

( $T_a = -10$  to  $+75^\circ\text{C}$ ,  $V_{DD} = 4.5$  to  $5.5\text{V}$ ,  $V_{SS} = 0\text{V}$ )

Item	Symbol	Pin	Condition	Min.	Typ.	Max.	Unit
External clock input frequency	$f_{PCK}$	PCK				12	MHz
External clock input pulse width	$t_{WH}, t_{WL}$	PCK		33			ns
External clock input rise and fall times	$t_R, t_F$	PCK				200	ns

Fig. 6. General purpose prescaler timing



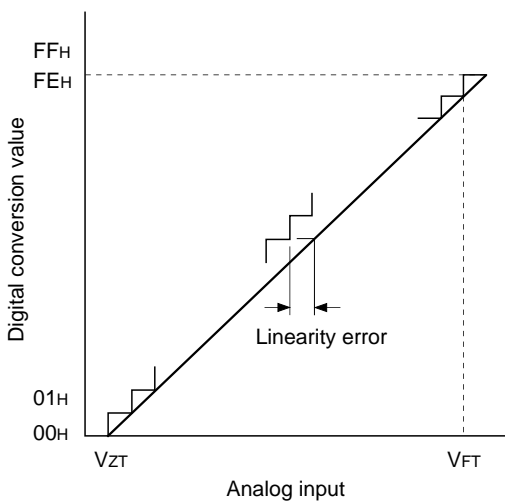
**(4) A/D converter characteristics** ( $T_a = -10$  to  $+75^\circ\text{C}$ ,  $V_{DD} = AV_{DD} = 4.5$  to  $5.5\text{V}$ ,  $AV_{REF} = 4.0$  to  $AV_{DD}$ ,  $V_{SS} = AV_{SS} = 0\text{V}$ )

Item	Symbol	Pins	Conditions	Min.	Typ.	Max.	Unit
Resolution						8	Bits
Linearity error			$T_a = 25^\circ\text{C}$ $V_{DD} = AV_{DD} = AV_{REF} = 5.0\text{V}$ $V_{SS} = AV_{SS} = 0\text{V}$			$\pm 1$	LSB
Absolute error						$\pm 2$	LSB
Conversion time	$t_{CONV}$			$160/f_{ADC}^*$			$\mu\text{s}$
Sampling time	$t_{SAMP}$			$12/f_{ADC}^*$			$\mu\text{s}$
Reference input voltage	$V_{REF}$	$AV_{REF}$	$V_{DD} = AV_{DD} = 4.5$ to $5.5\text{V}$	$AV_{DD} - 0.5$		$AV_{DD}$	V
Analog input voltage	$V_{IAN}$	$AN0$ to $AN11$		0			V
$AV_{REF}$ current	$I_{REF}$	$AV_{REF}$	Operating mode		0.6	1.0	mA
	$I_{REFS}$		SLEEP mode STOP mode 32kHz operating mode			10	$\mu\text{A}$

( $T_a = -10$  to  $+75^\circ\text{C}$ ,  $V_{DD} = AV_{DD} = 3.0$  to  $3.6\text{V}$ ,  $AV_{REF} = 2.7$  to  $AV_{DD}$ ,  $V_{SS} = AV_{SS} = 0\text{V}$ )

Item	Symbol	Pins	Conditions	Min.	Typ.	Max.	Unit
Resolution						8	Bits
Linearity error			$T_a = 25^\circ\text{C}$ $V_{DD} = AV_{DD} = AV_{REF} = 3.3\text{V}$ $V_{SS} = AV_{SS} = 0\text{V}$			$\pm 1$	LSB
Absolute error						$\pm 2$	LSB
Conversion time	$t_{CONV}$			$160/f_{ADC}^*$			$\mu\text{s}$
Sampling time	$t_{SAMP}$			$12/f_{ADC}^*$			$\mu\text{s}$
Reference input voltage	$V_{REF}$	$AV_{REF}$	$V_{DD} = AV_{DD} = 3.0$ to $3.6\text{V}$	$AV_{DD} - 0.3$		$AV_{DD}$	V
Analog input voltage	$V_{IAN}$	$AN0$ to $AN11$		0			
$AV_{REF}$ current	$I_{REF}$	$AV_{REF}$	Operating mode		0.4	0.7	mA
	$I_{REFS}$		SLEEP mode STOP mode 32kHz operating mode			10	$\mu\text{A}$

**Fig. 7. Definitions of A/D converter terms**



\* The value of  $f_{ADC}$  is as follows by selecting ADC operation clock (MSC: Address 01FFH bit 0).  
 When PS2 is selected,  $f_{ADC} = f_c/2$   
 When PS1 is selected,  $f_{ADC} = f_c$

(5) Interruption, reset input

( $T_a = -10$  to  $+75^\circ\text{C}$ ,  $V_{DD} = 3.0$  to  $5.5\text{V}$ ,  $V_{SS} = 0\text{V}$ )

Item	Symbol	Pins	Conditions	Min.	Max.	Unit
External interruption high and low level widths	$t_{IH}$ $t_{IL}$	$\overline{\text{INT0}}$ $\overline{\text{INT1}}$ $\overline{\text{INT2}}$ $\overline{\text{NMI}}$ PJ0 to PJ7		1		$\mu\text{s}$
Reset input low level width	$t_{RSL}$	$\overline{\text{RST}}$		$32/f_c$		$\mu\text{s}$

Fig. 8. Interruption input timing

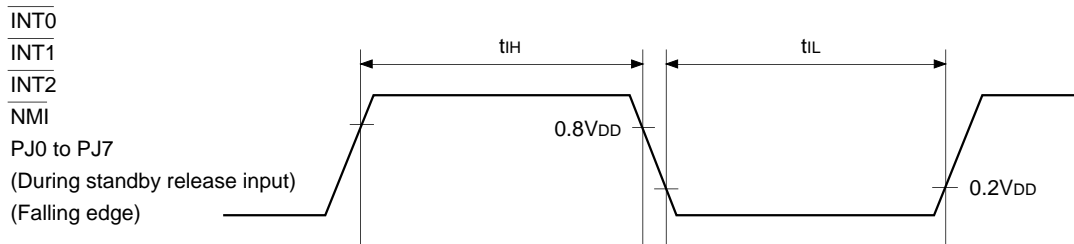
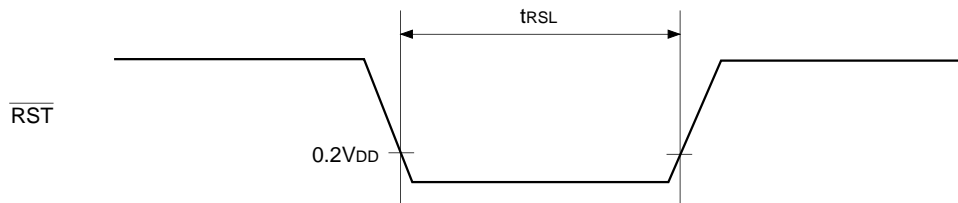


Fig. 9. Reset input timing



(6) Others

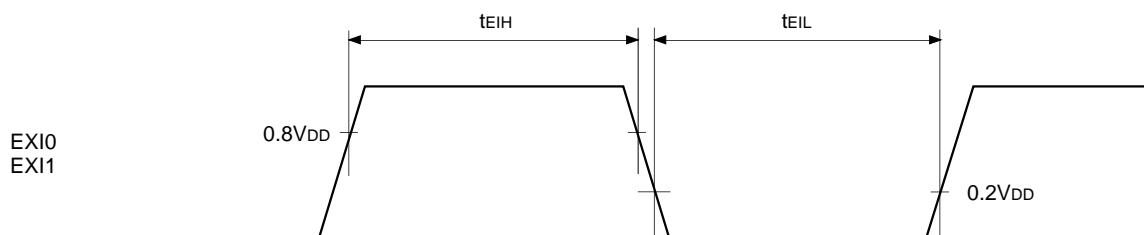
( $T_a = -10$  to  $+75^\circ\text{C}$ ,  $V_{DD} = 3.0$  to  $5.5\text{V}$ ,  $V_{SS} = 0\text{V}$ )

Item	Symbol	Pins	Conditions	Min.	Max.	Unit
EXI input high and low level widths	$t_{EIH}$ $t_{EIL}$	EXI0 EXI1	$t_{\text{sys}} = 2000/f_c$	$t_{\text{FRC}} \times 8 + 200 + t_{\text{sys}}$		ns

**Note**  $t_{\text{sys}}$  indicates three values according to the contents of the clock control register (address; 00FEH) upper 2 bits (CPU clock selection).

$t_{\text{sys}}$  [ns] = 2000/ $f_c$  (Upper 2 bits = "00"), 4000/ $f_c$  (Upper 2 bits = "01"), 16000/ $f_c$  (Upper 2 bits = "11")  
 $t_{\text{FRC}} = 1000/f_c$  [ns]

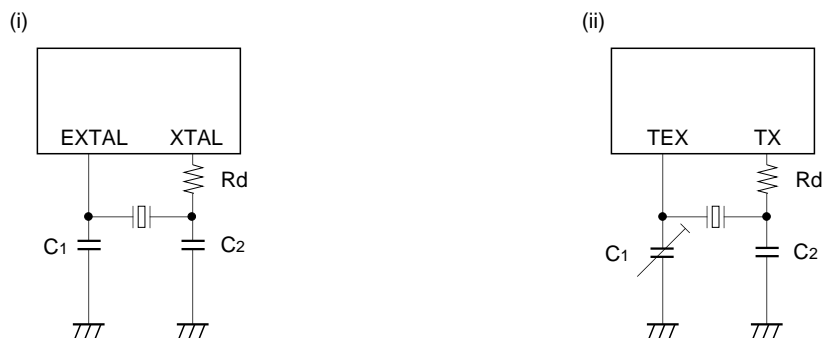
Fig. 10. Other timings





Supplement

Fig. 11. Recommended oscillation circuit

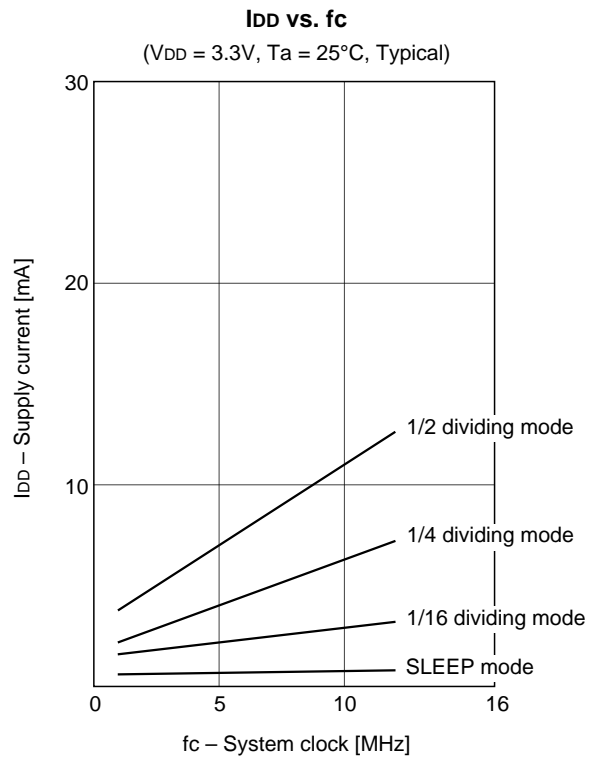
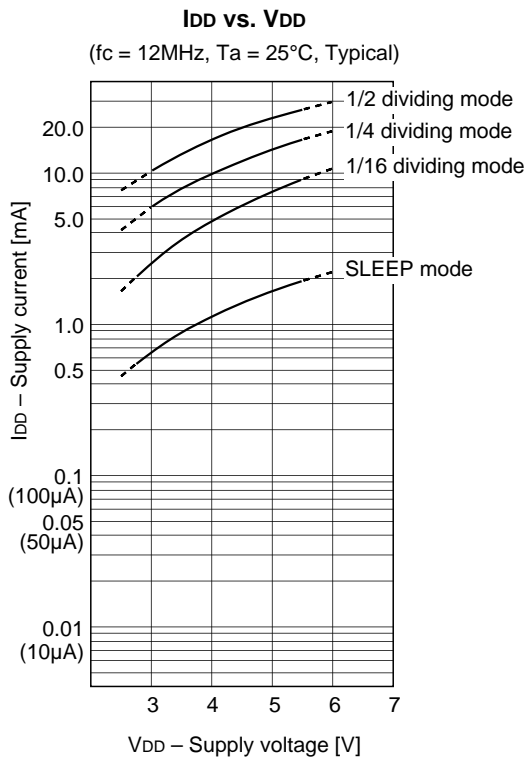
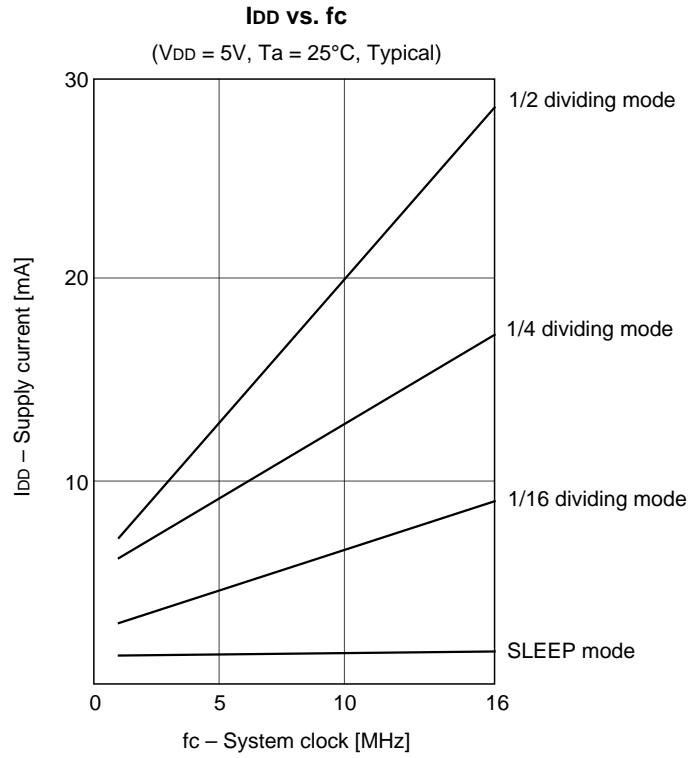
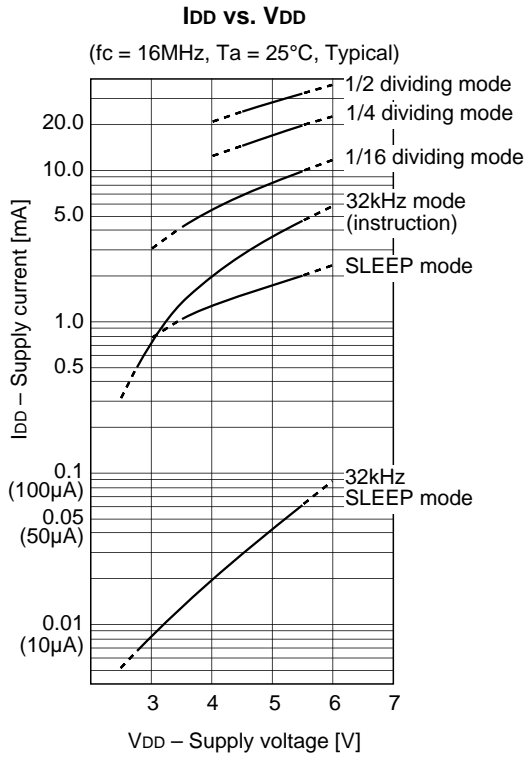


Manufacturer	Model	fc (MHz)	C1 (pF)	C2 (pF)	Rd ( $\Omega$ )	Circuit example
RIVER ELETEC CO., LTD.	HC-49/U03	8.00	10	10	0	(i)
		10.00	5	5		
		12.00				
		16.00				
KINSEKI LTD.	HC-49/U (-S)	8.00	16 (12)	16 (12)	0	(i)
		10.00	16 (12)	16 (12)		
		12.00	12	12		
		16.00	12	12	0	
	P3	32.768kHz	30	18	470K	(ii)

Selection Guide

Option item	Mask product	CXP819P60Q-3 - □□□	CXP819P60R-3 - □□□	CXP819P60Q-4 - □□□	CXP819P60R-4 - □□□
Package	100-pin plastic QFP/LQFP	100-pin plastic QFP	100-pin plastic LQFP	100-pin plastic QFP	100-pin plastic LQFP
ROM capacitance	52K byte /60K byte	PROM 60K byte	PROM 60K byte	PROM 60K byte	PROM 60K byte
Reset pin pull-up resistor	Existent /Non-Existent	Existent	Existent	Existent	Existent

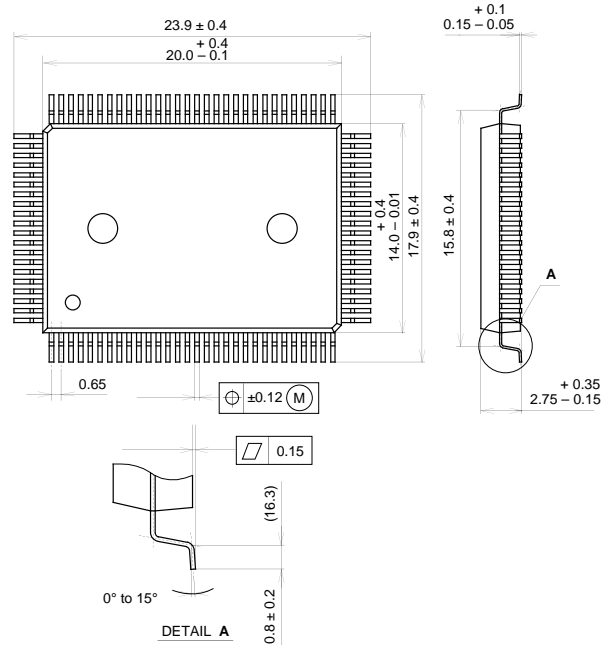
Characteristics Curve



Package Outline

Unit: mm

100PIN QFP (PLASTIC)

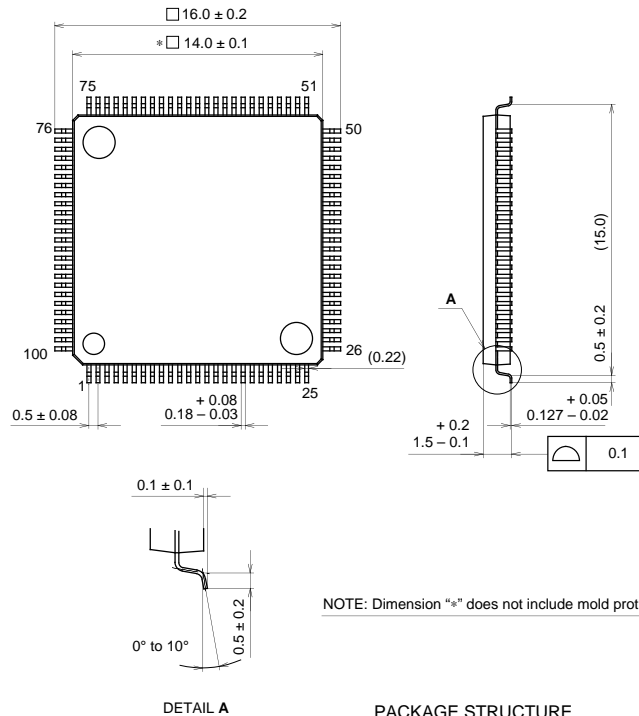


PACKAGE STRUCTURE

SONY CODE	QFP-100P-L01
EIAJ CODE	*QFP100-P-1420-A
JEDEC CODE	_____

PACKAGE MATERIAL	EPOXY RESIN
LEAD TREATMENT	SOLDER PLATING
LEAD MATERIAL	COPPER / 42 ALLOY
PACKAGE WEIGHT	1.4g

100PIN LQFP (PLASTIC)



PACKAGE STRUCTURE

SONY CODE	LQFP-100P-L01
EIAJ CODE	*QFP100-P-1414-A
JEDEC CODE	_____

PACKAGE MATERIAL	EPOXY/PHENOL RESIN
LEAD TREATMENT	SOLDER PLATING
LEAD MATERIAL	42 ALLOY
PACKAGE WEIGHT	_____