

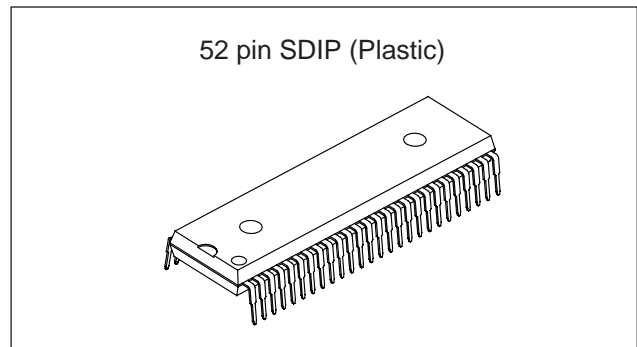
CMOS 8-bit Single Chip Microcomputer

Description

The CXP864P61 is the CMOS 8-bit single chip microcomputer integrating on a single chip an A/D converter, serial interface, timer/counter, time-base timer, on-screen display function, I²C bus interface, PWM output, remote control reception circuit, HSYNC counter, watchdog timer, 32kHz timer/counter besides the basic configurations of 8-bit CPU, PROM, RAM, I/O ports.

The CXP864P61 also provides a sleep function that enables to lower the power consumption.

The CXP864P61 is the PROM-incorporated version of the CXP86461 with built-in mask ROM. This provides the additional feature of being able to write directly into the program. Thus, it is most suitable for evaluation use during system development and for small-quantity production.



Structure

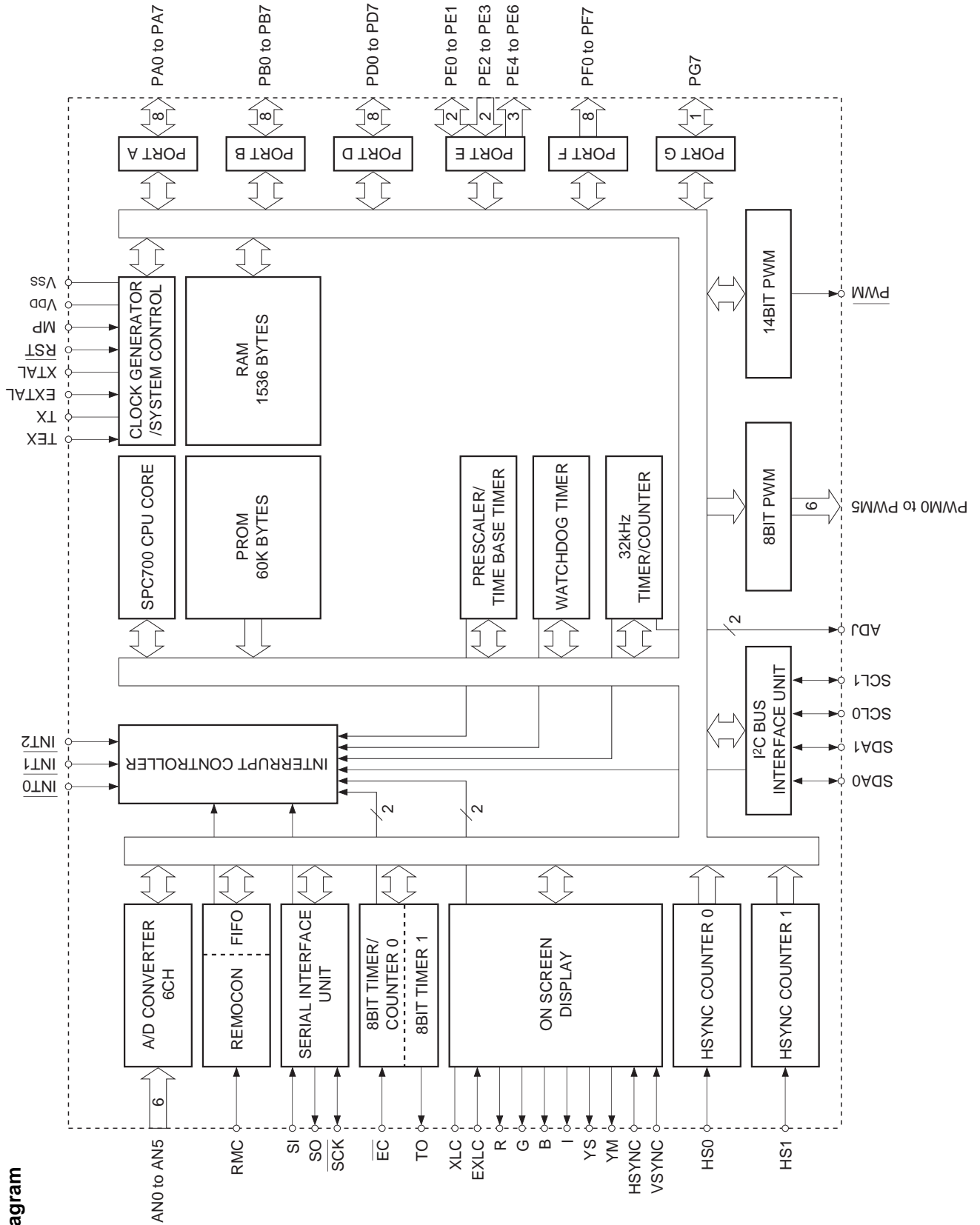
Silicon gate CMOS IC

Features

- A wide instruction set (213 instructions) which covers various types of data
 - 16-bit operation/multiplication and division/Boolean bit operation instructions
- Minimum instruction cycle
 - 250ns at 16MHz operation (4.5 to 5.5V)
 - 122µs at 32kHz operation (2.7 to 5.5V)
- Incorporated PROM 60K bytes
- Incorporated RAM 1536 bytes (Excludes VRAM for on-screen display and sprite RAM)
- Peripheral functions
 - A/D converter 8 bits, 6 channels, successive approximation method (Conversion time of 3.25µs at 16 MHz)
 - Serial interface 8-bit clock sync type, 1 channel
 - Timer 8-bit timer
8-bit timer/counter
19-bit time-base timer
32kHz timer/counter
 - On-screen display (OSD) function 12 × 16 dots, 52 character types
15 character colors, 2 lines × 24 characters,
frame background 8 colors/ half blanking,
background on full screen 15 colors/ half blanking
edging/ shadowing/ rounding for every line,
background with shadow for every character, double scanning,
sprite OSD, 12 × 16 dots, 1 screen, 8 colors for every dot
 - I²C bus interface
 - PWM output 8 bits, 8 channels
14 bits, 1 channel
 - Remote control reception circuit 8-bit pulse measurement counter, 6-stage FIFO
 - HSYNC counter 2 channels
 - Watchdog timer
- Interruption 13 factors, 13 vectors, multi-interruption possible
- Standby mode Sleep
- Package 52-pin plastic SDIP

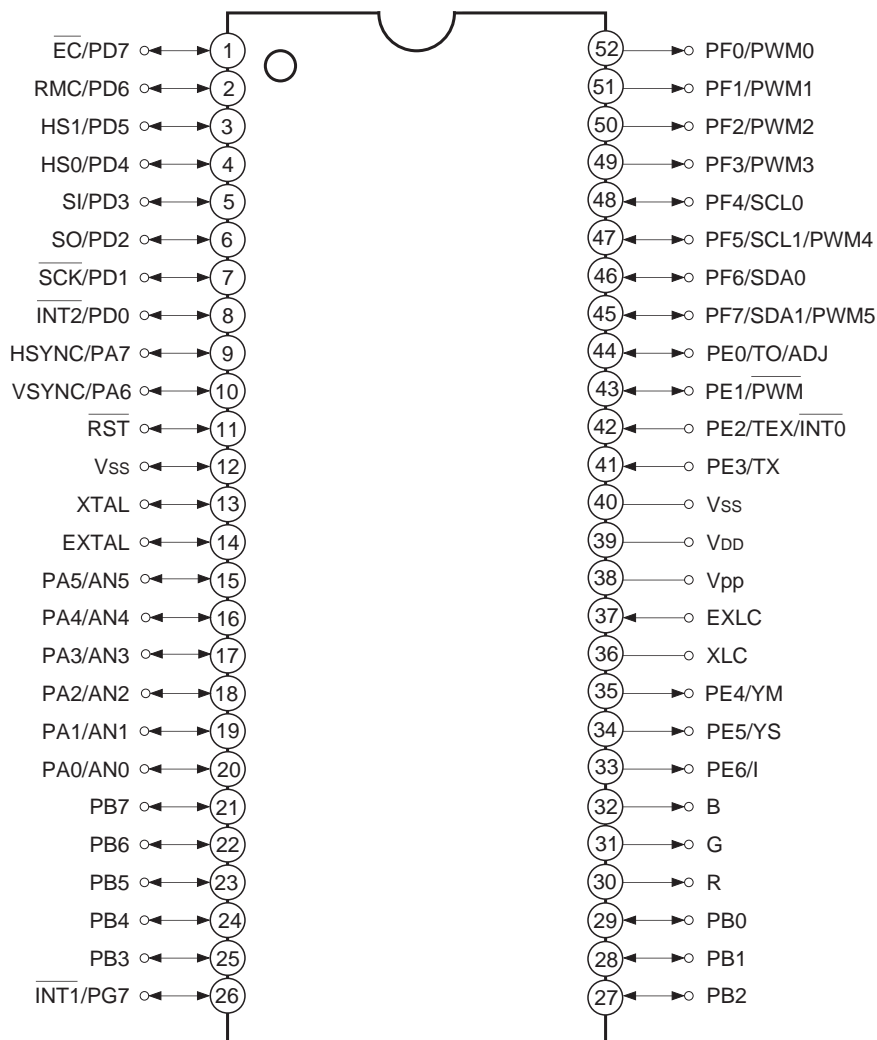
Purchase of Sony's I²C components conveys a licence under the Philips I²C Patent Rights to use these components in an I²C system, provided that the system conforms to the I²C Standard Specifications as defined by Philips.

Sony reserves the right to change products and specifications without prior notice. This information does not convey any license by any implication or otherwise under any patents or other right. Application circuits shown, if any, are typical examples illustrating the operation of the devices. Sony cannot assume responsibility for any problems arising out of the use of these circuits.



Block Diagram

Pin Assignment (Top View)



Note)

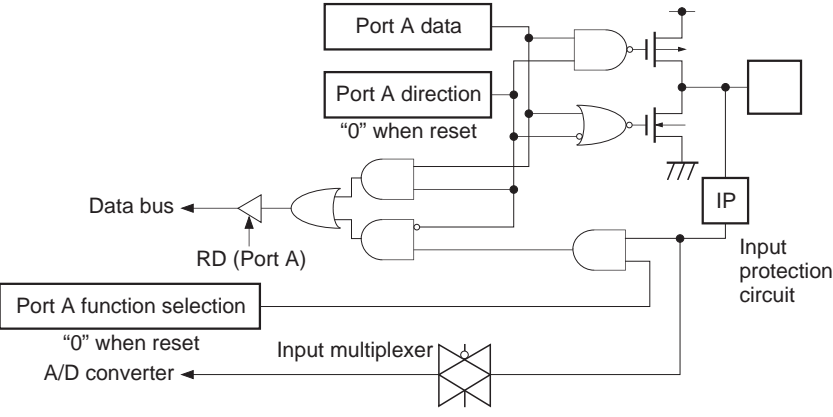
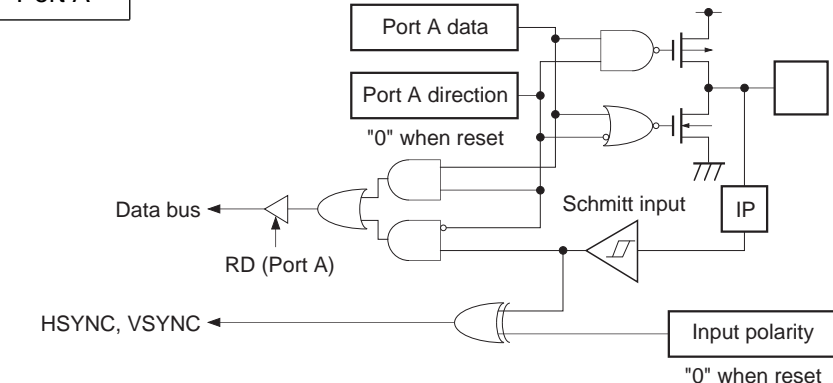
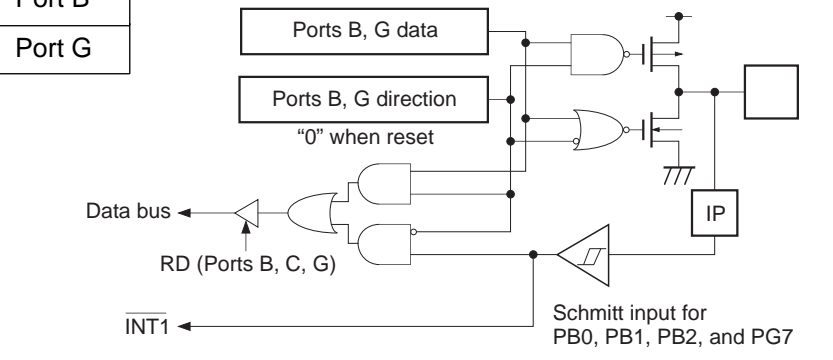
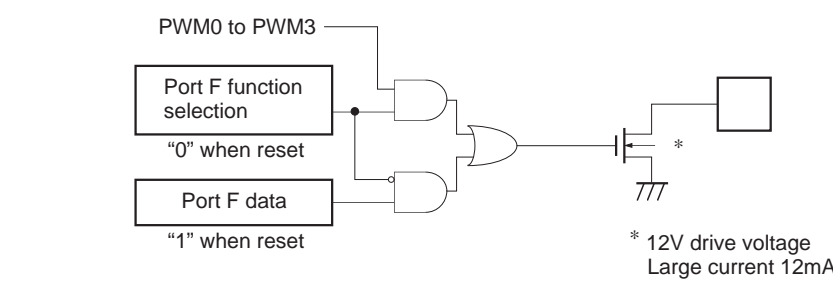
1. Vpp (Pin 38) is left open.
2. Vss (Pins 12 and 40) are both connected to GND.

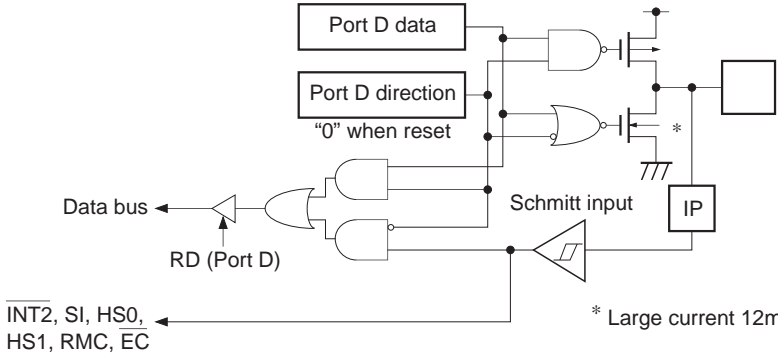
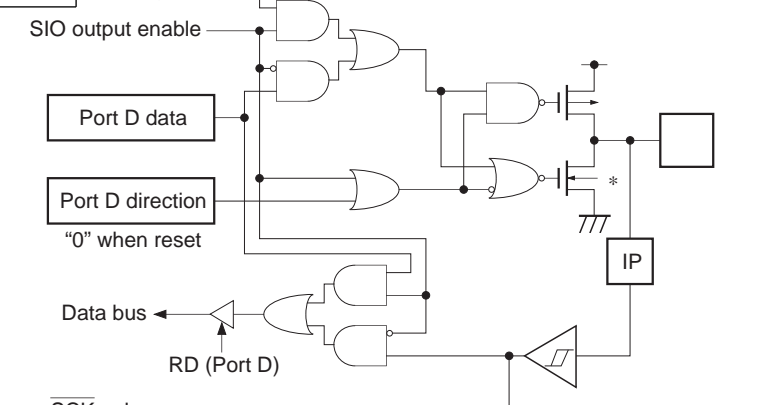
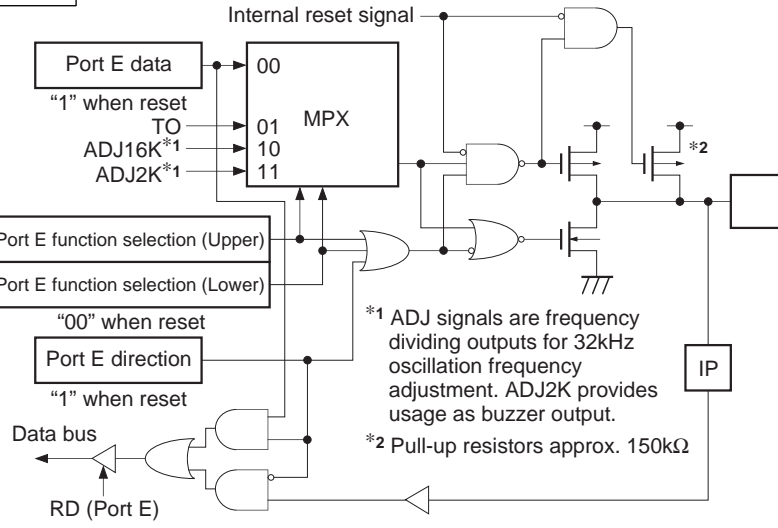
Pin Description

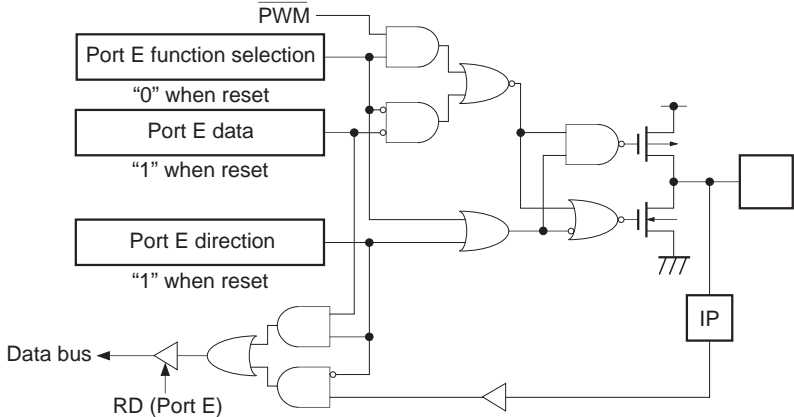
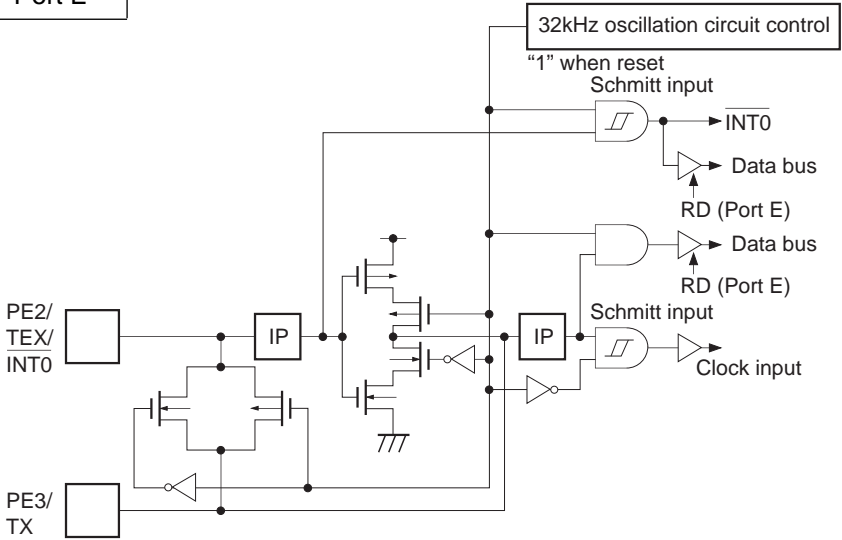
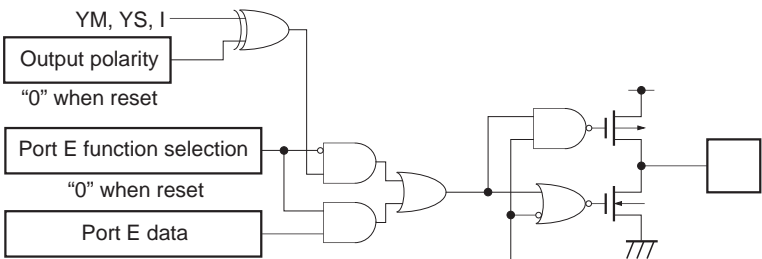
Symbol	I/O	Description	
PA0/AN0 to PA5/AN5	I/O/ Analog input	(Port A) 8-bit I/O port. I/O can be set in a unit of single bits. (8 pins)	Analog inputs to A/D converter. (6 pins)
PA6/VSYNC	I/O/Input		OSD display vertical sync signal input.
PA7/HSYNC	I/O/Input		OSD display horizontal sync signal input.
PB0 to PB7	I/O	(Port B) 8-bit I/O port. I/O can be set in a unit of single bits. (8 pins)	
PD0/ $\overline{\text{INT2}}$	I/O/Input	(Port D) 8-bit I/O port. I/O can be set in a unit of single bits. Can drive 12mA synk current. (8 pins)	External interruption request input. Active at the falling edge.
PD1/ $\overline{\text{SCK}}$	I/O/I/O		Serial clock I/O.
PD2/SO	I/O/Output		Serial data output.
PD3/SI	I/O/Input		Serial data input.
PD4/HS0	I/O/Input		HSYNC counter (CH0) input.
PD5/HS1	I/O/Input		HSYNC counter (CH1) input.
PD6/RMC	I/O/Input		Remote control reception circuit input.
PD7/ $\overline{\text{EC}}$	I/O/Input		External event input for timer/counter.
PE0/TO/ADJ	I/O/Output/ Output	(Port E) Bits 0 and 1 are I/O port; I/O can be set in a unit of single bit. Bits 2 and 3 are input port. Bits 4, 5 and 6 are output port. (7 pins)	Rectangular wave output for 8-bit timer/counter.
PE1/ $\overline{\text{PWM}}$	I/O/Output		32kHz oscillation frequency dividing output.
PE2/ $\overline{\text{TEX/INT0}}$	Input/Input/ Input		14-bit PWM output.
PE3/TX	Input/Output		Connects a crystal for 32kHz timer/counter clock oscillation. When used as an event counter, input to TEX pin and leave TX pin open.
PE4/YM	Output/Output		OSD display 6-bit output. (6 pins)
PE5/YS	Output/Output		
PE6/I	Output/Output		
B	Output		
G	Output		
R	Output		
PF0/PWM0 to PF3/PWM3	Output/Output	(Port F) 8-bit output port.	8-bit PWM output. (4 pins)
PF4/SCL0	Output/I/O	Open drain output of large current (12mA) and N channel. Lower 4 bits are medium drive voltage (12V); upper 4 bits are 5V drive. (8 pins)	I ² C bus interface transfer clock I/O. (2 pins)
PF5/SCL1/ PWM4	Output/I/O/ Output		8-bit PWM output.
PF6/SDA0	Output/I/O		I ² C bus interface transfer data I/O. (2 pins)
PF7/SDA1/ PWM5	Output/I/O/ Output		8-bit PWM output.

Symbol	I/O	Description	
PG7/ $\overline{\text{INT1}}$	I/O/Input	(Port G) 1-bit I/O port. I/O can be set in a unit of single bits. (1 pin)	External interruption request input. Active at the falling edge.
EXTAL	Input	Connects a crystal for system clock oscillation. When a clock is supplied externally, input to EXTAL pin and input a reversed phase clock to XTAL pin.	
XTAL	Output		
$\overline{\text{RST}}$	Input	System reset; active at Low level.	
EXLC	Input	OSD display clock oscillation I/O. Oscillation frequency is determined by the external L and C.	
XLC	Output		
V _{DD}		Positive power supply.	
V _{SS}		GND. Connect two V _{SS} pins to GND.	
V _{pp}		Positive power supply for incorporated-PROM writing. No connected for normal operation.	

Input/Output Circuit Formats for Pins

Pin	Circuit format	When reset
<p>PA0/AN0 to PA5/AN5</p> <p>6 pins</p>	<p>Port A</p> 	<p>Hi-Z</p>
<p>PA6/VSYNC PA7/HSYNC</p> <p>2 pins</p>	<p>Port A</p> 	<p>Hi-Z</p>
<p>PB0 to PB7 PG7/INT1</p> <p>9 pins</p>	<p>Port B</p> <p>Port G</p> 	<p>Hi-Z</p>
<p>PF0/PWM0 to PF3/PWM3</p> <p>4 pins</p>	<p>Port F</p>  <p>* 12V drive voltage Large current 12mA</p>	<p>Hi-Z</p>

Pin	Circuit format	When reset
<p>PD0/$\overline{\text{INT2}}$ PD3/SI PD4/HS0 PD5/HS1 PD6/RMC PD7/EC</p> <p>6 pins</p>	<p>Port D</p>  <p>* Large current 12mA</p>	<p>Hi-Z</p>
<p>PD1/$\overline{\text{SCK}}$ PD2/SO</p> <p>2 pins</p>	<p>Port D</p>  <p>* Large current 12mA PD2 is not Schmitt input.</p>	<p>Hi-Z</p>
<p>PE0/TO/ADJ</p> <p>1 pin</p>	<p>Port E</p>  <p>*1 ADJ signals are frequency dividing outputs for 32kHz oscillation frequency adjustment. ADJ2K provides usage as buzzer output. *2 Pull-up resistors approx. 150kΩ</p>	<p>High level (with the resistor of pull-up transistor ON when reset)</p>

Pin	Circuit format	When reset
<p>PE1/PWM</p> <p>1 pin</p>	<p>Port E</p> 	<p>High level</p>
<p>PE2/TEX/INT0 PE3/TX</p> <p>2 pins</p>	<p>Port E</p> 	<p>Oscillation halted Port input</p>
<p>PE4/YM PE5/YS PE6/I</p> <p>3 pins</p>	<p>Port E</p>  <p>Writing data to output polarity register and port data register brings output to active.</p>	<p>Hi-Z</p>

Pin	Circuit format	When reset
PF4/SCL0 PF5/SCL1/PWM4 PF6/SDA0 PF7/SDA1/PWM5 4 pins	<p>* Large current 12mA</p> <p>To internal I2C pins (SCL1 for SCL0)</p>	Hi-Z
R G B 3 pins	<p>Writing data to output polarity register brings output to active.</p>	Hi-Z
EXLC XLC 2 pins		Oscillation halted
EXTAL XTAL 2 pins	<ul style="list-style-type: none"> • Diagram shows the circuit composition during oscillation. • Feedback resistor is removed during stop mode. (This device does not enter the stop mode.) 	Oscillation
$\overline{\text{RST}}$ 1 pin		Low level

Absolute Maximum Ratings

(V_{SS} = 0V reference)

Item	Symbol	Ratings	Unit	Remarks
Supply voltage	V _{DD}	-0.3 to +7.0	V	
	V _{pp}	-0.3 to +13.0	V	Incorporated PROM
Input voltage	V _{IN}	-0.3 to +7.0*1	V	
Output voltage	V _{OUT}	-0.3 to +7.0*1	V	
Medium drive output voltage	V _{OUTP}	-0.3 to +15.0	V	
High level output current	I _{OH}	-5	mA	
High level total output current	∑I _{OH}	-50	mA	Total of all output pins
Low level output current	I _{OL}	15	mA	Ports excluding large current output (value per pin)
	I _{OLC}	20	mA	Large current output ports (value per pin*2)
Low level total output current	∑I _{OL}	130	mA	Total of all output pins
Operating temperature	T _{opr}	-10 to +75	°C	
Storage temperature	T _{stg}	-55 to +150	°C	
Allowable power dissipation	P _D	400	mW	SDIP-52P-01

*1 V_{IN} and V_{OUT} should not exceed V_{DD} + 0.3 V.

*2 The large current output port is Port D (PD) and Port F (PF).

Note) Usage exceeding absolute maximum ratings may permanently impair the LSI. Normal operation should be conducted under the recommended operating conditions. Exceeding those conditions may adversely affect the reliability of the LSI.

Recommended Operating Conditions

(V_{SS} = 0V reference)

Item	Symbol	Min.	Max.	Unit	Remarks
Supply voltage	V _{DD}	4.5	5.5	V	Guaranteed operation range for 1/2 and 1/4 frequency dividing clock
		3.5	5.5	V	Guaranteed operation range for 1/16 frequency dividing clock or sleep mode
		2.7	5.5	V	Guaranteed operation range by TEX clock
		—	—	V	Guaranteed data hold operation range during stop*5
High level input voltage	V _{IH}	0.7V _{DD}	V _{DD}	V	*1
	V _{IHS}	0.8V _{DD}	V _{DD}	V	*2
	V _{IHEX}	V _{DD} - 0.4	V _{DD} + 0.3	V	EXTAL pin*3, TEX pin*4
Low level input voltage	V _{IL}	0	0.3V _{DD}	V	*1
	V _{ILS}	0	0.2V _{DD}	V	*2
	V _{ILEX}	-0.3	0.4	V	EXTAL pin*3, TEX pin*4
Operating temperature	T _{opr}	-10	+75	°C	

*1 PA1 to 5, PB3 to 7, PD2, PE0, PE1, PE3, SCL0 to 1, SDA0 to 1 pins

*2 VSYNC, HSYNC, INT2, SCK, SI, HS0, HS1, RMC, EC, INT0, INT1, RST, PB0, PB1, PB2 pins

*3 Specifies only during external clock input.

*4 Specifies only during external event count input.

*5 This device does not enter the stop mode.

Electrical Characteristics

DC characteristics

(Ta = -10 to +75°C, Vss = 0V reference)

Item	Symbol	Pins	Conditions	Min.	Typ.	Max.	Unit		
High level output voltage	V _{OH}	PA, PB, PD, PE0 to PE1, PE4 to PE6, PG7, R, G, B	V _{DD} = 4.5V, I _{OH} = -0.5mA	4.0			V		
			V _{DD} = 4.5V, I _{OH} = -1.2mA	3.5			V		
Low level output voltage	V _{OL}	PA, PB, PD, PE0 to PE1, PE4 to PE6, PF0 to PF3, PG7, R, G, B	V _{DD} = 4.5V, I _{OL} = 1.8mA			0.4	V		
			V _{DD} = 4.5V, I _{OL} = 3.6mA			0.6	V		
		PD, PF	V _{DD} = 4.5V, I _{OL} = 12.0mA			1.5	V		
		PF4 to PF7 (SCL0, SCL1, SDA0, SDA1)	V _{DD} = 4.5V, I _{OL} = 3.0mA			0.4	V		
			V _{DD} = 4.5V, I _{OL} = 4.0mA			0.6	V		
Input current	I _{IHE}	EXTAL	V _{DD} = 5.5V, V _{IH} = 5.5V	0.5		40	μA		
	I _{ILE}		V _{DD} = 5.5V, V _{IL} = 0.4V	-0.5		-40	μA		
	I _{IHT}	TEX	V _{DD} = 5.5V, V _{IH} = 5.5V	0.1		10	μA		
	I _{ILT}		V _{DD} = 5.5V, V _{IL} = 0.4V	-0.1		-10	μA		
	I _{ILR}	RST*1	V _{DD} = 5.5V, V _{IL} = 0.4V	-1.5		-400	μA		
I/O leakage current	I _{Iz}	PA, PB, PD, PE, PG7, R, G, B, RST*1	V _{DD} = 5.5V, V _I = 0, 5.5V			±10	μA		
Open drain I/O leakage current (in N-ch Tr off state)	I _{ILOH}	PF0 to PF3	V _{DD} = 5.5V, V _{OH} = 12.0V			50	μA		
		PF4 to PF7	V _{DD} = 5.5V, V _{OH} = 5.5V			10	μA		
I ² C bus switch connection impedance (in output Tr off state)	R _{Bs}	SCL0: SCL1 SDA0: SDA1	V _{DD} = 4.5V V _{SCL0} = V _{SCL1} = 2.25V V _{SDA0} = V _{SDA1} = 2.25V			120	Ω		
Supply current*2	I _{DD1}	V _{DD}	1/2 frequency dividing clock V _{DD} = 5.5V, 16MHz crystal oscillation (C ₁ = C ₂ = 15pF)		25	38	mA		
	I _{DD2}		V _{DD} = 3.3V, 32MHz crystal oscillation (C ₁ = C ₂ = 47pF)		30	90	μA		
	I _{DDS1}		Sleep mode V _{DD} = 5.5V, 16MHz crystal oscillation (C ₁ = C ₂ = 15pF)		1.2	2.1	mA		
			V _{DD} = 3.3V, 32MHz crystal oscillation (C ₁ = C ₂ = 47pF)		15	38	μA		
	I _{DDS2}		I _{DDS3}	Stop mode*3 V _{DD} = 5.5V, termination of 16MHz and 32MHz oscillation		—	—	—	μA

Item	Symbol	Pins	Conditions	Min.	Typ.	Max.	Unit
Input capacitance	C _{IN}	PA, PB, PD, PE0 to PE3, R, G, B, PF, PG7, EXTAL, TEX, EXLC, $\overline{\text{RST}}$	Clock 1MHz 0V for no-measured pins		10	20	pF

*1 For $\overline{\text{RST}}$ pin, specifies the input current when pull-up resistance is selected, and specifies the leakage current when non-resistor is selected.

*2 When all output pins are left open. Specifies only when the OSD oscillation is halted.

*3 This device does not enter the stop mode.

AC Characteristics

(1) Clock timing

(Ta = -10 to +75°C, VDD = 4.5 to 5.5V, VSS = 0V reference)

Item	Symbol	Pins	Conditions	Min.	Typ.	Max	Unit
System clock frequency	fc	XTAL EXTAL	Fig. 1, Fig.2	8		16	MHz
System clock input pulse width	t _{XL} , t _{XH}	EXTAL	Fig. 1, Fig.2 External clock drive	28			ns
System clock input rise and fall times	t _{CR} , t _{CF}	EXTAL	Fig. 1, Fig.2 External clock drive			200	ns
Event count input clock pulse width	t _{EH} , t _{EL}	\overline{EC}	Fig. 3	4tsys*1			ns
Event count input clock rise and fall times	t _{ER} , t _{EF}	\overline{EC}	Fig. 3			20	ms
System clock frequency	fc	TEX TX	VDD = 2.7 to 5.5 V Fig. 2 (32kHz clock applied conditions)		32.768		kHz
Event count input clock input pulse width	t _{TL} , t _{TH}	TEX	Fig. 3	10			μs
Event count input clock rise and fall times	t _{TR} , t _{TF}	TEX	Fig. 3			20	ms

*1 tsys Indicates three values according to the contents of the clock control register (CLC: 00FEh) upper 2 bits (CPU clock selection).

tsys (ns) = 2000/fc (Upper 2 bits = "00"), 4000/fc (Upper 2 bits = "01"), 16000/fc (Upper 2 bits = "11")

Fig. 1. Clock timing

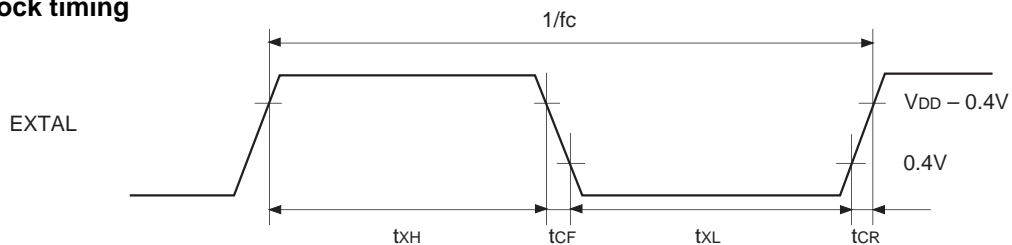


Fig.2. Clock applied conditions

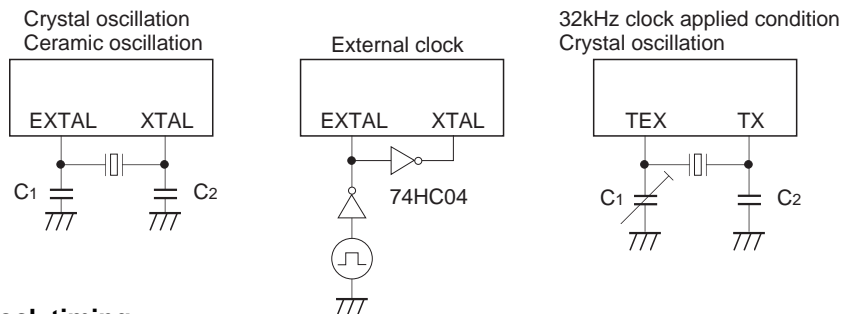
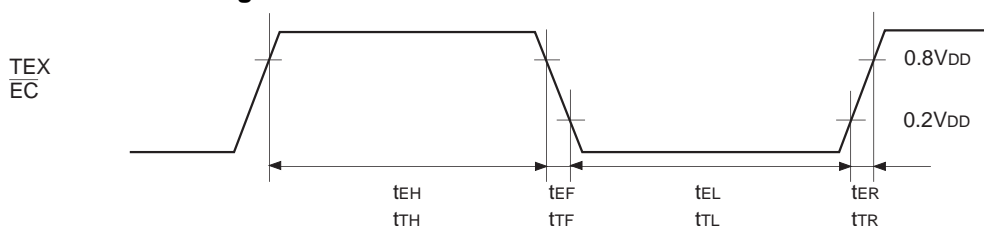


Fig. 3. Event count clock timing



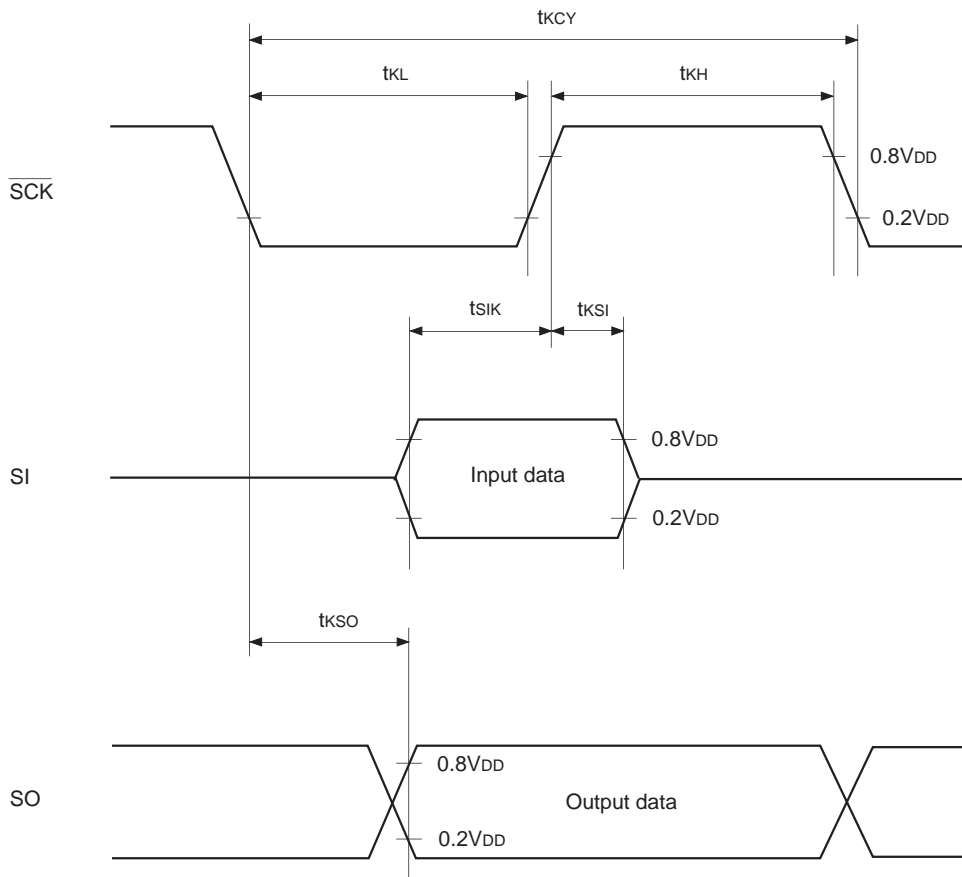
(2) Serial transfer

($T_a = -10$ to $+75^\circ\text{C}$, $V_{DD} = 4.5$ to 5.5V , $V_{SS} = 0\text{V}$ reference)

Item	Symbol	Pins	Conditions	Min.	Max.	Unit
$\overline{\text{SCK}}$ cycle time	t_{KCY}	$\overline{\text{SCK}}$	Input mode	1000		ns
			Output mode	$8000/f_c$		ns
$\overline{\text{SCK}}$ High and Low level width	t_{KH}	$\overline{\text{SCK}}$	$\overline{\text{SCK}}$ input mode	400		ns
	t_{KL}		$\overline{\text{SCK}}$ output mode	$4000/f_c - 50$		ns
SI input setup time (for $\overline{\text{SCK}} \uparrow$)	t_{SIK}	SI	$\overline{\text{SCK}}$ input mode	100		ns
			$\overline{\text{SCK}}$ output mode	200		ns
SI hold time (for $\overline{\text{SCK}} \uparrow$)	t_{KSI}	SI	$\overline{\text{SCK}}$ input mode	200		ns
			$\overline{\text{SCK}}$ output mode	100		ns
$\overline{\text{SCK}} \downarrow \rightarrow \text{SO}$ delay time	t_{KSO}	SO	$\overline{\text{SCK}}$ input mode		200	ns
			$\overline{\text{SCK}}$ output mode		100	ns

Note) The load of $\overline{\text{SCK}}$ output mode and SO output delay time is $50\text{pF} + 1\text{TTL}$.

Fig. 4. Serial transfer timing

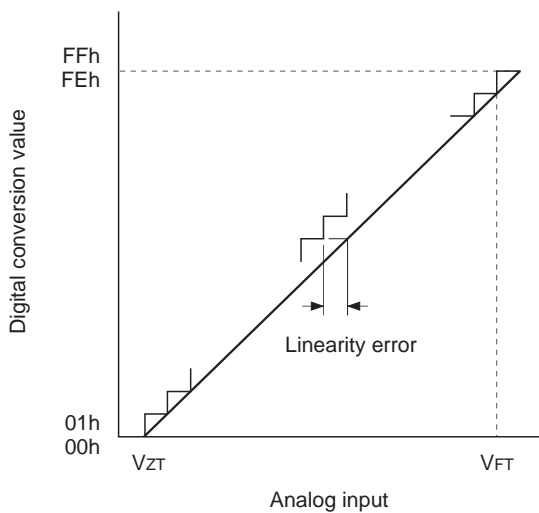


(3) A/D converter

(Ta = -10 to +75°C, VDD = 4.5 to 5.5V, Vss = 0V reference)

Item	Symbol	Pins	Conditions	Min.	Typ.	Max.	Unit
Resolution						8	Bits
Linearity error			Ta = 25°C VDD = 5.0V Vss = 0V			±3	LSB
Zero transition voltage	VZT*1			-10	10	70	mV
Full-scale transition voltage	VFT*2			4910	4970	5030	mV
Conversion time	tCONV			26/fADC*3			µs
Sampling time	tSAMP			6/fADC*3			µs
Analog input voltage	VIAN	AN0 to AN5		0		VDD	V

Fig. 5. Definitions for A/D converter terms



- *1 VZT: Value at which the digital conversion value changes from 00h to 01h and vice versa.
- *2 VFT: Value at which the digital conversion value changes from FEh to FFh and vice versa.
- *3 fADC indicates the below values due to the contents of bit 6 (CKS) of the A/D control register (ADC: 00F6h):

$$f_{ADC} = f_c \text{ (CKS = "0")}, f_c/2 \text{ (CKS = "1")}$$

(4) Interruption, reset input (Ta = -10 to +75°C, VDD = 4.5 to 5.5V, VSS = 0V reference)

Item	Symbol	Pins	Conditions	Min.	Max.	Unit
External interruption High, Low level width	t _{IH} t _{IL}	$\overline{\text{INT0}}$ $\overline{\text{INT1}}$ $\overline{\text{INT2}}$		1		μs
Reset input Low level width	t _{RSL}	$\overline{\text{RST}}$		32/fc		μs

Fig. 6. Interruption input timing

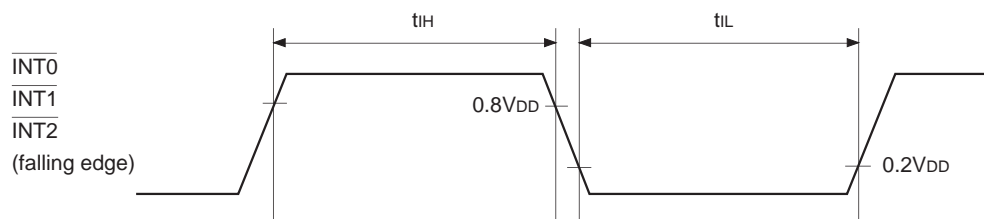
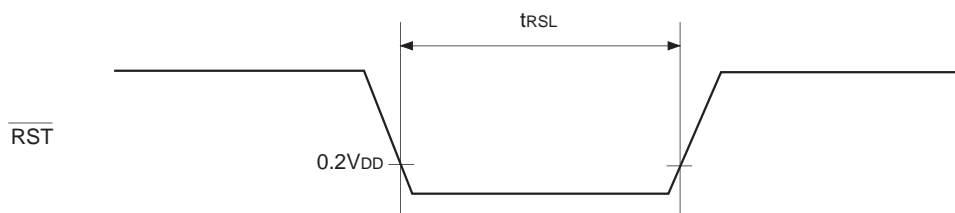


Fig. 7. $\overline{\text{RST}}$ input timing



(5) I²C bus timing

(Ta = -10 to +75°C, V_{DD} = 4.5 to 5.5V, V_{SS} = 0V reference)

Item	Symbol	Pins	Conditions	Min.	Max.	Unit
SCL clock frequency	f _{SCL}	SCL		0	100	kHz
Bus-free time before starting transfer	t _{BUF}	SDA, SCL		4.7		μs
Hold time for starting transfer	t _{HD; STA}	SDA, SCL		4.0		μs
Clock Low level width	t _{LOW}	SCL		4.7		μs
Clock High level width	t _{HIGH}	SCL		4.0		μs
Setup time for repeated transfers	t _{SU; STA}	SDA, SCL		4.7		μs
Data hold time	t _{HD; DAT}	SDA, SCL		0*1		μs
Data setup time	t _{SU; DAT}	SDA, SCL		250		ns
SDA, SCL rise time	t _R	SDA, SCL			1	μs
SDA, SCL fall time	t _F	SDA, SCL			300	ns
Setup time for transfer completion	t _{SU; STO}	SDA, SCL		4.7		μs

*1 The data hold time should be 300ns or more because the SCL rise time (300ns Max.) is not included in it.

Fig. 8. I²C bus transfer timing

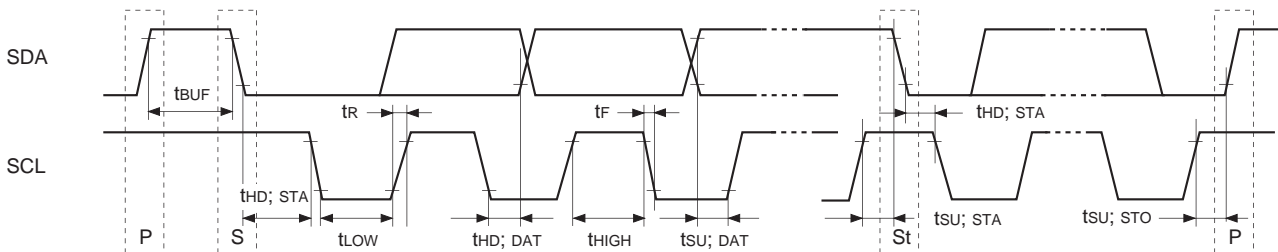
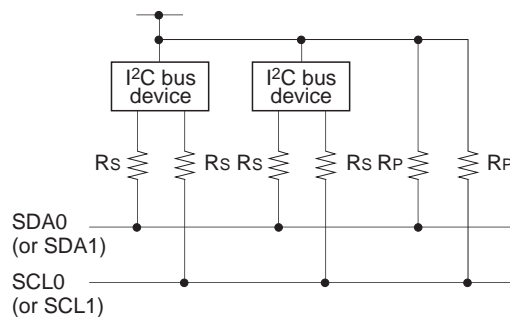


Fig. 9. I²C bus device recommended circuit



- A pull-up resistor (Rp) must be connected to SDA0 (or SDA1) and SCL0 (or SCL1).
- The SDA0 (or SDA1) and SCL0 (or SCL1) series resistance (Rs = 300Ω or less) can be reduce the spike noise caused by CRT flashover.

(6) OSD timing

($T_a = -10$ to $+75^\circ\text{C}$, $V_{DD} = 4.5$ to 5.5V , $V_{SS} = 0\text{V}$ reference)

Item	Symbol	Pins	Conditions	Min.	Max	Unit
OSD clock frequency	fosc	EXLC XLC	Fig. 11	4	30.4*1	MHz
HSYNC pulse width	t _{HWD}	HSYNC	Fig. 10	2		μs
HSYNC after-write rise and fall times	t _{HCG}	HSYNC	Fig. 10		200	ns
VSYNC before-write rise and fall times	t _{VCG}	VSYNC	Fig. 10		1.0	μs

*1 The maximum value of fosc is specified with the following equation.

$$f_{osc} [\text{max}] \leq f_c \times 1.9$$

Fig. 10. OSD timing

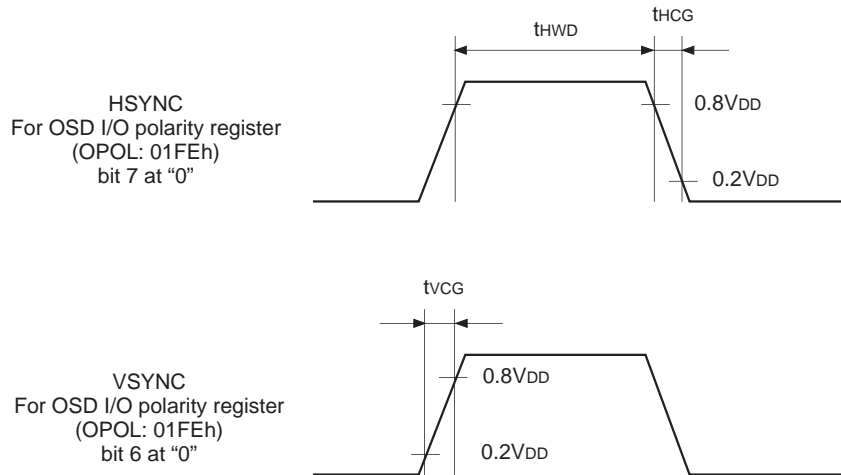
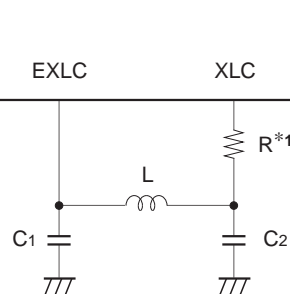


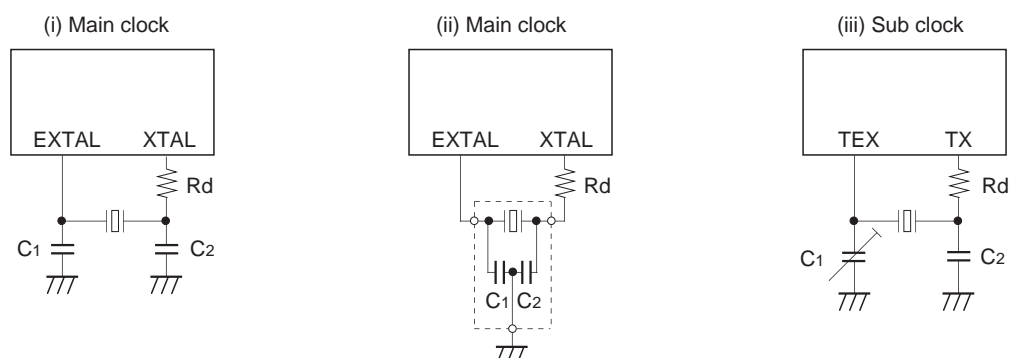
Fig. 11. LC oscillation circuit connection



*1 The series resistor for XLC can reduce the frequency of occurrence of the undesired radiation.

Appendix

Fig. 12. Recommended oscillation circuit

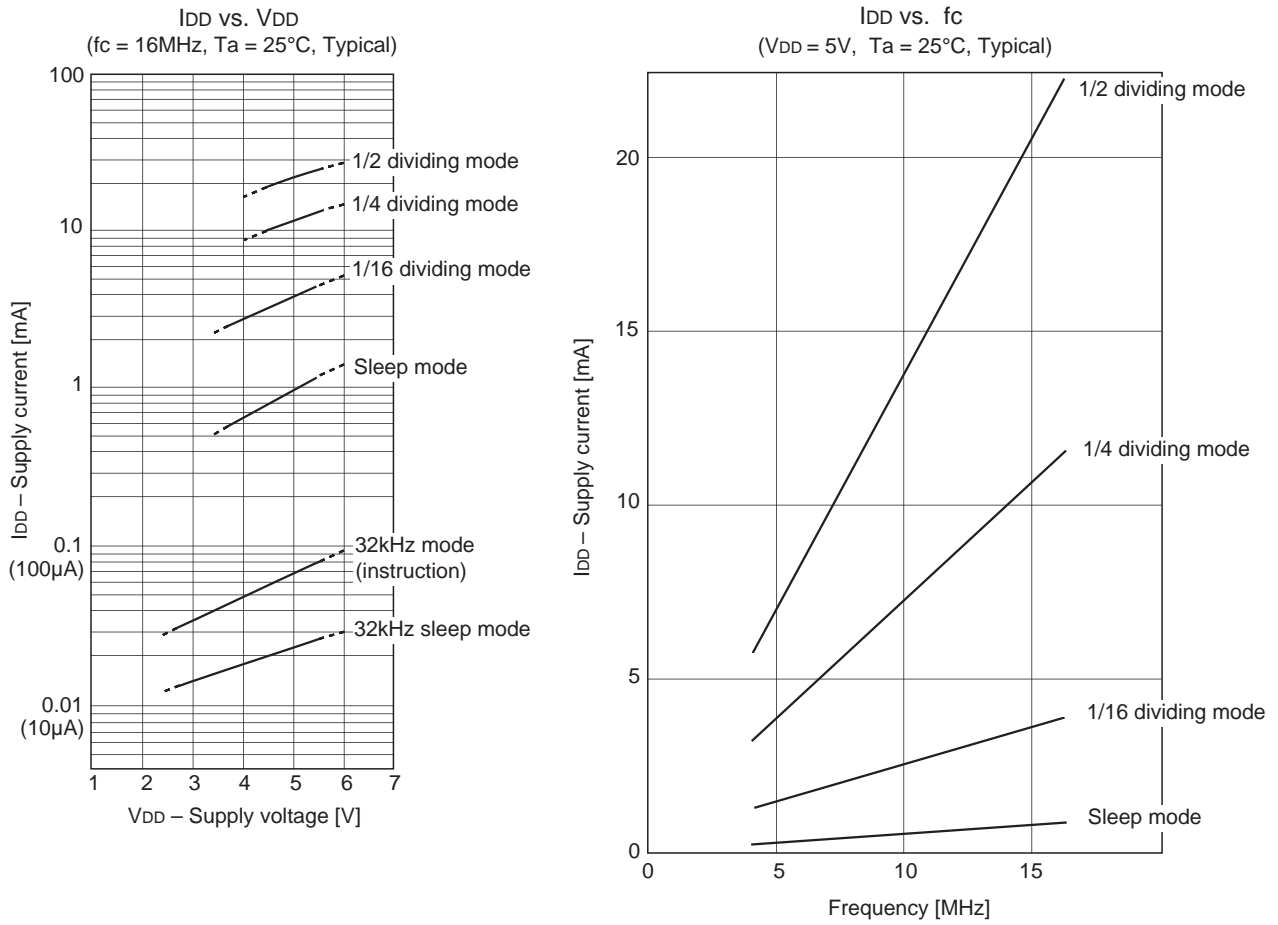


Manufacture	Model	f _c (MHz)	C ₁ (pF)	C ₂ (pF)	R _d (Ω)	Circuit example
MURATA MFG CO., LTD.	CSA10.0MTZ	10.0	30	30	0 *1	(i)
	CSA12.0MTZ	12.0				
	CSA16.00MXZ040	16.0	5	5		(ii)
	CST10.0MTW*	10.0	30	30		
	CST12.0MTW*	12.0	5	5		
	CST16.00MXW0C1*	16.0				
RIVER ELETEC CO., LTD.	HC-49/U03	8.0	18	18	330 *1	(i)
		12.0	12	12		
		16.0	10	10		
KINSEKI LTD.	HC-49/U (-S)	8.0	10	10	0 *1	(i)
		12.0	5	5		
		16.0	OPEN	OPEN		
	P3	32.768kHz	30	33	120k	(iii)

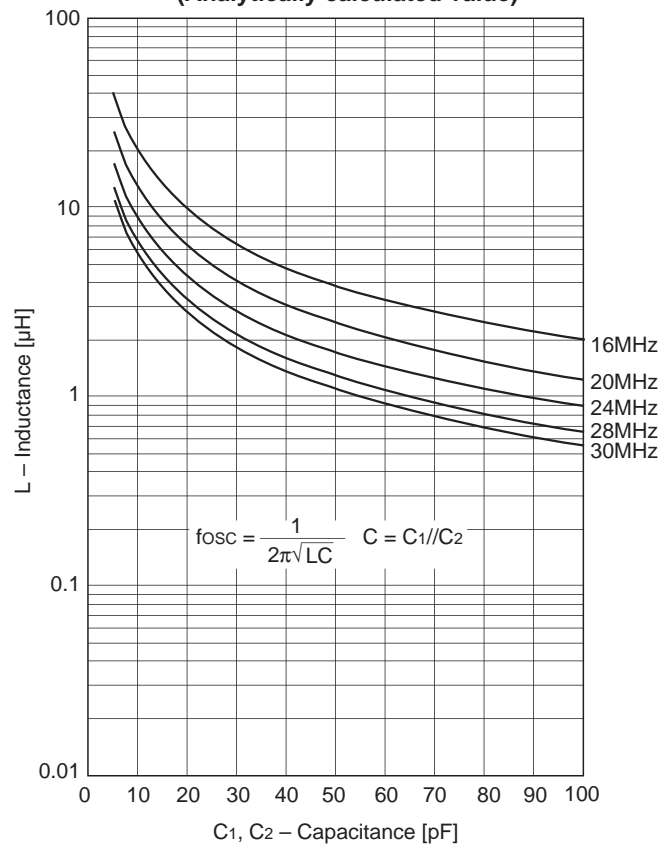
* Models with an asterisk have the built-in ground capacitance (C₁, C₂).

*1 The series resistor for XTAL can reduce the effect of the noise caused by the electrostatic discharge.

Fig. 13. Characteristic curves

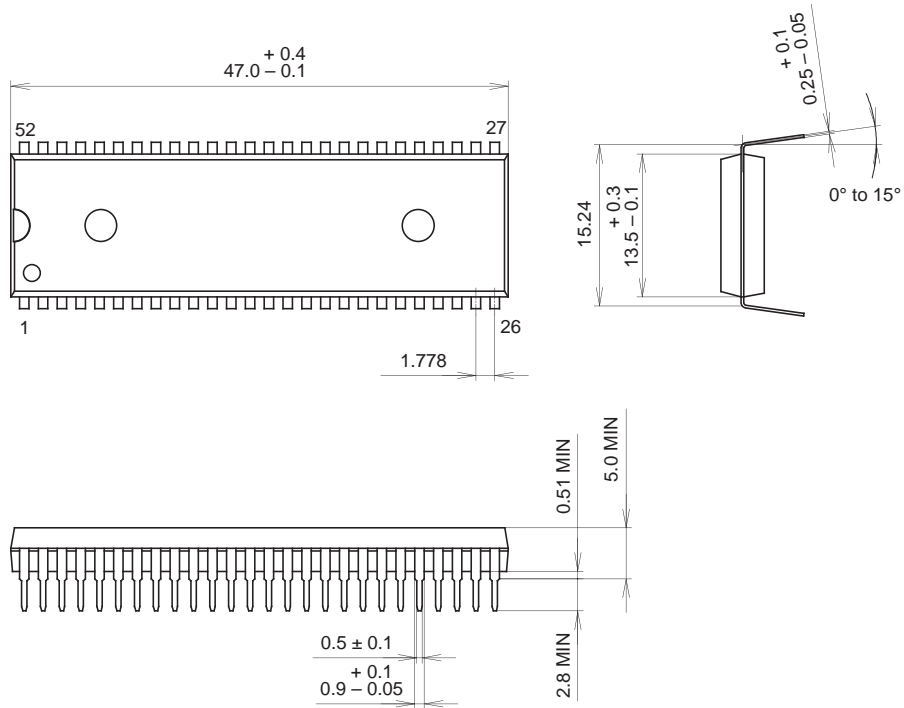


Parameter Curve for OSD Oscillator L vs. C
(Analytically calculated value)



Package Outline Unit: mm

52PIN SDIP (PLASTIC) 600mil



PACKAGE STRUCTURE

SONY CODE	SDIP-52P-01
EIAJ CODE	SDIP052-P-0600-A
JEDEC CODE	_____

PACKAGE MATERIAL	EPOXY RESIN
LEAD TREATMENT	SOLDER PLATING
LEAD MATERIAL	COPPER
PACKAGE WEIGHT	_____

NOTE : PALLADIUM PLATING
 This product uses S-PdPPF (Sony Spec.-Palladium Pre-Plated Lead Frame).