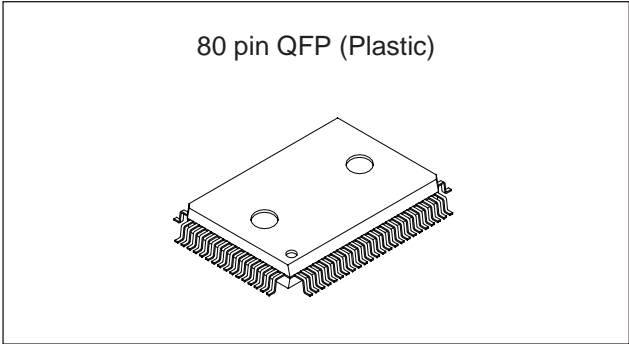


## Constant-Current Driver for Full Color LED Display

**Description**

The CXA2108AQ is a 1,024-gradation LED driver which is ideal for full color LED displays. This IC has 24 outputs and a maximum output current of 70mA. Time division allows driving of either two or six LEDs per output by connecting an external FET or other switch. The luminance (PWM) and drive current for each LED are set using the internal RAM. The LED type is common anode.



**Features**

- 24 outputs: 10-bit (1,024-gradation) PWM current outputs
- Maximum output current: 70mA
- LED type: Common anode
- 4-bit brightness function capable of switching the basic PWM pulse width in 16 steps
- Time division allows driving of up to six LEDs with a single output, making it possible to configure a high definition display with few driver ICs.
- Coarse Adj. (2 bits) and Fine Adj. (8 bits) output current adjustment for each LED makes it possible to drive R, G and B using the same output from the same IC. In addition, the characteristics variance of each LED can also be corrected.
- All luminance (PWM) data and drive current data are set by writing to the internal RAM.
- PWM emitting can be performed up to 15 times per frame to realize a screen with little flicker.
- Two built-in PWM data RAM make it possible to set the next luminance data even during PWM operation.
- Abnormal internal temperature detection circuit
- Single 5V power supply
- Current output with protection diode (diode cathode voltage: VPD can be supplied independently of the 5V power supply.)
- Surface mounting package (80-pin QFP)

**Applications**

LED display panels

**Structure**

Bi-CMOS silicon monolithic IC

**Absolute Maximum Ratings** (Ta = 25°C)

|  |   |            |              |   |     |               |   |      |                    |   |      |              |    |       |                |   |       |           |    |      |            |    |      |             |    |    |     |   |
|--|---|------------|--------------|---|-----|---------------|---|------|--------------------|---|------|--------------|----|-------|----------------|---|-------|-----------|----|------|------------|----|------|-------------|----|----|-----|---|
| <ul style="list-style-type: none"> <li>• Supply voltage</li> <li>• Digital input voltage</li> <li>• Digital output current</li> <li>• Driver output voltage</li> <li>• Driver output current</li> <li>• Operating temperature*1</li> <li>• Storage temperature</li> <li>• Allowable power dissipation*1 (Ta = 65°C or less)</li> </ul> | <table border="0" style="width: 100%; border-collapse: collapse;"> <tr><td style="padding-right: 10px;">AVcc, DVcc</td><td style="padding-right: 10px;">-0.3 to +6.0</td><td style="text-align: right;">V</td></tr> <tr><td style="padding-right: 10px;">VPD</td><td style="padding-right: 10px;">-0.3 to +10.5</td><td style="text-align: right;">V</td></tr> <tr><td style="padding-right: 10px;">Vi_D</td><td style="padding-right: 10px;">-0.3 to DVcc + 0.3</td><td style="text-align: right;">V</td></tr> <tr><td style="padding-right: 10px;">Io_D</td><td style="padding-right: 10px;">-5.0 to +5.0</td><td style="text-align: right;">mA</td></tr> <tr><td style="padding-right: 10px;">V_DVR</td><td style="padding-right: 10px;">0 to VPD + 0.3</td><td style="text-align: right;">V</td></tr> <tr><td style="padding-right: 10px;">I_DVR</td><td style="padding-right: 10px;">-1 to +80</td><td style="text-align: right;">mA</td></tr> <tr><td style="padding-right: 10px;">Topr</td><td style="padding-right: 10px;">-40 to +80</td><td style="text-align: right;">°C</td></tr> <tr><td style="padding-right: 10px;">Tstg</td><td style="padding-right: 10px;">-65 to +150</td><td style="text-align: right;">°C</td></tr> <tr><td style="padding-right: 10px;">PD</td><td style="padding-right: 10px;">1.5</td><td style="text-align: right;">W</td></tr> </table> | AVcc, DVcc | -0.3 to +6.0 | V | VPD | -0.3 to +10.5 | V | Vi_D | -0.3 to DVcc + 0.3 | V | Io_D | -5.0 to +5.0 | mA | V_DVR | 0 to VPD + 0.3 | V | I_DVR | -1 to +80 | mA | Topr | -40 to +80 | °C | Tstg | -65 to +150 | °C | PD | 1.5 | W |
| AVcc, DVcc   | -0.3 to +6.0  | V          |              |   |     |               |   |      |                    |   |      |              |    |       |                |   |       |           |    |      |            |    |      |             |    |    |     |   |
| VPD  | -0.3 to +10.5   | V          |              |   |     |               |   |      |                    |   |      |              |    |       |                |   |       |           |    |      |            |    |      |             |    |    |     |   |
| Vi_D   | -0.3 to DVcc + 0.3  | V          |              |   |     |               |   |      |                    |   |      |              |    |       |                |   |       |           |    |      |            |    |      |             |    |    |     |   |
| Io_D   | -5.0 to +5.0  | mA         |              |   |     |               |   |      |                    |   |      |              |    |       |                |   |       |           |    |      |            |    |      |             |    |    |     |   |
| V_DVR  | 0 to VPD + 0.3  | V          |              |   |     |               |   |      |                    |   |      |              |    |       |                |   |       |           |    |      |            |    |      |             |    |    |     |   |
| I_DVR  | -1 to +80   | mA         |              |   |     |               |   |      |                    |   |      |              |    |       |                |   |       |           |    |      |            |    |      |             |    |    |     |   |
| Topr   | -40 to +80  | °C         |              |   |     |               |   |      |                    |   |      |              |    |       |                |   |       |           |    |      |            |    |      |             |    |    |     |   |
| Tstg   | -65 to +150   | °C         |              |   |     |               |   |      |                    |   |      |              |    |       |                |   |       |           |    |      |            |    |      |             |    |    |     |   |
| PD   | 1.5   | W          |              |   |     |               |   |      |                    |   |      |              |    |       |                |   |       |           |    |      |            |    |      |             |    |    |     |   |

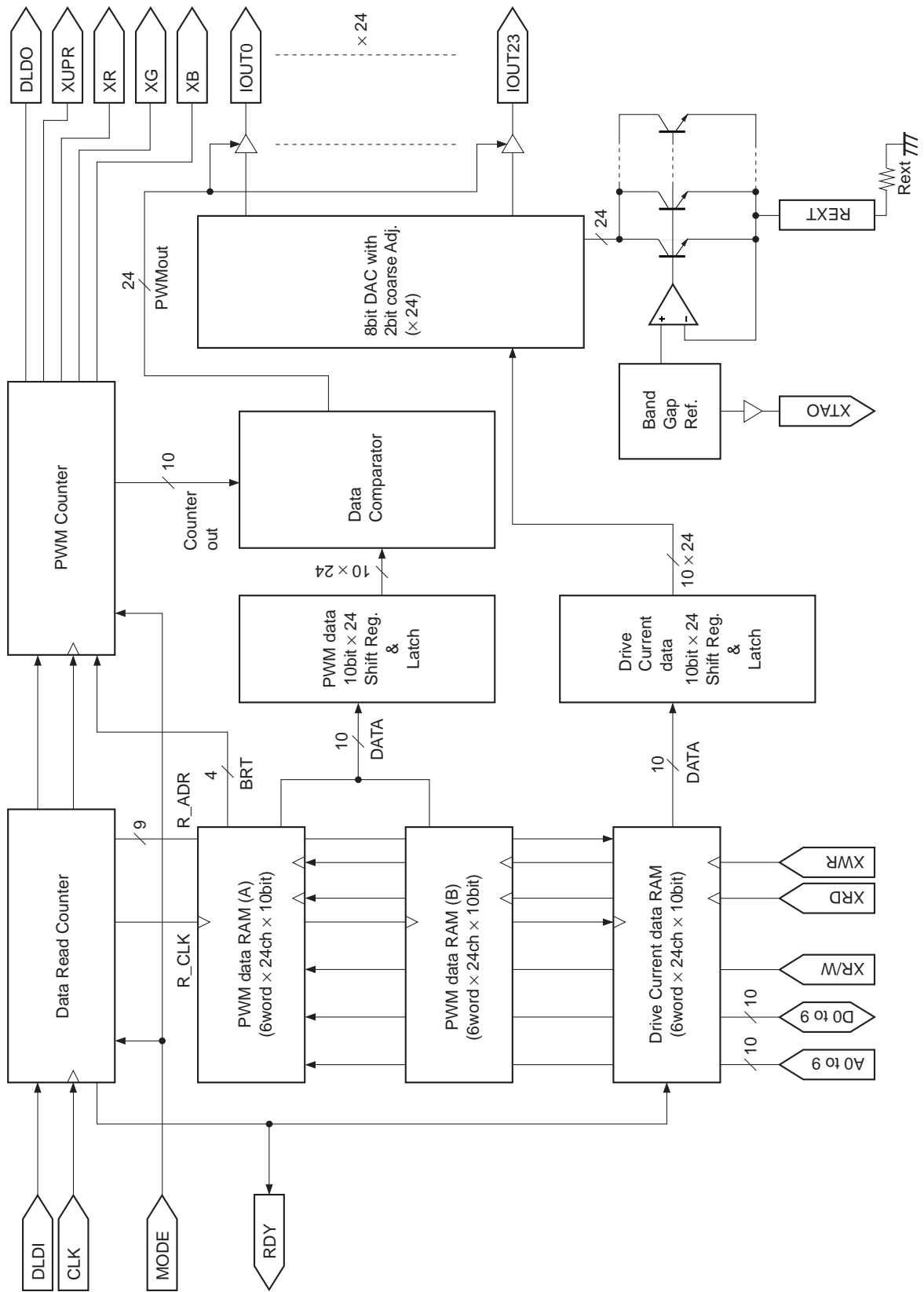
**Recommended Operating Range**

|   |   |            |              |   |     |            |   |      |                  |   |                     |  |  |    |            |    |    |             |    |
|---|---|------------|--------------|---|-----|------------|---|------|------------------|---|---------------------|--|--|----|------------|----|----|-------------|----|
| <ul style="list-style-type: none"> <li>• Supply voltage</li> <li>• Driver output compliance voltage</li> <li>• Operating temperature (ambient temperature)*1</li> <li>• Operating temperature (case temperature)*1</li> </ul> | <table border="0" style="width: 100%; border-collapse: collapse;"> <tr><td style="padding-right: 10px;">AVcc, DVcc</td><td style="padding-right: 10px;">4.75 to 5.25</td><td style="text-align: right;">V</td></tr> <tr><td style="padding-right: 10px;">VPD</td><td style="padding-right: 10px;">AVcc to 10</td><td style="text-align: right;">V</td></tr> <tr><td style="padding-right: 10px;">Vcmp</td><td style="padding-right: 10px;">1.0 to VPD + 0.3</td><td style="text-align: right;">V</td></tr> <tr><td colspan="3" style="padding-right: 10px;">(I_DVR = 0 to 70mA)</td></tr> <tr><td style="padding-right: 10px;">Ta</td><td style="padding-right: 10px;">-20 to +65</td><td style="text-align: right;">°C</td></tr> <tr><td style="padding-right: 10px;">Tc</td><td style="padding-right: 10px;">-20 to +110</td><td style="text-align: right;">°C</td></tr> </table> | AVcc, DVcc | 4.75 to 5.25 | V | VPD | AVcc to 10 | V | Vcmp | 1.0 to VPD + 0.3 | V | (I_DVR = 0 to 70mA) |  |  | Ta | -20 to +65 | °C | Tc | -20 to +110 | °C |
| AVcc, DVcc  | 4.75 to 5.25  | V          |              |   |     |            |   |      |                  |   |                     |  |  |    |            |    |    |             |    |
| VPD   | AVcc to 10  | V          |              |   |     |            |   |      |                  |   |                     |  |  |    |            |    |    |             |    |
| Vcmp  | 1.0 to VPD + 0.3  | V          |              |   |     |            |   |      |                  |   |                     |  |  |    |            |    |    |             |    |
| (I_DVR = 0 to 70mA)   |   |            |              |   |     |            |   |      |                  |   |                     |  |  |    |            |    |    |             |    |
| Ta  | -20 to +65  | °C         |              |   |     |            |   |      |                  |   |                     |  |  |    |            |    |    |             |    |
| Tc  | -20 to +110   | °C         |              |   |     |            |   |      |                  |   |                     |  |  |    |            |    |    |             |    |

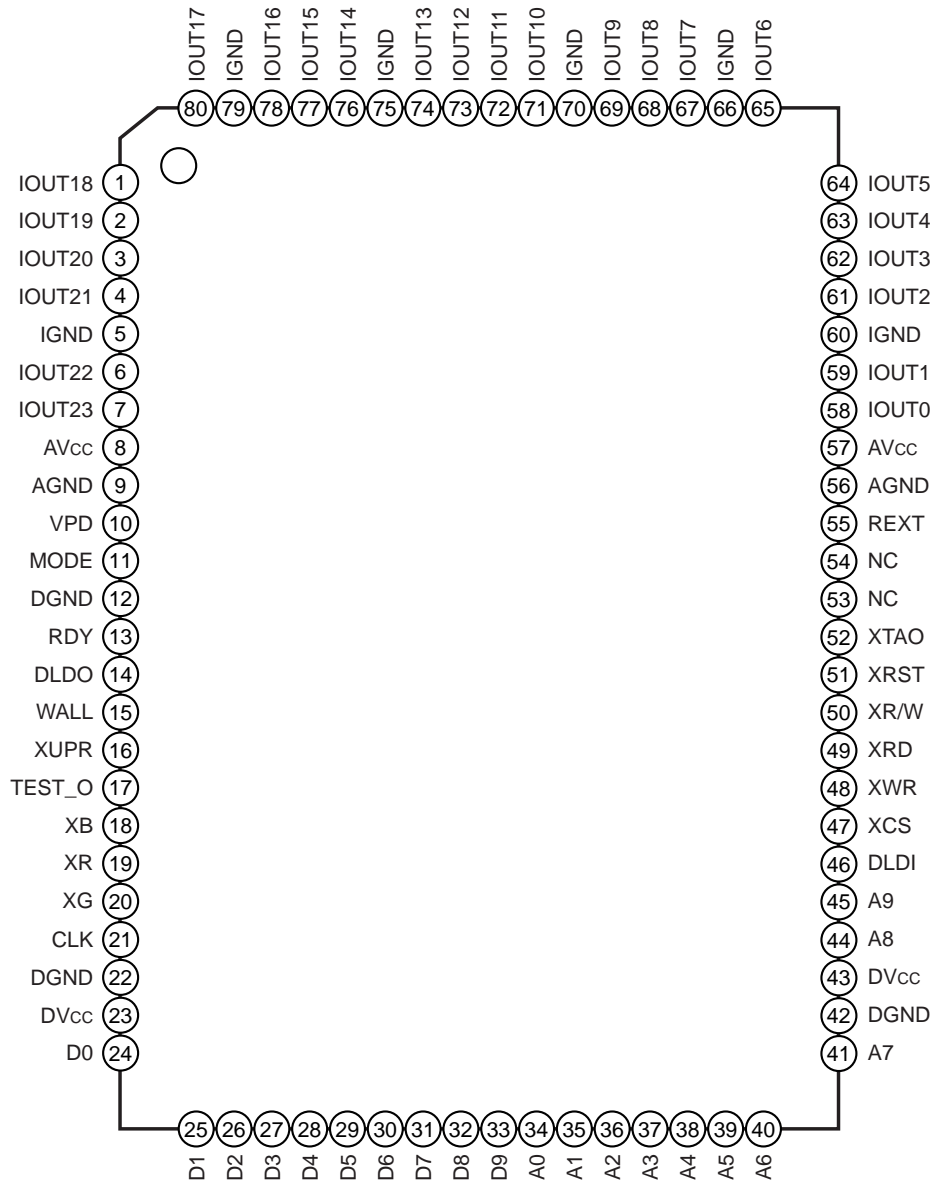
\*1 When mounted on a printed circuit board

Sony reserves the right to change products and specifications without prior notice. This information does not convey any license by any implication or otherwise under any patents or other right. Application circuits shown, if any, are typical examples illustrating the operation of the devices. Sony cannot assume responsibility for any problems arising out of the use of these circuits.

Block Diagram



Pin Configuration (Top View)



Pin Description

| Pin No.               | Symbol  | I/O | Reference voltage level | Equivalent circuit | Description  |
|-----------------------|---------|-----|-------------------------|--------------------|--|
| 9, 56                 | AGND    | —   | GND                     |                    | Analog GND.  |
| 8, 57                 | AVcc    | —   | 5V (Typ.)               |                    | Analog power supply.   |
| 12, 22, 42            | DGND    | —   | GND                     |                    | Digital GND.   |
| 23, 43                | DVcc    | —   | 5V (Typ.)               |                    | Digital power supply.  |
| 5, 60, 66, 70, 75, 79 | IGND    | —   | GND                     |                    | GND for driver output.   |
| 53, 54                | NC      | —   |                         |                    | Open.<br>This pin is not connected with the internal circuits.   |
| 21                    | CLK     | I   | CMOS                    |                    | <p>Clock input.<br/>Driver operation is synchronized with this clock.</p>  |
| 51                    | XRST    | I   | CMOS                    |                    | <p>Reset input.<br/>The IC is initialized by inputting low level. However, the memory is not initialized. Input high level during normal operation.</p>  |
| 11                    | MODE    | I   | CMOS                    |                    | <p>Output mode switching.<br/>Upper/Lower mode for low level input.<br/>Upper/Lower/RGB mode for high level input. (See the Description of Operation.)</p>   |
| 34 to 41, 44          | A0 to 8 | I   | CMOS                    |                    | <p>Address input.<br/>These pins are used to input the internal RAM (luminance data, brightness data and drive current data RAM) address.</p>  |
| 45                    | A9      | I   | CMOS                    |                    | <p>RAM selection.<br/>The luminance data RAM is selected when this pin is low, and the drive current data RAM when high.</p>   |
| 24 to 33              | D0 to 9 | I/O | CMOS                    |                    | <p>Data I/O.<br/>These pins are used to input and output data to and from the internal RAM (luminance data, brightness data and drive current data RAM). See Table 1. Read/Write Switching Condition Correspondence Table for the data I/O switching conditions.</p> |

| Pin No. | Symbol | I/O | Reference voltage level | Equivalent circuit | Description   |
|---------|--------|-----|-------------------------|--------------------|---|
| 47      | XCS    | I   | CMOS                    |                    | Internal RAM chip select. Internal RAM access is enabled by inputting low level. (See Table 1. Read/Write Switching Condition Correspondence Table.)  |
| 50      | XR/W   | I   | CMOS                    |                    | Internal RAM read/write select. Write mode is selected for high level, and read mode for low level. See Table 1. Read/Write Switching Condition Correspondence Table for the actual read/write switching signal input conditions.                     |
| 48      | XWR    | I   | CMOS                    |                    | Write clock input. This pin is used to input the clock for writing the luminance, brightness and drive current data. It is not synchronized with CLK.   |
| 49      | XRD    | I   | CMOS                    |                    | Read clock input. This pin is used to input the clock for externally reading the luminance, brightness and drive current data. It is not synchronized with CLK.   |
| 46      | DLDI   | I   | CMOS                    |                    | Trigger signal input for luminance data RAM (A)/(B) switching and PWM output start. (See the Timing Charts.)  |
| 10      | VPD    | —   | 5V (Typ.)               |                    | Voltage supply terminal for cathode of positive protection diode which connected to drivers (IOUT0 to IOUT23) and REXT (55pin). Normally, connect to LED DC supply. However, when the LED DC supply voltage exceeds 10V, VPD must be set 10V or less. |

| Pin No. | Symbol | I/O | Reference voltage level | Equivalent circuit | Description  |
|---------|--------|-----|-------------------------|--------------------|--|
| 13      | RDY    | O   | CMOS                    |                    | READY signal output.<br>This indicates the drive current data RAM access enabled period. Access is enabled while high level is output. (See the Timing Charts.)  |
| 14      | DLDO   | O   | CMOS                    |                    | DLDI signal output.<br>This outputs the DLDI signal synchronized with CLK.   |
| 15      | WALL   | O   | CMOS                    |                    | Write ALL signal output.<br>One pulse (= high level signal with a width of 1 clock) is output synchronized with the rising edge of the next CLK after the final address*1 of the currently selected mode is input. Note that both the final address must be input and the XCS and XWR input levels must be low at the rising edge of this CLK. (See the Timing Charts for details.)<br><br>*1 02Fh (Upper/Lower mode)<br>08Fh (Upper/Lower/RGB mode) |
| 16      | XUPR   | O   | CMOS                    |                    | Upper signal output.<br>This is used as the LED switching signal. (See the Timing Charts and Application Circuits for details.)  |
| 17      | TEST_O | O   | CMOS                    |                    | Test signal output.<br>This pin is unrelated to the functions of this IC. Do not connect anything; leave this pin open.  |
| 18      | XB     | O   | CMOS                    |                    | Blue signal output.<br>This is used as the LED switching signal. (See the Timing Charts and Application Circuits for details.)   |
| 19      | XR     | O   | CMOS                    |                    | Red signal output.<br>This is used as the LED switching signal. (See the Timing Charts and Application Circuits for details.)  |
| 20      | XG     | O   | CMOS                    |                    | Green signal output.<br>This is used as the LED switching signal. (See the Timing Charts and Application Circuits for details.)  |
| 52      | XTAO   | O   | CMOS                    |                    | Thermal Alarm Out signal output.<br>This pin normally outputs high level, but it outputs low level when the internal temperature rises to an abnormally high level.  |

| Pin No.   | Symbol      | I/O | Reference voltage level | Equivalent circuit | Description   |
|---|-------------|-----|-------------------------|--------------------|---|
| 55  | REXT        | O   |                         |                    | <p>Drive current setting.<br/>Connect a resistor between this pin and GND. The drive current is proportional to the current flowing to this resistor. (See Table 2. Drive Current Setting and Power Consumption.)</p> |
| 1 to 4,<br>6, 7,<br>58, 59,<br>61 to 65,<br>67 to 69,<br>71 to 74,<br>76 to 78,<br>80 | IOUT0 to 23 | O   |                         |                    | <p>Drivers.<br/>These pins drive the LED.</p>   |

| XCS [I] | XR/W [I] | A9 [I] | Luminance |         | Drive current |         | D0 to 9 [I/O] |
|---------|----------|--------|-----------|---------|---------------|---------|---------------|
|         |          |        | Write     | Read    | Write         | Read    |               |
| L       | L        | L      | Disable   | Enable  | Disable       | Disable | Output        |
|         |          | H      | Disable   | Disable | Disable       | Enable  | Output        |
|         | H        | L      | Enable    | Disable | Disable       | Disable | Input         |
|         |          | H      | Disable   | Disable | Enable        | Disable | Input         |
| H       | L        | L      | Disable   | Disable | Disable       | Disable | Hi-Z          |
|         |          | H      | Disable   | Disable | Disable       | Disable | Hi-Z          |
|         | H        | L      | Disable   | Disable | Disable       | Disable | Hi-Z          |
|         |          | H      | Disable   | Disable | Disable       | Disable | Hi-Z          |

Table 1. Read/Write Switching Condition Correspondence Table

| Rext [kΩ] | D9 | D8 | Io (FFh) [mA] | Istb [mA] | Pstb [W] | Po (max) [W] |
|-----------|----|----|---------------|-----------|----------|--------------|
| 2.0       | 0  | 0  | 21.7          | 22.3      | 0.111    | 1.39         |
| 2.0       | 0  | 1  | 43.3          | 38.1      | 0.190    | 1.31         |
| 2.0       | 1  | 0  | 65.0          | 53.8      | 0.269    | 1.23         |
| 2.0       | 1  | 1  | 86.7 *1       | 69.6      | 0.348    | 1.15         |
| 2.5       | 0  | 0  | 17.3          | 18.4      | 0.092    | 1.41         |
| 2.5       | 0  | 1  | 34.7          | 31.1      | 0.155    | 1.34         |
| 2.5       | 1  | 0  | 52.0          | 43.7      | 0.218    | 1.28         |
| 2.5       | 1  | 1  | 69.3          | 56.3      | 0.281    | 1.22         |
| 3.0       | 0  | 0  | 14.4          | 15.9      | 0.079    | 1.42         |
| 3.0       | 0  | 1  | 28.9          | 26.4      | 0.132    | 1.37         |
| 3.0       | 1  | 0  | 43.3          | 36.9      | 0.184    | 1.32         |
| 3.0       | 1  | 1  | 57.8          | 47.4      | 0.237    | 1.26         |
| 3.5       | 0  | 0  | 12.4          | 14.0      | 0.070    | 1.43         |
| 3.5       | 0  | 1  | 24.8          | 23.1      | 0.115    | 1.38         |
| 3.5       | 1  | 0  | 37.1          | 32.1      | 0.160    | 1.34         |
| 3.5       | 1  | 1  | 49.5          | 41.1      | 0.205    | 1.29         |
| 4.0       | 0  | 0  | 10.8          | 12.7      | 0.063    | 1.44         |
| 4.0       | 0  | 1  | 21.7          | 20.6      | 0.103    | 1.40         |
| 4.0       | 1  | 0  | 32.5          | 28.4      | 0.142    | 1.36         |
| 4.0       | 1  | 1  | 43.3          | 36.3      | 0.182    | 1.32         |

\*1 Absolute maximum rating exceeded.

**Table 2. Drive Current Setting and Power Consumption** (when D0 to D7 = FFh)

Rext : External resistor that sets the DAC reference current (Iref)

D9, D8 : Data that sets the maximum drive current (Io (FFh))

Iref : DAC reference current

$$I_{ref} [mA] = 1.3 [V] / R_{ext} [k\Omega] / 24$$

Io (FFh) : Maximum drive current that can be set by D0 to D7

$$I_o (FFh) [mA] = I_{ref} \times (2 \times D9 + D8 + 1) \times 800$$

Istb : Standby current (Internal current consumption excluding the driver block)

$$I_{stb} [mA] = 3.06 + 24 \times I_{ref} \times (16/3 + 24.25 \times (2 \times D9 + D8 + 1))$$

Pstb : Standby power (Internal power consumption excluding the driver block, Vcc = 5 V)

$$P_{stb} [W] = 5 [V] \times I_{stb} [mA] / 1000$$

Po (max): Maximum power that can be consumed by the driver block

$$P_o (max) [W] = 1.5 [W] - P_{stb} [W]$$

**Note)** Istb, Pstb and Po (max) are the values when D0 to D7 = 11111111 (FFh).

In addition, these values assume the case where all channels are set to the same drive current.



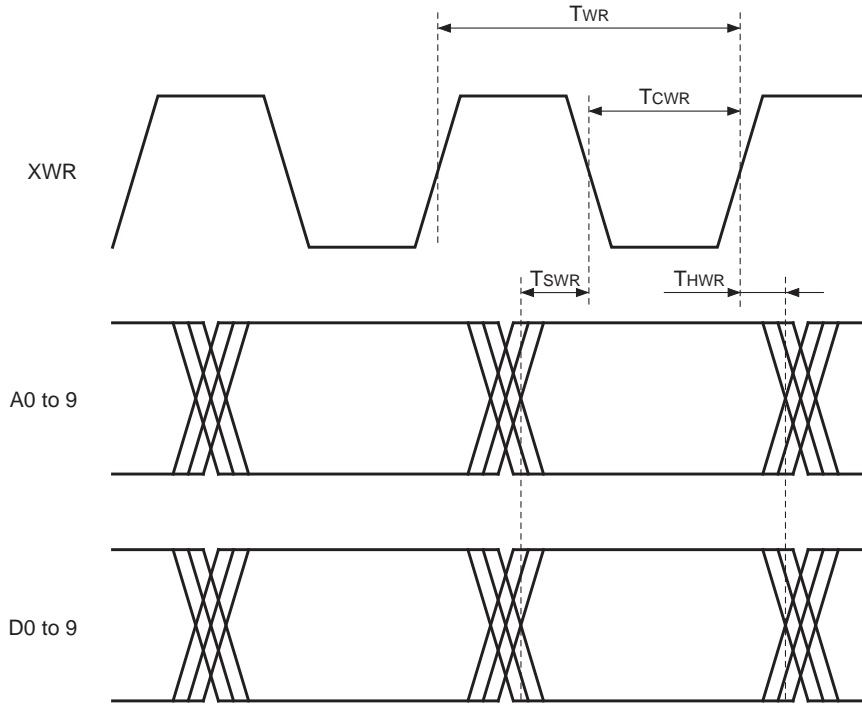
## Electrical Characteristics

(AV<sub>CC</sub>, DV<sub>CC</sub> = +5V, VPD = +10V, AGND, DGND, IGND = 0V)

| Item   | Symbol             | Conditions   | Min.                | Typ. | Max.                   | Unit |
|--|--------------------|--|---------------------|------|------------------------|------|
| <b>Driver block</b>                                |                    |  |                     |      |                        |      |
| PWM reference clock frequency                      | f <sub>CLK</sub>   |  |                     |      | 15                     | MHz  |
| REXT pin voltage                                   | V <sub>REXT</sub>  | R <sub>ext</sub> = 2kΩ   | 1235                | 1300 | 1365                   | mV   |
| REXT pin voltage<br>Supply voltage dependency      | ΔV <sub>REXT</sub> | V <sub>REXT</sub> (@AV <sub>CC</sub> = 5.25V)<br>– V <sub>REXT</sub> (@AV <sub>CC</sub> = 4.75V) | 0                   |      | 20                     | mV   |
| Standby supply current                             | I <sub>CC</sub>    | R <sub>ext</sub> = 2kΩ, D8 = D9 = 0<br><b>Note</b> ) Excluding the driver block                  | 20                  |      | 30                     | mA   |
| PWM output resolution                              |                    |  |                     | 10   |                        | bit  |
| Drive current setting resolution                   |                    |  |                     |      |                        |      |
| Coarse Adj.  |                    |  |                     | 2    |                        | bit  |
| Fine Adj.  |                    |  |                     | 8    |                        | bit  |
| DC characteristics<br>Differential linearity error | DLE                | I <sub>o</sub> (FFh) = 60mA<br>(D0 [LSB] to D7 [MSB] = FFh)                                      |                     |      | ±0.8                   | LSB  |
| Output current                                     | I <sub>OUT</sub>   |  |                     |      | 70                     | mA   |
| Output compliance voltage                          | V <sub>cmp</sub>   | I <sub>o</sub> = 0 to 70mA   | 1                   |      | VPD + 0.3              | V    |
| <b>Logic block</b>                                 |                    |  |                     |      |                        |      |
| Digital input current (I, I/O)                     |                    |  |                     |      |                        |      |
| (H)  | I <sub>IH</sub>    | V <sub>IN</sub> = 5V   | –5                  |      | 5                      | μA   |
| (L)  | I <sub>IL</sub>    | V <sub>IN</sub> = 0V   | –5                  |      | 5                      | μA   |
| Digital input voltage (I, I/O)                     |                    |  |                     |      |                        |      |
| (H)  | V <sub>IH</sub>    |  | 0.7DV <sub>CC</sub> |      | DV <sub>CC</sub> + 0.3 | V    |
| (L)  | V <sub>IL</sub>    |  | –0.3                |      | 0.3DV <sub>CC</sub>    | V    |
| Digital output voltage (O)                         |                    |  |                     |      |                        |      |
| (H)  | V <sub>OH</sub>    | DV <sub>CC</sub> = 5V, I <sub>OH</sub> = –2mA  | 4                   |      |                        | V    |
| (L)  | V <sub>OL</sub>    | DV <sub>CC</sub> = 5V, I <sub>OL</sub> = 4mA   |                     |      | 0.4                    | V    |
| Digital output voltage (I/O)                       |                    |  |                     |      |                        |      |
| (H)  | V <sub>OZH</sub>   | DV <sub>CC</sub> = 5V, I <sub>OH</sub> = –2mA  | 3.7                 |      |                        | V    |
| (L)  | V <sub>OZL</sub>   | DV <sub>CC</sub> = 5V, I <sub>OL</sub> = 4mA   |                     |      | 0.4                    | V    |
| RAM write mode                                     |                    |  |                     |      |                        |      |
| Write cycle  | T <sub>WR</sub>    |  | 133.3               |      |                        | ns   |
| Write pulse width                                  | T <sub>CWR</sub>   |  | 55                  |      |                        | ns   |
| Setup time   | T <sub>SWR</sub>   |  | 10                  |      |                        | ns   |
| Hold time  | T <sub>HWR</sub>   |  | 10                  |      |                        | ns   |
| RAM read mode                                      |                    |  |                     |      |                        |      |
| Read cycle   | T <sub>RD</sub>    |  | 133.3               |      |                        | ns   |
| Read pulse width                                   | T <sub>CRD</sub>   |  | 55                  |      |                        | ns   |
| Setup time   | T <sub>SRD</sub>   |  | 10                  |      |                        | ns   |
| Hold time  | T <sub>HRD</sub>   |  | 10                  |      |                        | ns   |
| Output delay time                                  | T <sub>PDD</sub>   | Output load 50pF or less   |                     |      | 100                    | ns   |

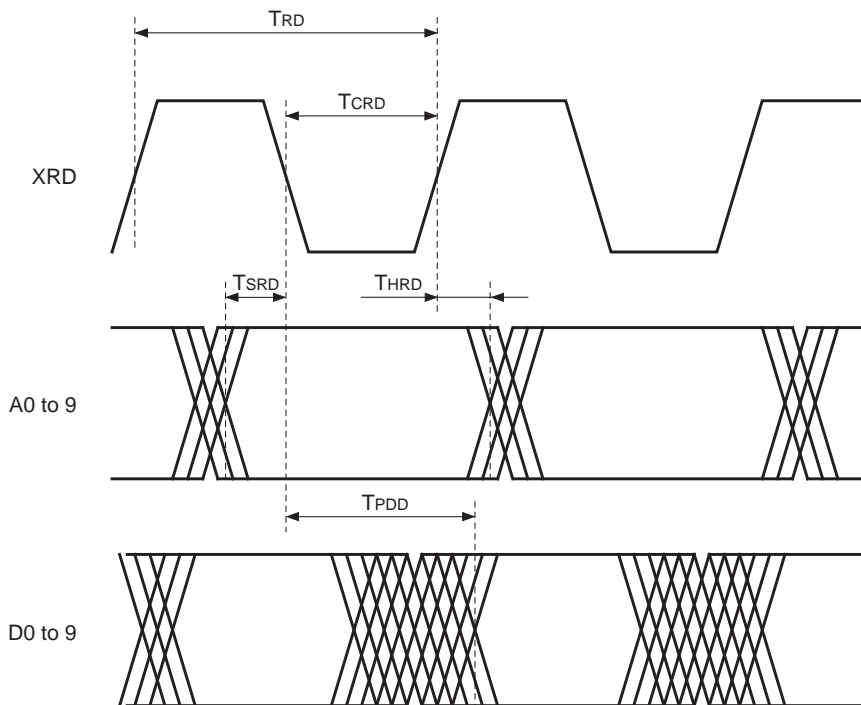
Timing Charts (RAM)

(1) Write mode (XR/W = H)



**Note)** The address is not latched internally, so do not change the address while XWR is low.

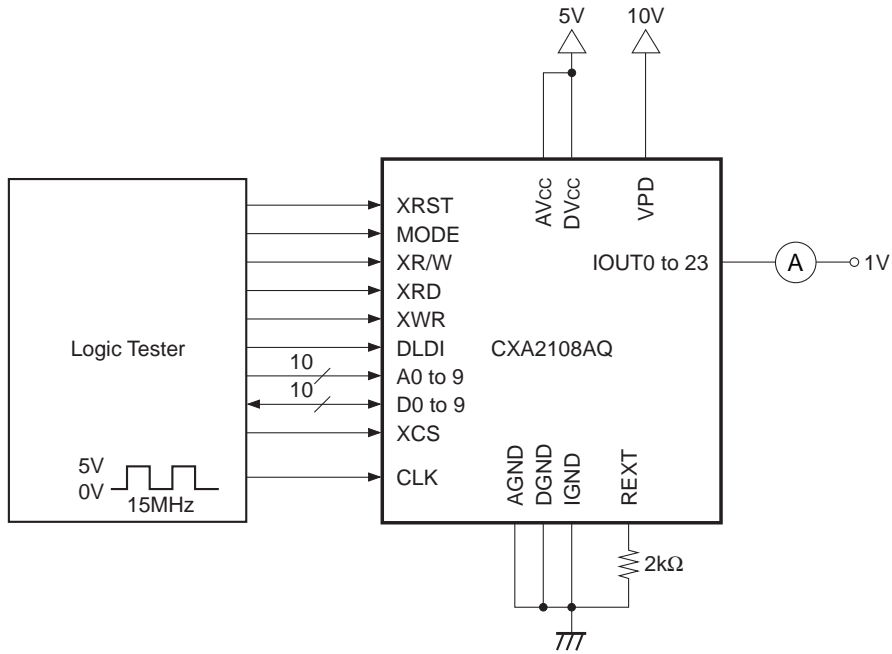
(1) Read mode (XR/W = L)



**Note)** The address is not latched internally, so do not change the address while XRD is low.

Electrical Characteristics Measurement Circuit

DC Characteristics Measurement Circuit



**Description of Operation**

**1. Description**

The CXA2108AQ is an LED driver for full color LED displays. The RGB luminance which becomes the video data is controlled by pulse width modulation (PWM), and the luminance variance of each LED is corrected by the drive current. The basic PWM clock width can be set in 16 steps from 1× to 16× by the brightness data, making it possible to adjust the brightness of the entire screen. There are 24 driver outputs, and time division allows driving of either two or six LEDs per output by adding an external FET or other switch.

The luminance (pulse width), drive current and brightness are set by writing data to the internal memory according to the memory map. The luminance and drive current can be set independently for each LED.

**2. Relationship between the luminance data (PWM data: Dv), brightness data (Db) and the LED emitting duty**

The CXA2108AQ adjusts the LED luminance which becomes the video data by changing the LED emitting time duty through PWM of the luminance data. The luminance consists of luminance data and brightness data. The luminance data (Dv) has an accuracy of 10 bits (= 1,024 steps: 0 to 1,023) and can be set independently for each LED. The brightness data (Db) controls the basic PWM clock width with 4 bits (= 16 steps: 1× to 16×), and is common data for all outputs. The brightness data is normally used when adjusting the brightness of the entire screen.

Labeling the LED emitting cycle as Ts and the CLK cycle as TCLK , this relationship is given by the following formula.

$$T_s = 1,024 \times 16 \times T_{CLK}$$

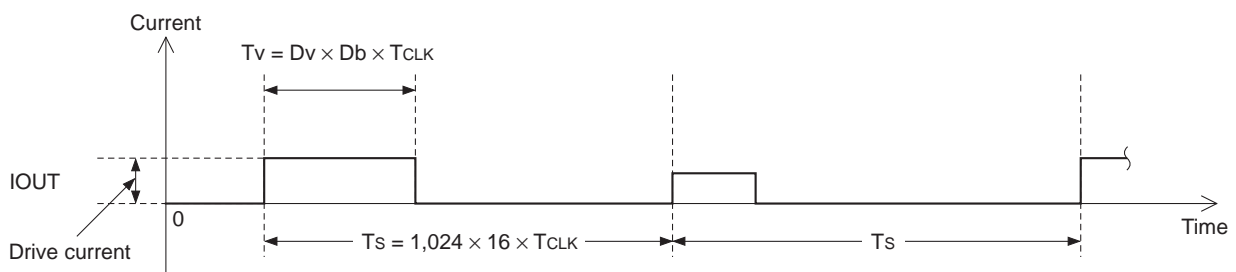
The LED emitting time Tv within this Ts time is:

$$T_v = D_v \times D_b \times T_{CLK}$$

Therefore, the emitting duty is:

$$T_v/T_s \times 100 = (D_v \times D_b)/(1,024 \times 16) \times 100 [\%]$$

The drive current waveform and the relationship between the luminance data, brightness data and the emitting duty are shown below.



**Fig. 1. Drive Current Waveform**

| Luminance data (Dv)<br>D9 to 0<br>D9      D0 | Nv*1 and emitting duty      |                   |                             |                   |                             |                   |
|--|-----------------------------|-------------------|-----------------------------|-------------------|-----------------------------|-------------------|
|  | Brightness (D3 to 0) = 0000 |                   | Brightness (D3 to 0) = 0111 |                   | Brightness (D3 to 0) = 1111 |                   |
|  | Nv                          | Emitting duty [%] | Nv                          | Emitting duty [%] | Nv                          | Emitting duty [%] |
| 000000000                                    | 0                           | 0                 | 0                           | 0                 | 0                           | 0                 |
| 000000001                                    | 1                           | 0.006             | 8                           | 0.049             | 16                          | 0.098             |
| 000000010                                    | 2                           | 0.012             | 16                          | 0.098             | 32                          | 0.195             |
| ⋮  | ⋮                           | ⋮                 | ⋮                           | ⋮                 | ⋮                           | ⋮                 |
| 100000000                                    | 512                         | 3.125             | 4096                        | 25.00             | 8192                        | 50.00             |
| ⋮  | ⋮                           | ⋮                 | ⋮                           | ⋮                 | ⋮                           | ⋮                 |
| 111111111                                    | 1023                        | 6.244             | 8184                        | 49.95             | 16368                       | 99.90             |

\*1  $Nv = Tv/T_{CLK} = Dv \times Db$

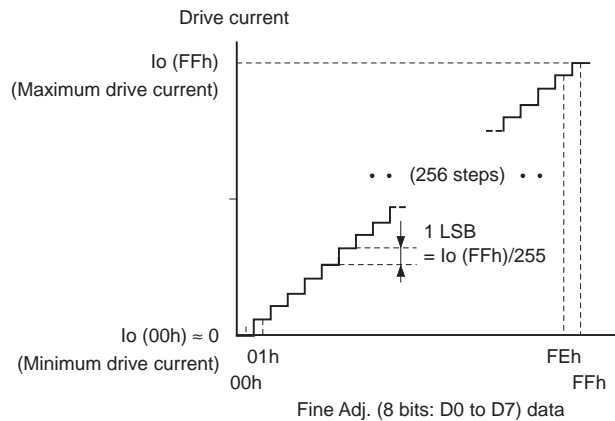
**Table 3. Relationship Between Luminance Data, Brightness Data and Emitting Duty**

**3. Drive current data (Dd)**

Even when driving LEDs of the same color with the same current value, individual differences in characteristics result in an uneven emitting intensity. In addition, the required current value also differs according to the emitting color (RGB). That is to say, the necessary current differs for each LED. This drive current IOUT corresponds to the amplitude of the IOUT output PWM waveform as shown in Fig. 1. The CXA2108AQ can set this current independently for each LED using Coarse Adj. (2 bits: D8, D9) and Fine Adj. (8 bits: D0 to D7). The maximum values of the drive current (Io (FFh): IOUT @ D0 to D7 = FFh) are varied in 4 levels by Coarse Adj. (2 bits: D8, D9). The minimum drive current (Io (00h): IOUT @ D0 to D7 = 00h) is approximately 0mA, regardless of the Coarse Adj. range. The range from the minimum to the maximum drive current can be set at an accuracy of 8 bits (D0 to D7 = 256 steps).

Note that this drive current is generated using the Iref described in 6. as the reference.

The relationship between the Fine Adj. (8 bits: D0 to D7) data and the drive current, and the drive current data (D0 to D9) to drive current correspondence table are shown below.



**Fig. 2. Relationship Between Fine Adj. (8 bits: D0 to D7) Data and Drive Current**

| Drive current data (Dd)<br>D7 to 0<br>D7      D0 | Drive current |             |             |             |             |             |             |             |                                |
|--|---------------|-------------|-------------|-------------|-------------|-------------|-------------|-------------|--------------------------------|
|  | D9<br>0       | D8<br>0     | D9<br>0     | D8<br>1     | D9<br>1     | D8<br>0     | D9<br>1     | D8<br>1     |                                |
| 00000000 (00h)                                   | 0             | 0           | 0           | 0           | 0           | 0           | 0           | 0           | Minimum drive current Io (00h) |
| ⋮  | ⋮             | ⋮           | ⋮           | ⋮           | ⋮           | ⋮           | ⋮           | ⋮           |                                |
| 10000000 (80h)                                   | 400 × Iref    | 800 × Iref  | 1200 × Iref | 1600 × Iref | 1600 × Iref | 1600 × Iref | 1600 × Iref | 1600 × Iref |                                |
| ⋮  | ⋮             | ⋮           | ⋮           | ⋮           | ⋮           | ⋮           | ⋮           | ⋮           | Maximum drive current Io (FFh) |
| 11111111 (FFh)                                   | 800 × Iref    | 1600 × Iref | 2400 × Iref | 3200 × Iref | 3200 × Iref | 3200 × Iref | 3200 × Iref | 3200 × Iref |                                |

**Table 4. Drive Current Data (D0 to D9) to Drive Current Correspondence Table**

#### 4. Operating modes (Upper/Lower, Upper/Lower/RGB)

The CXA2108AQ has the following two operation modes which are set by the MODE pin.

##### 4-1. Upper/Lower mode (MODE = low)

In this mode, two LEDs are driven by time division for each IOOUT output.

First, PWM waveform output starts triggered by the DLDI input signal. In this mode, two kinds of luminance data are output by time division for each output. Labeling these data as U and L, the driver outputs the data in the order of U → L → U → L → U → and so on. The XUPR pin output voltage switches in sync with the LED emitting cycle Ts in the order of L → H → L → and so on, so this can be used as the FET or other switch signal for switching the LED. (See Fig. 6. Timing Chart 2-1 and Fig. 11. Application Circuit (1) for details.)

New PWM data is output when the next DLDI signal is input.

##### 4-2. Upper/Lower/RGB mode (MODE = high)

In this mode, six LEDs can be driven by time division for each IOOUT output.

PWM waveform output starts triggered by the DLDI input signal. In this mode, six kinds of luminance data are output by time division for each output. Labeling these data as UB, UR, UG, LB, LR and LG, the driver switches the output in the order of UB → UR → UG → LB → LR → LG → UB → and so on. Like Upper/Lower mode, the XUPR and also the XB, XR and XG output voltages switch in sync with Ts, so these can be used as the FET or other switch signals for switching the LEDs. The output voltages at this time are: XUPR = low for U\*, XUPR = high for L\*, XB = low (XR = XG = high) for \*B, XR = low (XB = XG = high) for \*R, and XG = low (XB = XR = high) for \*G. (See Fig. 7. Timing Chart 2-2 and Fig. 12. Application Circuit (2) for details.)

New PWM data is output when the next DLDI signal is input.

#### 5. Luminance data memory and DLDI signal

The CXA2108AQ uses two sets of 6-word × 24-channel × 10-bit RAM (RAM (A), RAM (B)) as luminance data memories, and switches these memories. While the data in one memory is being loaded internally and PWM output is being performed, the next luminance data can be written to the other memory from an external source. Memory switching is performed by inputting a trigger signal to the DLDI pin. The read/write enabled memory alternates from A → B → A → and so on, and the memory used for PWM output alternates from B → A → B → and so on each time the signal is input to DLDI. The DLDI signal switches the memory, and at the same time functions as the PWM output start trigger pulse. See the Timing Charts for details.

#### 6. Reference current (Iref)

The drive current is generated using the current flowing to an external resistor as the reference. This resistor Rext is connected between the REXT pin and GND. The REXT pin voltage is designed to be unaffected by supply voltage, temperature or other fluctuations, and is always a constant voltage (approximately 1.3V). Therefore, a constant current can be realized by using a resistor that does not have temperature characteristics. The current obtained by dividing this current value by the number of IOOUT outputs (24) is defined as Iref.

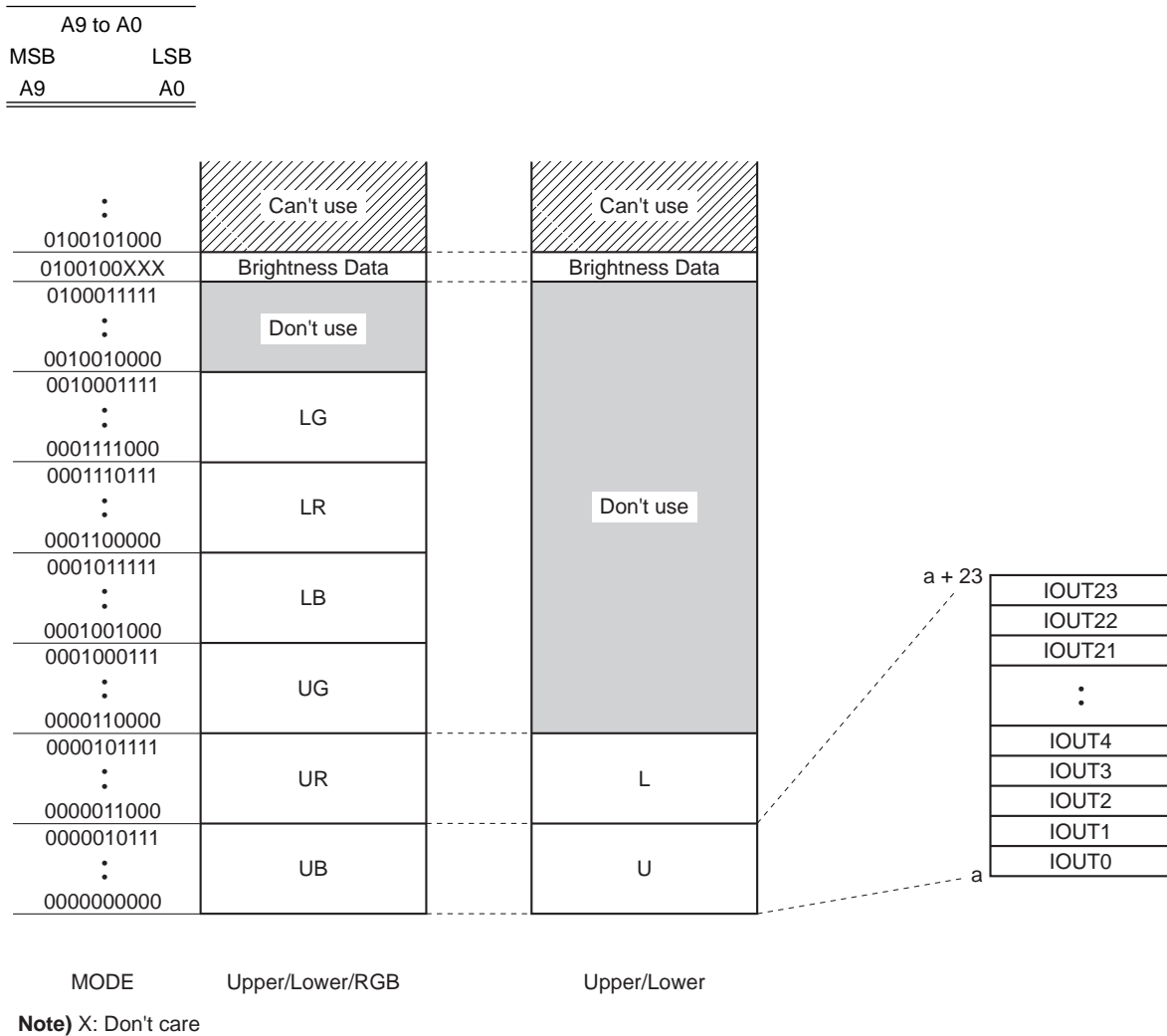
$$I_{ref} = (1.3/R_{ext})/24$$

The maximum drive current value can be changed by varying the resistance value. See Table 2. Drive Current Setting and Power Consumption for details.

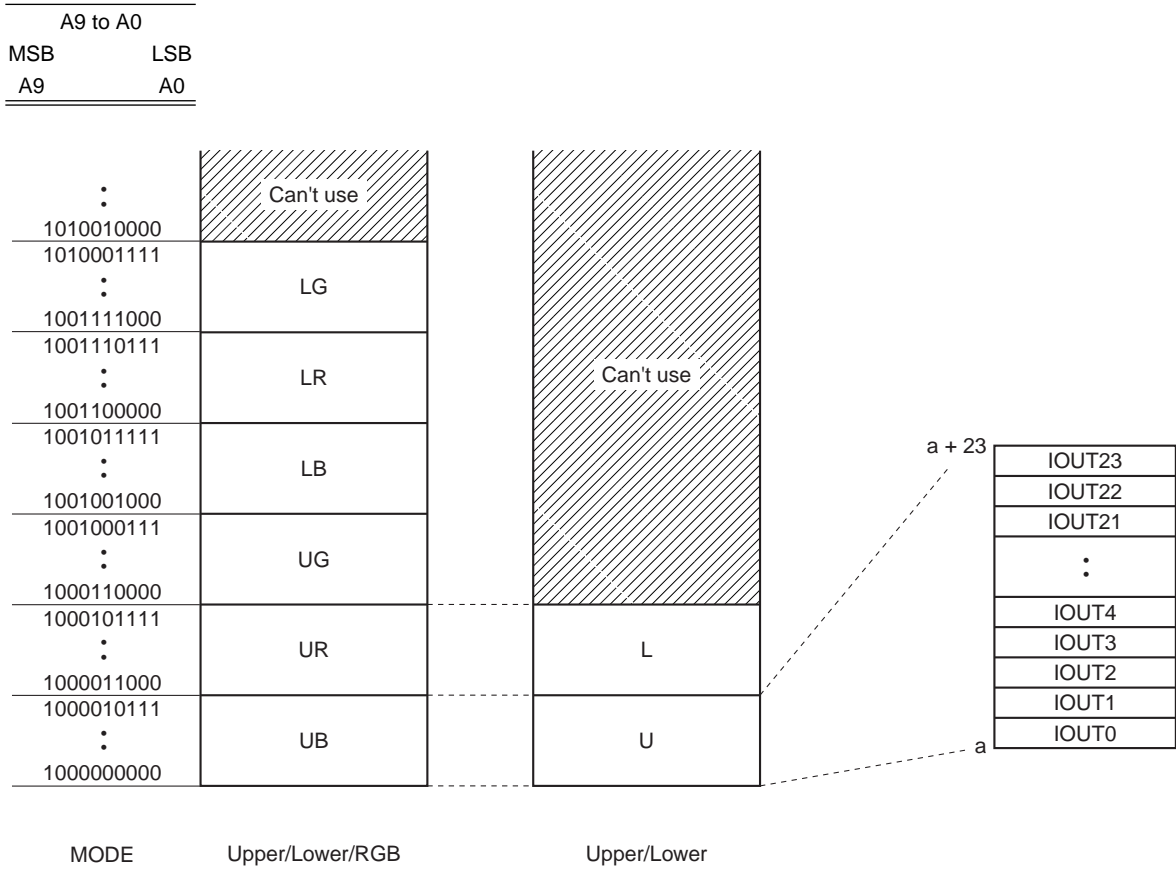
**7. Data setting**

The above mentioned luminance data Dv, brightness data Db and drive current data Dd are set using address input pins A0 to A9 and data I/O pins D0 to D9. See the Timing Charts for the memory read/write enabled period, and Table 1. Read/Write Switching Condition Correspondence Table for the pin setting conditions. The address, data, XWR and XRD setup, hold and other timings should be as stated in the Electrical Characteristics. See Tables 5. and 6. LED Driver Memory Map with respect to the memory address of each IOOUT output pin (IOOUT0 to IOOUT23).

The relationship between the data and the memory address is as follows.



**Fig. 3. Relationship Between Memory Address and Data (Luminance Data Dv, Brightness Data Db)**



**Fig. 4. Relationship Between Memory Address and Data (Drive Current Data Dd)**



**Luminance Data**

|          |       | A9 to A3  |         |         |         |         |         |           |         |         |         |         |         |         |         |         |         |         |         |
|----------|-------|-----------|---------|---------|---------|---------|---------|-----------|---------|---------|---------|---------|---------|---------|---------|---------|---------|---------|---------|
|          |       | UPPER (U) |         |         |         |         |         | LOWER (L) |         |         |         |         |         |         |         |         |         |         |         |
| A2 to A0 | 000   | 0000000   | 0000001 | 0000010 | 0000011 | 0000100 | 0000101 | 0000110   | 0000111 | 0001000 | 0001001 | 0001010 | 0001011 | 0001100 | 0001101 | 0001110 | 0001111 | 0010000 | 0010001 |
|          | 001   | IOUT0     | IOUT8   | IOUT16  | IOUT0   | IOUT8   | IOUT16  | IOUT0     | IOUT8   | IOUT16  | IOUT0   | IOUT8   | IOUT16  | IOUT0   | IOUT8   | IOUT16  | IOUT0   | IOUT8   | IOUT16  |
|          | 010   | IOUT1     | IOUT9   | IOUT17  | IOUT1   | IOUT9   | IOUT17  | IOUT1     | IOUT9   | IOUT17  | IOUT1   | IOUT9   | IOUT17  | IOUT1   | IOUT9   | IOUT17  | IOUT1   | IOUT9   | IOUT17  |
|          | 011   | IOUT2     | IOUT10  | IOUT18  | IOUT2   | IOUT10  | IOUT18  | IOUT2     | IOUT10  | IOUT18  | IOUT2   | IOUT10  | IOUT18  | IOUT2   | IOUT10  | IOUT18  | IOUT2   | IOUT10  | IOUT18  |
|          | 100   | IOUT3     | IOUT11  | IOUT19  | IOUT3   | IOUT11  | IOUT19  | IOUT3     | IOUT11  | IOUT19  | IOUT3   | IOUT11  | IOUT19  | IOUT3   | IOUT11  | IOUT19  | IOUT3   | IOUT11  | IOUT19  |
|          | 101   | IOUT4     | IOUT12  | IOUT20  | IOUT4   | IOUT12  | IOUT20  | IOUT4     | IOUT12  | IOUT20  | IOUT4   | IOUT12  | IOUT20  | IOUT4   | IOUT12  | IOUT20  | IOUT4   | IOUT12  | IOUT20  |
|          | 110   | IOUT5     | IOUT13  | IOUT21  | IOUT5   | IOUT13  | IOUT21  | IOUT5     | IOUT13  | IOUT21  | IOUT5   | IOUT13  | IOUT21  | IOUT5   | IOUT13  | IOUT21  | IOUT5   | IOUT13  | IOUT21  |
|          | 111   | IOUT6     | IOUT14  | IOUT22  | IOUT6   | IOUT14  | IOUT22  | IOUT6     | IOUT14  | IOUT22  | IOUT6   | IOUT14  | IOUT22  | IOUT6   | IOUT14  | IOUT22  | IOUT6   | IOUT14  | IOUT22  |
|          | IOUT7 | IOUT15    | IOUT23  | IOUT7   | IOUT15  | IOUT23  | IOUT7   | IOUT15    | IOUT23  | IOUT7   | IOUT15  | IOUT23  | IOUT7   | IOUT15  | IOUT23  | IOUT7   | IOUT15  | IOUT23  |         |

**Drive Current Data**

|          |       | A9 to A3  |         |         |         |         |         |           |         |         |         |         |         |         |         |         |         |         |         |
|----------|-------|-----------|---------|---------|---------|---------|---------|-----------|---------|---------|---------|---------|---------|---------|---------|---------|---------|---------|---------|
|          |       | UPPER (U) |         |         |         |         |         | LOWER (L) |         |         |         |         |         |         |         |         |         |         |         |
| A2 to A0 | 000   | 1000000   | 1000001 | 1000010 | 1000011 | 1000100 | 1000101 | 1000110   | 1000111 | 1001000 | 1001001 | 1001010 | 1001011 | 1001100 | 1001101 | 1001110 | 1001111 | 1010000 | 1010001 |
|          | 001   | IOUT0     | IOUT8   | IOUT16  | IOUT0   | IOUT8   | IOUT16  | IOUT0     | IOUT8   | IOUT16  | IOUT0   | IOUT8   | IOUT16  | IOUT0   | IOUT8   | IOUT16  | IOUT0   | IOUT8   | IOUT16  |
|          | 010   | IOUT1     | IOUT9   | IOUT17  | IOUT1   | IOUT9   | IOUT17  | IOUT1     | IOUT9   | IOUT17  | IOUT1   | IOUT9   | IOUT17  | IOUT1   | IOUT9   | IOUT17  | IOUT1   | IOUT9   | IOUT17  |
|          | 011   | IOUT2     | IOUT10  | IOUT18  | IOUT2   | IOUT10  | IOUT18  | IOUT2     | IOUT10  | IOUT18  | IOUT2   | IOUT10  | IOUT18  | IOUT2   | IOUT10  | IOUT18  | IOUT2   | IOUT10  | IOUT18  |
|          | 100   | IOUT3     | IOUT11  | IOUT19  | IOUT3   | IOUT11  | IOUT19  | IOUT3     | IOUT11  | IOUT19  | IOUT3   | IOUT11  | IOUT19  | IOUT3   | IOUT11  | IOUT19  | IOUT3   | IOUT11  | IOUT19  |
|          | 101   | IOUT4     | IOUT12  | IOUT20  | IOUT4   | IOUT12  | IOUT20  | IOUT4     | IOUT12  | IOUT20  | IOUT4   | IOUT12  | IOUT20  | IOUT4   | IOUT12  | IOUT20  | IOUT4   | IOUT12  | IOUT20  |
|          | 110   | IOUT5     | IOUT13  | IOUT21  | IOUT5   | IOUT13  | IOUT21  | IOUT5     | IOUT13  | IOUT21  | IOUT5   | IOUT13  | IOUT21  | IOUT5   | IOUT13  | IOUT21  | IOUT5   | IOUT13  | IOUT21  |
|          | 111   | IOUT6     | IOUT14  | IOUT22  | IOUT6   | IOUT14  | IOUT22  | IOUT6     | IOUT14  | IOUT22  | IOUT6   | IOUT14  | IOUT22  | IOUT6   | IOUT14  | IOUT22  | IOUT6   | IOUT14  | IOUT22  |
|          | IOUT7 | IOUT15    | IOUT23  | IOUT7   | IOUT15  | IOUT23  | IOUT7   | IOUT15    | IOUT23  | IOUT7   | IOUT15  | IOUT23  | IOUT7   | IOUT15  | IOUT23  | IOUT7   | IOUT15  | IOUT23  |         |

Brightness data: A9 to A3 = 0100100b (24h) A2 to A0 = Don't care

**Table 5. LED Driver Memory Map (Upper/Lower mode)**

**Luminance Data**

|          |       | A9 to A3 |         |         |         |         |         |         |         |         |         |         |         |         |         |         |         |         |
|----------|-------|----------|---------|---------|---------|---------|---------|---------|---------|---------|---------|---------|---------|---------|---------|---------|---------|---------|
|          |       | UPPER    |         |         |         |         |         |         | LOWER   |         |         |         |         |         |         |         |         |         |
| A2 to A0 |       | B (UB)   |         |         | R (UR)  |         |         | G (UG)  |         |         | B (LB)  |         |         | R (LR)  |         |         | G (LG)  |         |
|          | 000   | 0000000  | 0000001 | 0000010 | 0000011 | 0000100 | 0000101 | 0000110 | 0000111 | 0001000 | 0001001 | 0001010 | 0001011 | 0001100 | 0001101 | 0001110 | 0001111 | 0010000 |
|          | IOUT0 | IOUT8    | IOUT16  | IOUT0   | IOUT8   | IOUT16  | IOUT0   | IOUT8   | IOUT16  | IOUT0   | IOUT8   | IOUT16  | IOUT0   | IOUT8   | IOUT16  | IOUT0   | IOUT8   | IOUT16  |
|          | 001   | IOUT9    | IOUT17  | IOUT1   | IOUT9   | IOUT17  | IOUT1   | IOUT9   | IOUT17  | IOUT1   | IOUT9   | IOUT17  | IOUT1   | IOUT9   | IOUT17  | IOUT1   | IOUT9   | IOUT17  |
|          | 010   | IOUT2    | IOUT10  | IOUT18  | IOUT2   | IOUT10  | IOUT18  | IOUT2   | IOUT10  | IOUT18  | IOUT2   | IOUT10  | IOUT18  | IOUT2   | IOUT10  | IOUT18  | IOUT2   | IOUT10  |
|          | 011   | IOUT3    | IOUT11  | IOUT19  | IOUT3   | IOUT11  | IOUT19  | IOUT3   | IOUT11  | IOUT19  | IOUT3   | IOUT11  | IOUT19  | IOUT3   | IOUT11  | IOUT19  | IOUT3   | IOUT11  |
|          | 100   | IOUT4    | IOUT12  | IOUT20  | IOUT4   | IOUT12  | IOUT20  | IOUT4   | IOUT12  | IOUT20  | IOUT4   | IOUT12  | IOUT20  | IOUT4   | IOUT12  | IOUT20  | IOUT4   | IOUT12  |
|          | 101   | IOUT5    | IOUT13  | IOUT21  | IOUT5   | IOUT13  | IOUT21  | IOUT5   | IOUT13  | IOUT21  | IOUT5   | IOUT13  | IOUT21  | IOUT5   | IOUT13  | IOUT21  | IOUT5   | IOUT13  |
|          | 110   | IOUT6    | IOUT14  | IOUT22  | IOUT6   | IOUT14  | IOUT22  | IOUT6   | IOUT14  | IOUT22  | IOUT6   | IOUT14  | IOUT22  | IOUT6   | IOUT14  | IOUT22  | IOUT6   | IOUT14  |
|          | 111   | IOUT7    | IOUT15  | IOUT23  | IOUT7   | IOUT15  | IOUT23  | IOUT7   | IOUT15  | IOUT23  | IOUT7   | IOUT15  | IOUT23  | IOUT7   | IOUT15  | IOUT23  | IOUT7   | IOUT15  |

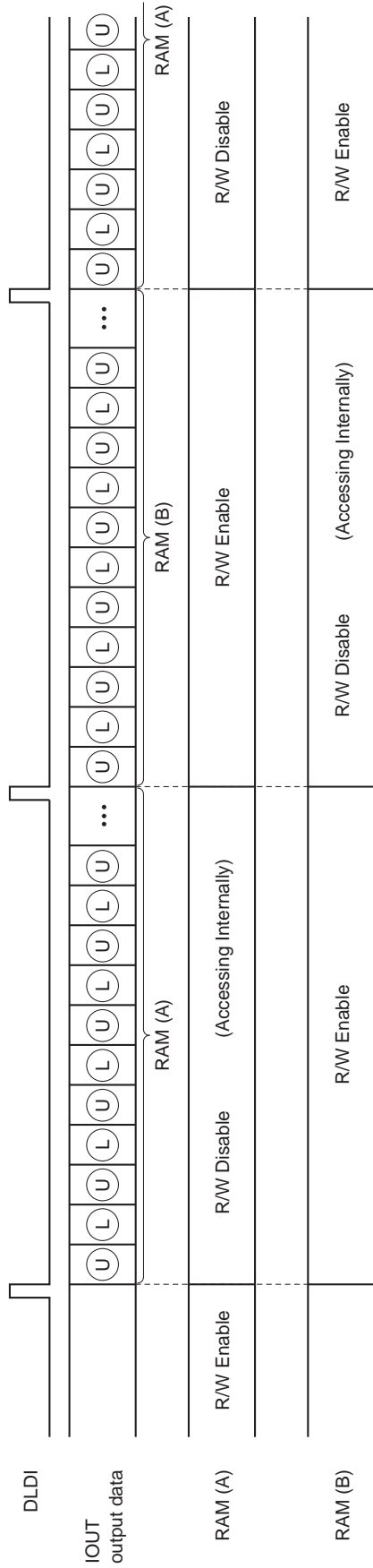
**Drive Current Data**

|          |       | A9 to A3 |         |         |         |         |         |         |         |         |         |         |         |         |         |         |         |         |
|----------|-------|----------|---------|---------|---------|---------|---------|---------|---------|---------|---------|---------|---------|---------|---------|---------|---------|---------|
|          |       | UPPER    |         |         |         |         |         |         | LOWER   |         |         |         |         |         |         |         |         |         |
| A2 to A0 |       | B (UB)   |         |         | R (UR)  |         |         | G (UG)  |         |         | B (LB)  |         |         | R (LR)  |         |         | G (LG)  |         |
|          | 000   | 1000000  | 1000001 | 1000010 | 1000011 | 1000100 | 1000101 | 1000110 | 1000111 | 1001000 | 1001001 | 1001010 | 1001011 | 1001100 | 1001101 | 1001110 | 1001111 | 1010000 |
|          | IOUT0 | IOUT8    | IOUT16  | IOUT0   | IOUT8   | IOUT16  | IOUT0   | IOUT8   | IOUT16  | IOUT0   | IOUT8   | IOUT16  | IOUT0   | IOUT8   | IOUT16  | IOUT0   | IOUT8   | IOUT16  |
|          | 001   | IOUT9    | IOUT17  | IOUT1   | IOUT9   | IOUT17  | IOUT1   | IOUT9   | IOUT17  | IOUT1   | IOUT9   | IOUT17  | IOUT1   | IOUT9   | IOUT17  | IOUT1   | IOUT9   | IOUT17  |
|          | 010   | IOUT2    | IOUT10  | IOUT18  | IOUT2   | IOUT10  | IOUT18  | IOUT2   | IOUT10  | IOUT18  | IOUT2   | IOUT10  | IOUT18  | IOUT2   | IOUT10  | IOUT18  | IOUT2   | IOUT10  |
|          | 011   | IOUT3    | IOUT11  | IOUT19  | IOUT3   | IOUT11  | IOUT19  | IOUT3   | IOUT11  | IOUT19  | IOUT3   | IOUT11  | IOUT19  | IOUT3   | IOUT11  | IOUT19  | IOUT3   | IOUT11  |
|          | 100   | IOUT4    | IOUT12  | IOUT20  | IOUT4   | IOUT12  | IOUT20  | IOUT4   | IOUT12  | IOUT20  | IOUT4   | IOUT12  | IOUT20  | IOUT4   | IOUT12  | IOUT20  | IOUT4   | IOUT12  |
|          | 101   | IOUT5    | IOUT13  | IOUT21  | IOUT5   | IOUT13  | IOUT21  | IOUT5   | IOUT13  | IOUT21  | IOUT5   | IOUT13  | IOUT21  | IOUT5   | IOUT13  | IOUT21  | IOUT5   | IOUT13  |
|          | 110   | IOUT6    | IOUT14  | IOUT22  | IOUT6   | IOUT14  | IOUT22  | IOUT6   | IOUT14  | IOUT22  | IOUT6   | IOUT14  | IOUT22  | IOUT6   | IOUT14  | IOUT22  | IOUT6   | IOUT14  |
|          | 111   | IOUT7    | IOUT15  | IOUT23  | IOUT7   | IOUT15  | IOUT23  | IOUT7   | IOUT15  | IOUT23  | IOUT7   | IOUT15  | IOUT23  | IOUT7   | IOUT15  | IOUT23  | IOUT7   | IOUT15  |

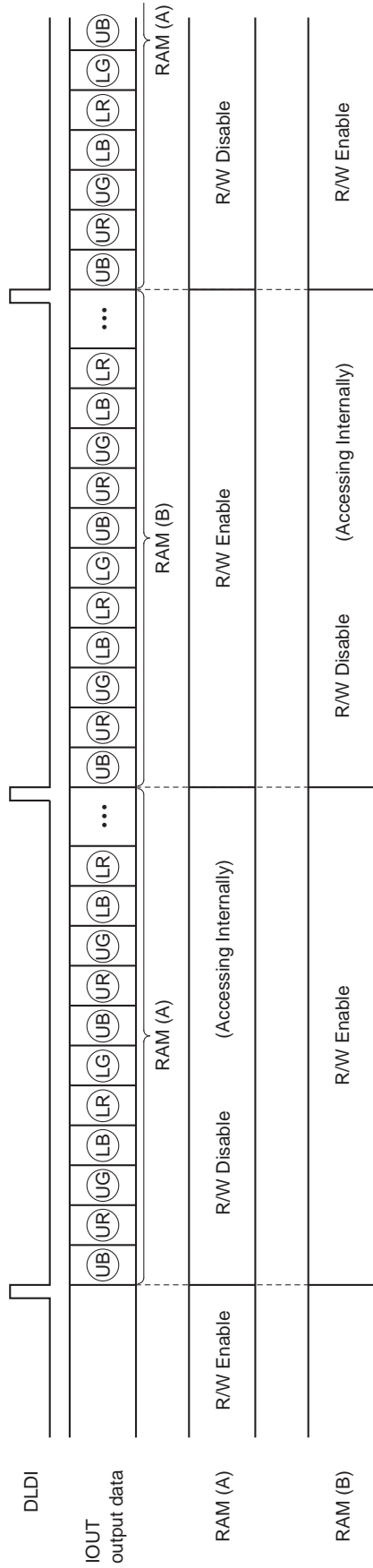
Brightness data: A9 to A3 = 0100100b (24h) A2 to A0 = Don't care

**Table 6. LED Driver Memory Map (Upper/Lower/RGB mode)**

Case 1: Upper/Lower mode



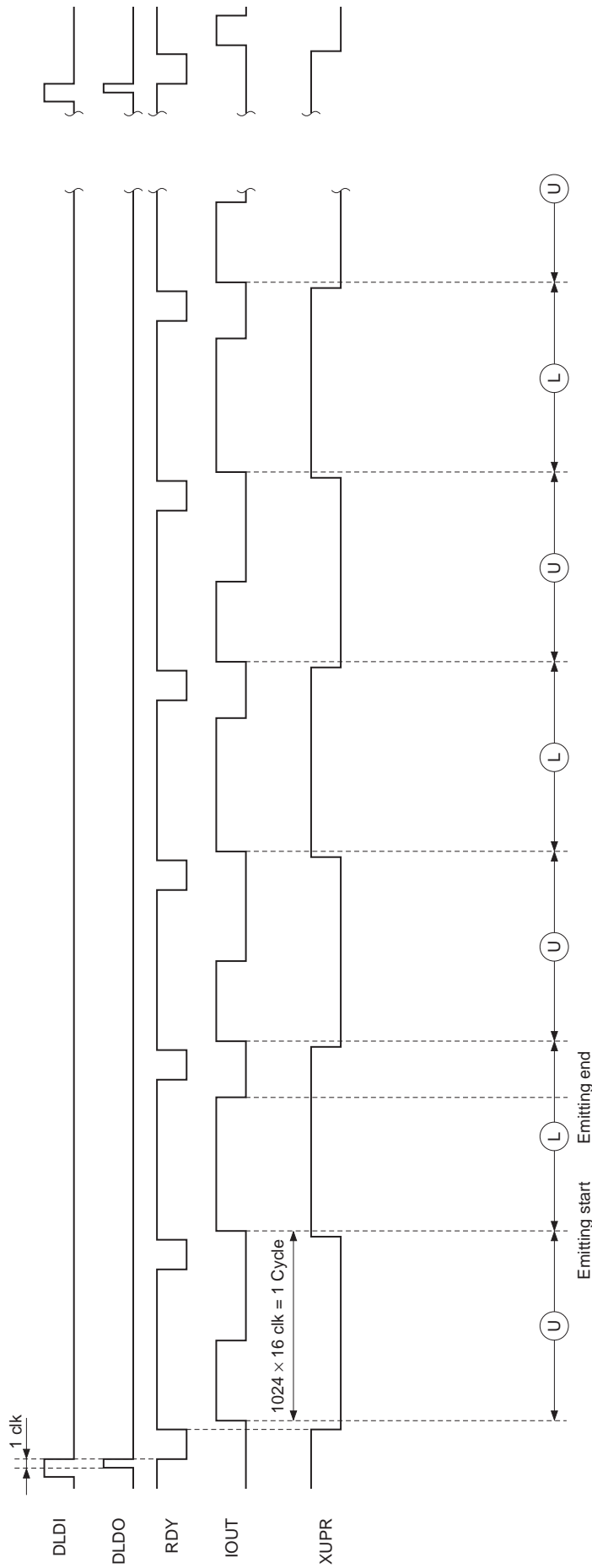
Case 2: Upper/Lower/RGB mode



Partial enlargement diagram (Fig. 7. Timing Chart 2-2)

Note) (U), (L) and other symbols correspond to Tables 5. and 6. LED Driver Memory Map.

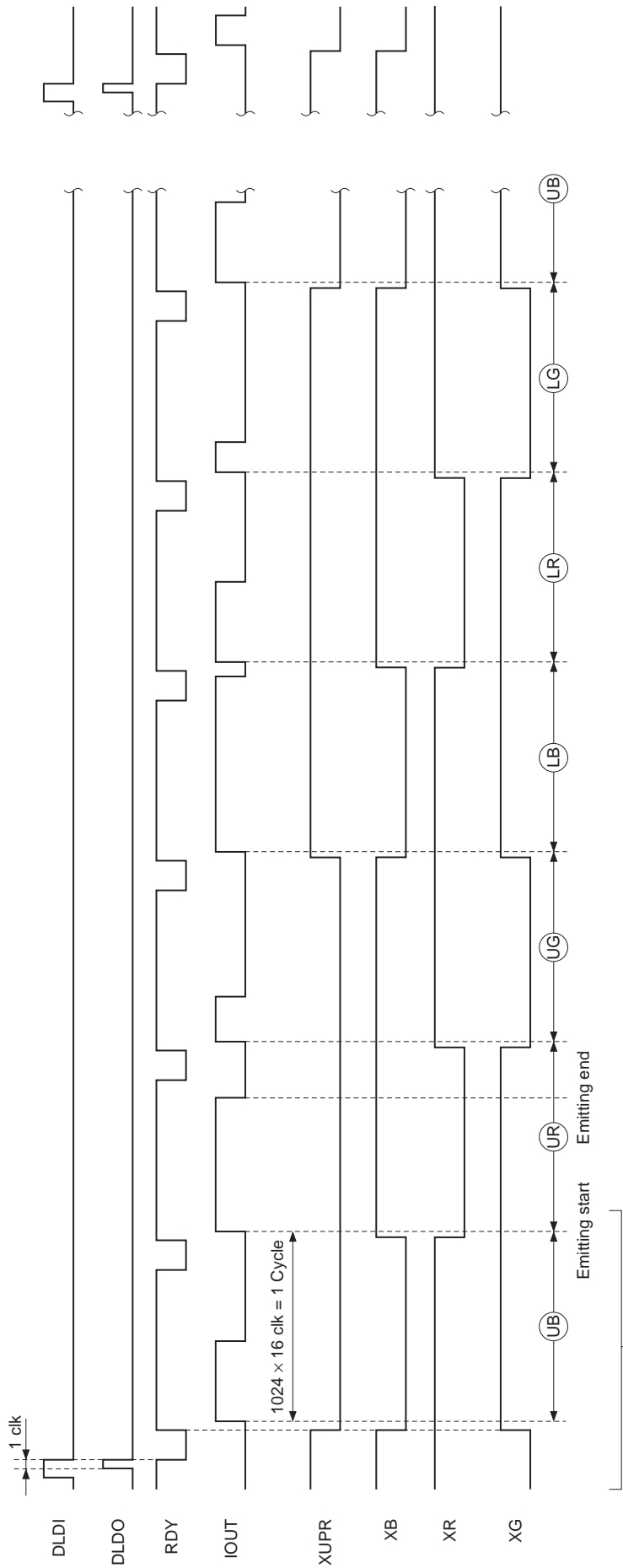
Fig. 5. Timing Chart 1. Relationship between PWM waveform output and luminance RAM (A)/(B) with respect to DLDI input pulse



Partial enlargement diagram (Fig. 8. Timing Chart 3-1)

Note) (U), (L) and other symbols correspond to Tables 5. LED Driver Memory Map.

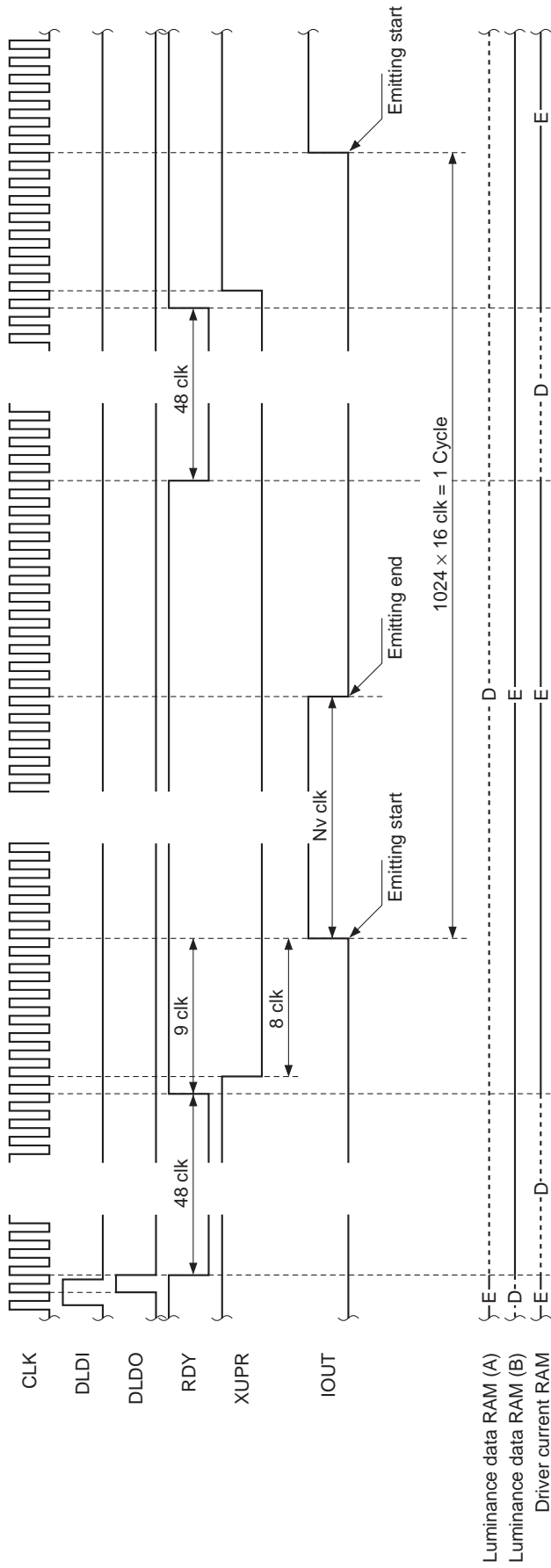
Fig. 6. Timing Chart 2-1. DLDI input to IOOUT output (Upper/Lower mode)



Partial enlargement diagram (Fig. 9. Timing Chart 3-2)

Note) (UB), (LG) and other symbols correspond to Tables 6. LED Driver Memory Map.

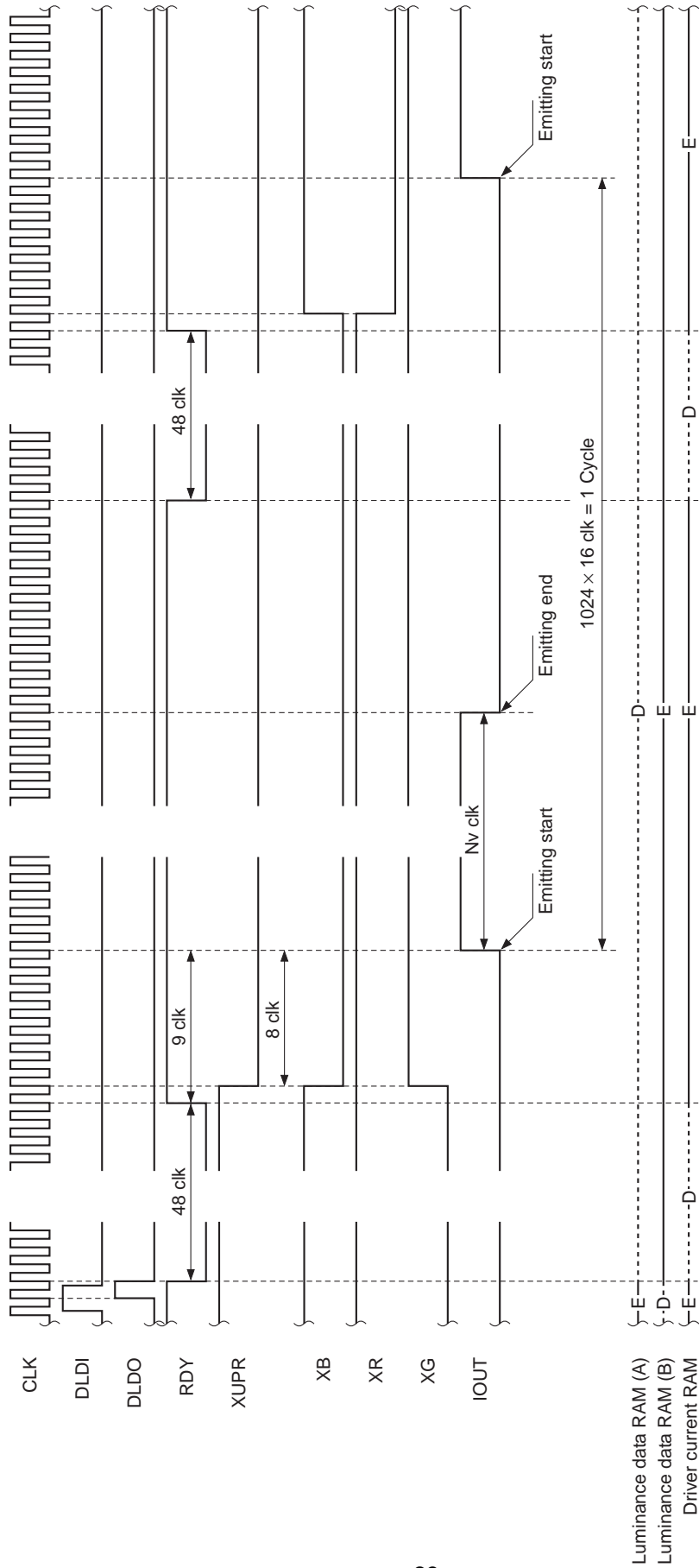
Fig. 7. Timing Chart 2-2. DLDI input to IOOUT output (Upper/Lower/RGB mode)



\* NV = Dv x Db (Dv: Luminance data, Db: Brightness data)

Fig. 8. Timing Chart 3-1. DLDI input to IOOUT output (1 cycle) example (Upper/Lower mode)

E = R/W Enable  
 D = R/W Disable



\*  $NV = Dv \times Db$  (Dv: Luminance data, Db: Brightness data)

Fig. 9. Timing Chart 3-2. DLDI input to IOOUT output (1 cycle) example (Upper/Lower/RGB mode)

E = RW Enable  
 D = RW Disable

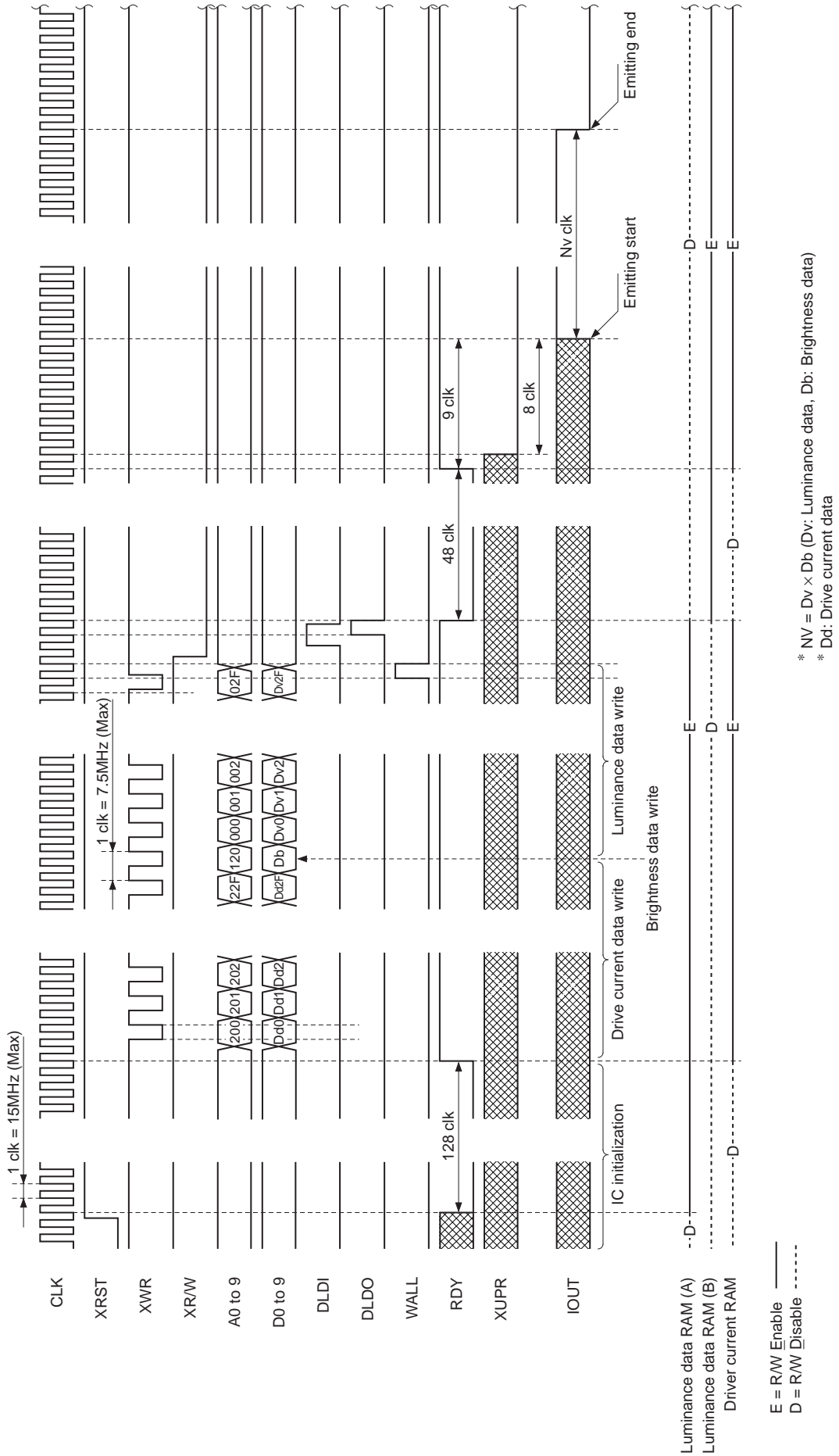
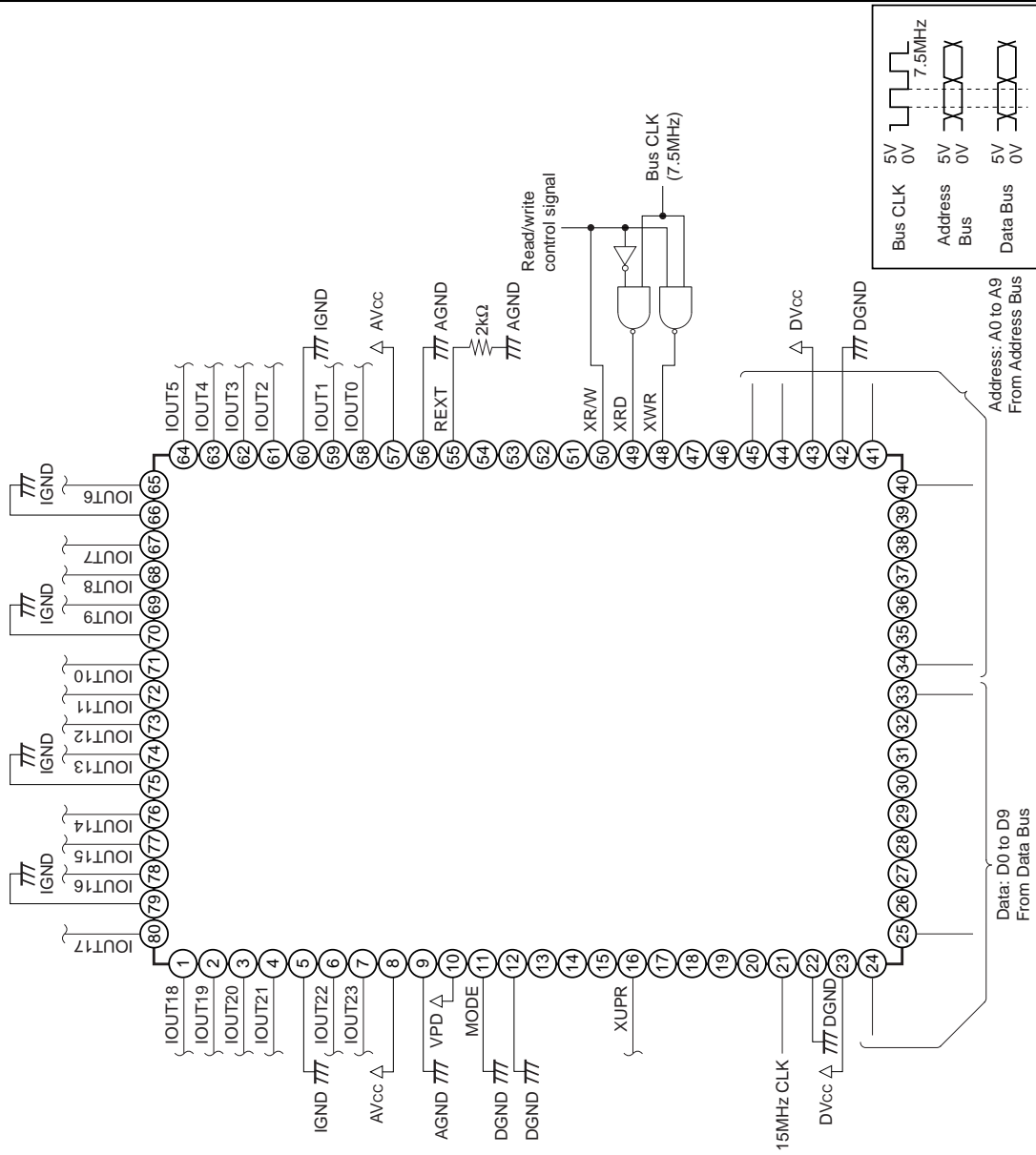
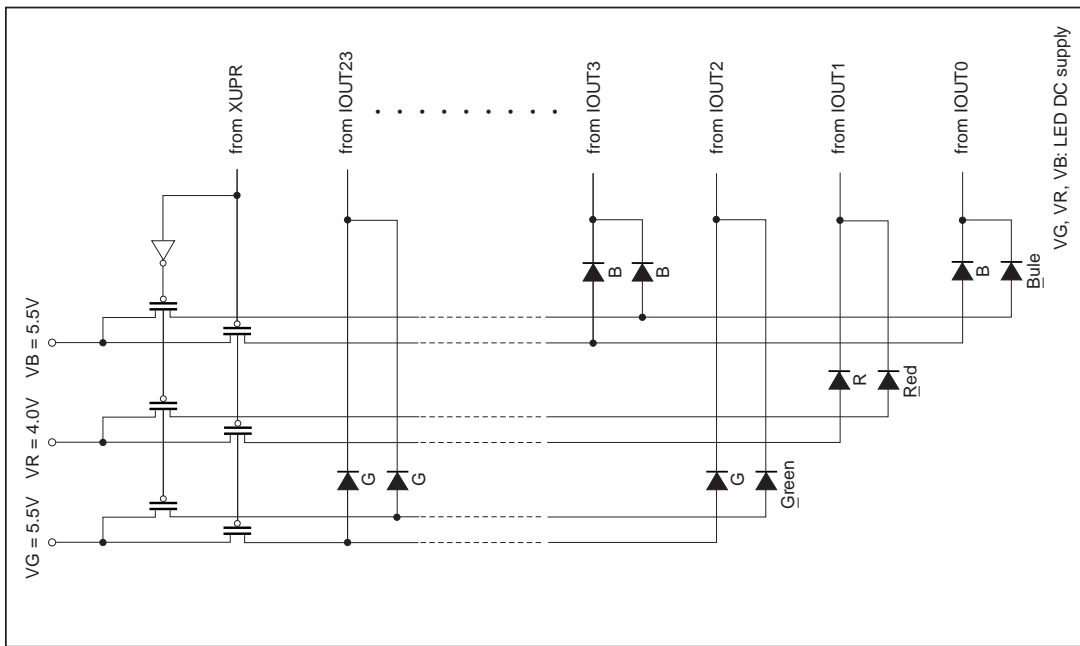


Fig. 10. Timing Chart 4. XRST input to IOOUT output example (Upper/Lower mode)



Application Circuit

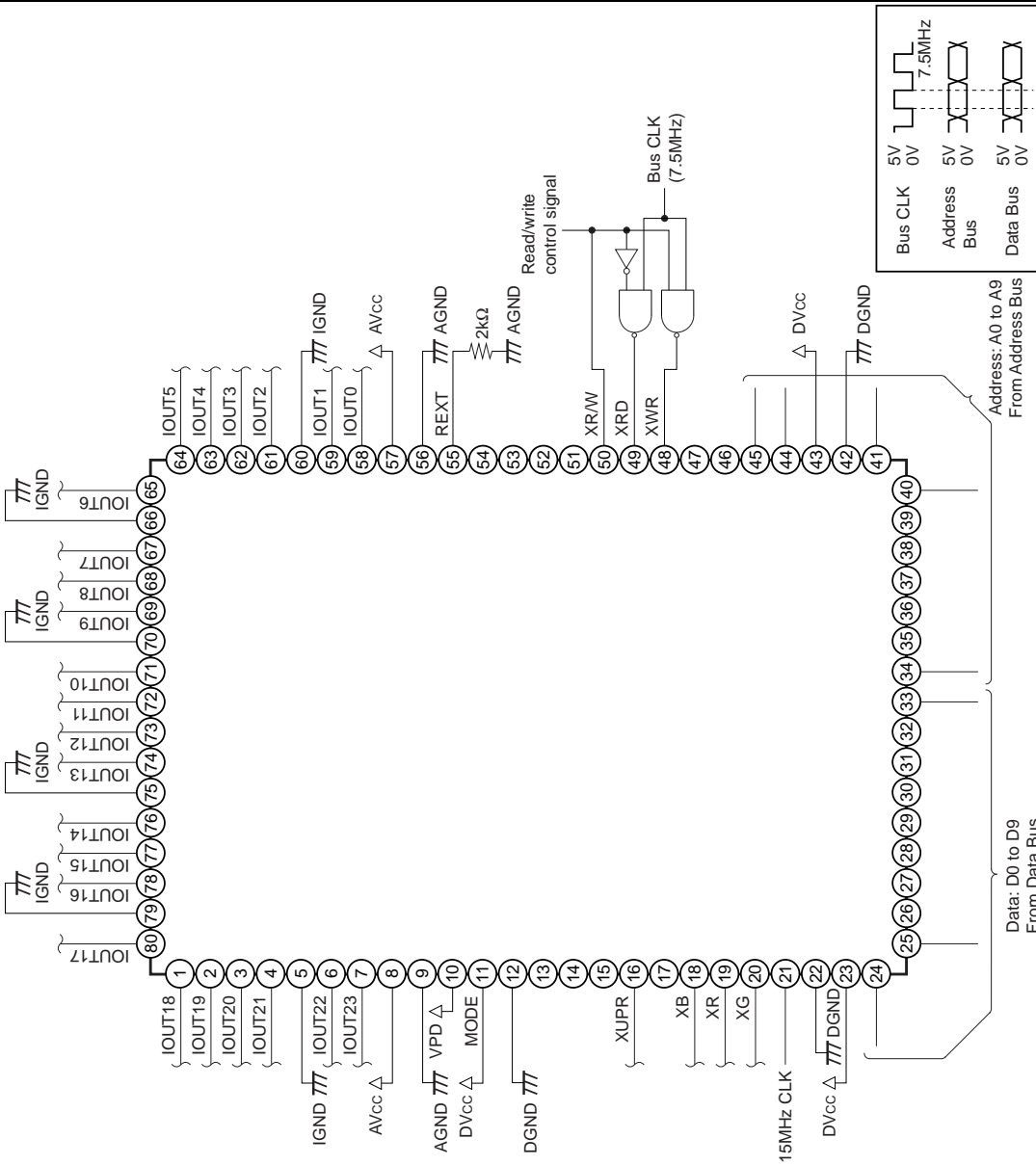
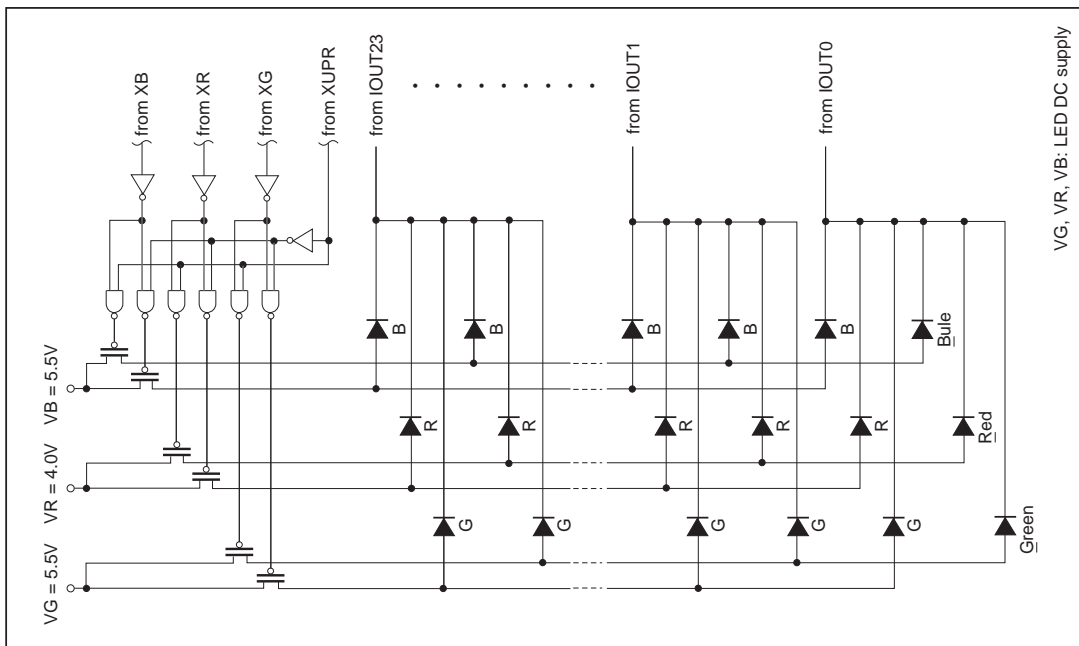
UPPER/LOWER mode



Application circuits shown are typical examples illustrating the operation of the devices. Sony cannot assume responsibility for any problems arising out of the use of these circuits or for any infringement of third party patent and other right due to same.

Fig. 11. Application Circuit (1)

UPPER/LOWER/RGB mode

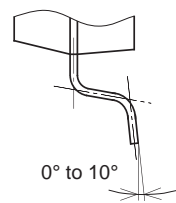
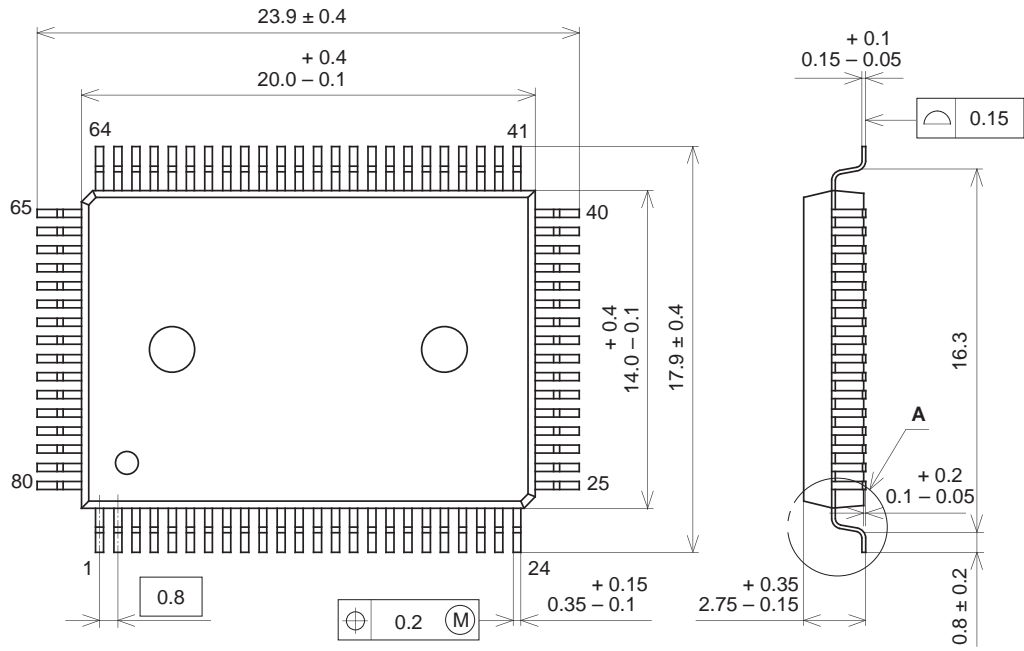


Application circuits shown are typical examples illustrating the operation of the devices. Sony cannot assume responsibility for any problems arising out of the use of these circuits or for any infringement of third party patent and other right due to same.

Fig. 12. Application Circuit (2)

Package Outline Unit: mm

80PIN QFP (PLASTIC)



DETAIL A

|            |               |
|------------|---------------|
| SONY CODE  | QFP-80P-L01   |
| EIAJ CODE  | QFP080-P-1420 |
| JEDEC CODE | _____         |

PACKAGE STRUCTURE

|                  |                 |
|------------------|-----------------|
| PACKAGE MATERIAL | EPOXY RESIN     |
| LEAD TREATMENT   | SOLDER PLATING  |
| LEAD MATERIAL    | 42/COPPER ALLOY |
| PACKAGE MASS     | 1.6g            |